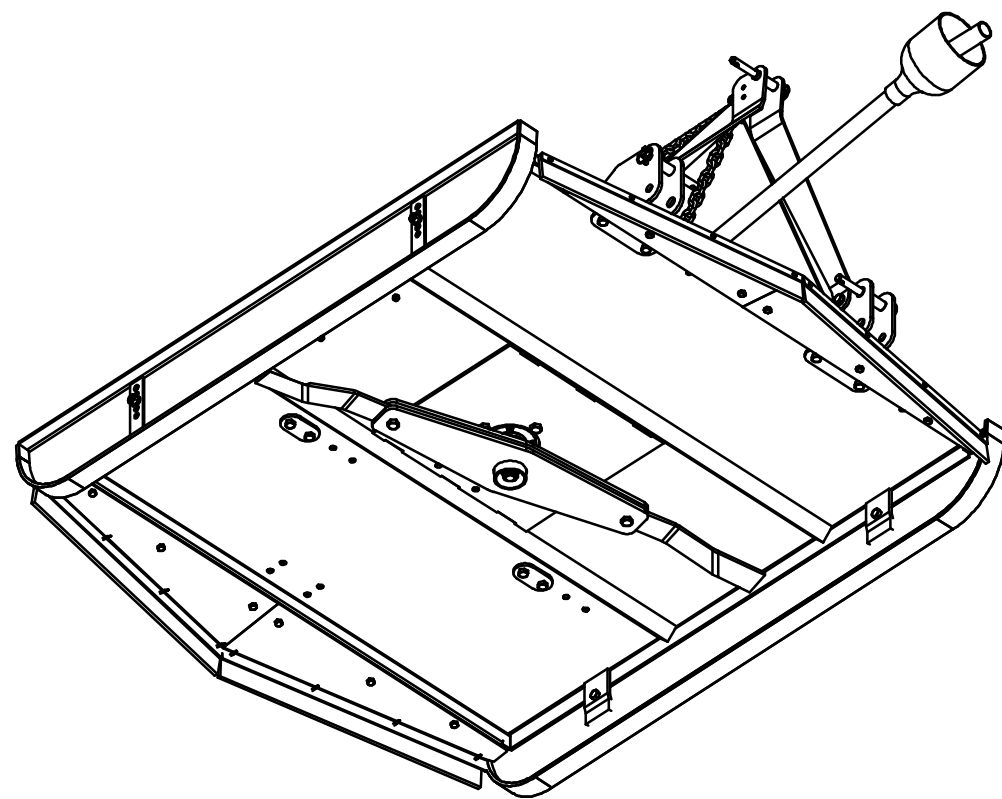


LE-70 ROTARY SLASHER  
ISOMETRIC VIEW



LE-70 ROTARY SLASHER  
UNDERSIDE VIEW

ITEM NO.	QTY.	PART NUMBER	DESCRIPTION	DRAWING NUMBER	WEIGHT IN kg	VENDOR	VENDOR PART No
1	1	6165-2	LE-70 DECK	LE-70 - 100	197.12		
2	1	LE-60_221 LH	BOLTED HEADSTOCK ASSEMBLY - LH	LE-60_221	17.18		
3	1	LE-60_220 RH	BOLTED HEADSTOCK ASSEMBLY - RH	LE-60_220	17.18		
4	2	LS70-SKD	LS SERIES SIDE SKID	06165-5	36.51		
5	1	HLS115	MKII HEADSTOCK WELDED ASSY	HLS - 115	11.50		
6	2	LE-70_222	RUBBER GUARD ASSEMBLY	LE-70_222	12.52		
7	1	LE-70_800	LE-60 BLADE ASSEMBLY	SBR12-800	33.00		
8	1	PTO001	63" 6 SPLINE PTO SHAFT	Purchased	15.51	Bare Co	AB8105
9	1	COV001	10" COVER	Purchased	7.33	Bare Co	AS8409
10	1	GBB6667_1.93	B6667 GEARBOX - 1:1.93	Purchased	27.96	Bare-Co	B6667
11	1	FQB3605	60HP CLUTCH	Purchased	7.31	Bare Co	7790.00
12	2	06171-3_6	H.STOCK B.PLATE - FRONT	06171-3	0.87		
13	2	06171-4_10	H.STOCK BACK PLATE - REAR	06171-4	0.43		
14	4	LE-70_027	RUBBER GUARD	LE-70_027	0.95		
15	14	HNN16M	M16 NYLOC NUT	Purchased	0.01	TBA	TBA
16	16	WF16M	M16 FLAT WASHER	Purchased	0.01	TBA	TBA
17	8	HHB45M16	M16 x 45 HEX BOLT	Purchased	0.11	TBA	TBA
18	2	LPB100	LOWER LIFT PIN. CAT 2	Purchased	0.76	Bare Co	B 100
19	1	LPB2971	TOP LIFT PIN. CAT 2	Purchased	0.56	Bare Co	B 2971
20	3	LP10D	10mm LYNCH PIN	Purchased	0.05	Bare Co	TBA
21	2	HHB60M12	M12 x 50 HEX HEAD BOLT	Purchased	0.07	TBA	TBA
22	14	HNN12M	M12 NYLOC NUT	Purchased	0.02	TBA	TBA
23	2	DSHC10	10mm D-Shackle	Purchased	0.10	TBA	TBA
24	2	HLS020	SUPPORT CHAIN	HLS - 50	3.11		
25	6	HHB50M16	M16 x 50 HEX BOLT	Purchased	0.12	TBA	TBA
26	12	HHB25M12	M12 x 25 HEX HEAD BOLT	Purchased	0.04	TBA	TBA
27	12	WF12M	M12 FLAT WASHER	Purchased	0.01	TBA	TBA
28	4	HHB3/4UNF-16T2 1/2	3/4UNF x 2 1/2 HEX BOLT	Purchased	0.20	MAPTCO	E273
29	4	WF20MHT	M20 HIGH TENSILE FLAT WASHER	Purchased	0.02	TBA	TBA
30	4	HNN3/4UNF	3/4" UNF HEX NYLOC NUT	Purchased	0.07	MAPTCO	TBA
31	4	LE-70_028	RUBBER GUARD BRACKET	LE-70_028	0.86		
32	2	HHB50M10	M10 x 50 HEX HEAD BOLT	Purchased	0.04	TBA	TBA
33	2	HNN10M	M10 NYLOC NUT	Purchased	0.00	TBA	TBA
34	16	STAP55	SELF TAPPING SCREW	Purchased	0.01	TBA	TBA
35	4	SW12	M12 SP WASHER ZN PL	Purchased	0.01	TBA	TBA
36	1	ENC001	DOCUMENT HOLDER	Purchased	3.59	Bare Co	B1970
37	3	WF8M	M6 FLAT WASHER	Purchased	0.00	TBA	TBA
38	3	HHB25M8	M8 x 25 HEX BOLT	Purchased	0.02	TBA	TBA
39	3	HNN8M	M8 NYLOC NUT	Purchased	0.00	TBA	TBA
40	4	HHB5_16UNC-18T 1/2	5/16UNC x 1/2 HEX BOLT	Purchased	0.01	MAPTCO	TBA
41	2	06170-5_8	SKID PLATE	06170-5	11.58		
42	1	GB005_2	CASTLE NUT - B2665 G.BOX	Purchased	0.22	Bare Co	B2665
43	1	SP 4.0 x 35	6.0 x 50 SPLIT PIN	Purchased	0.00	TBA	TBA

DO NOT SCALE  
IF IN DOUBT - ASK WEIGHT 481938.1 GMS

No.	Description	DWN	CHK	APPD	DATE
P1	PRELIMINARY DRAWING	-	-	-	-
A	APPROVED FOR CONSTRUCTION	-	-	-	-

199 Bridge Street, Oakey, Qld, 4401

**FIELDQUIP**  
Australia owned family business

...smarter gear  
...smarter care

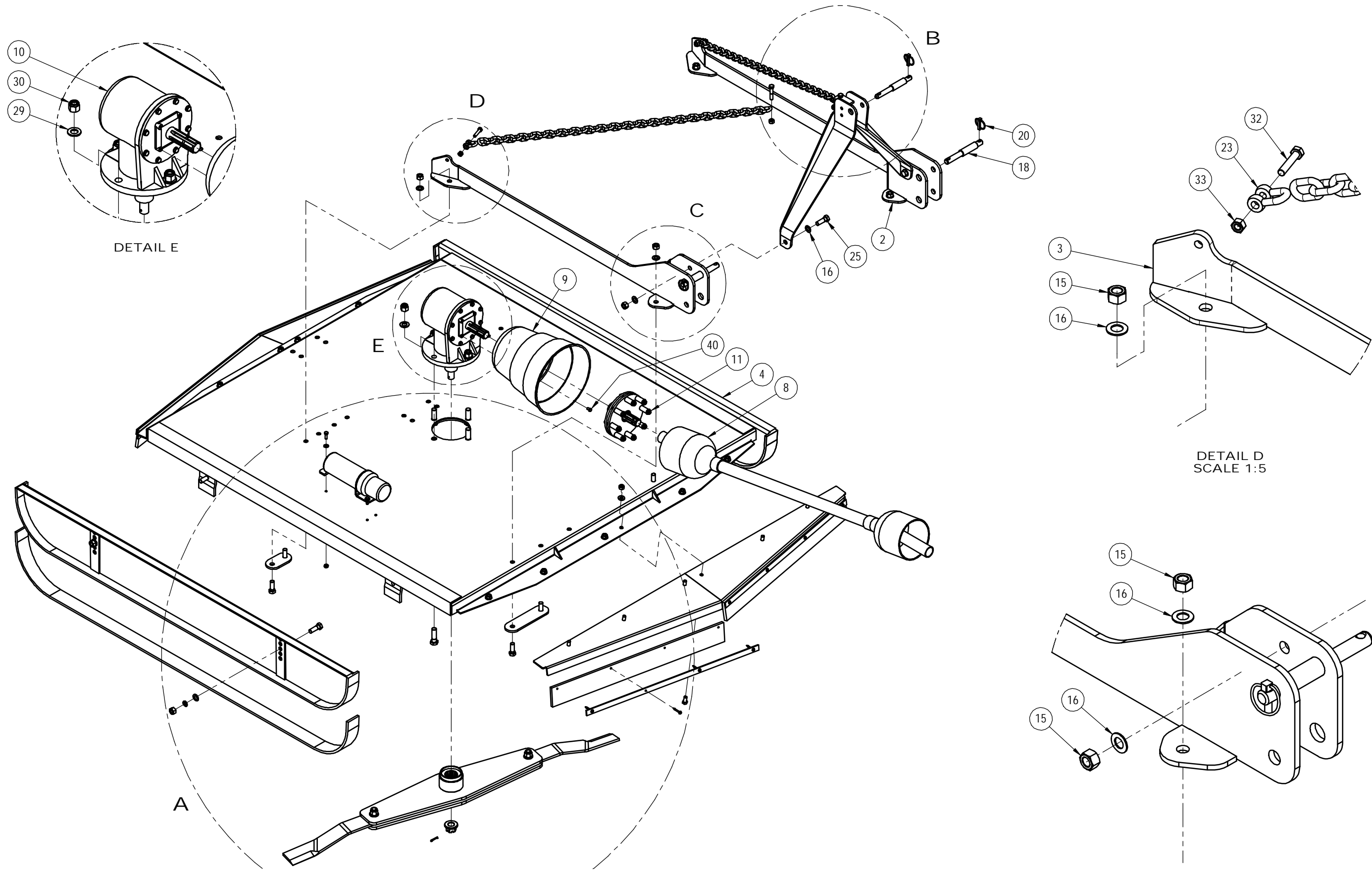
THIS DRAWING IS PRIVATE AND CONFIDENTIAL AND REMAINS THE PROPERTY OF FIELDQUIP.  
RETURNED UPON REQUEST. IT MUST NOT BE COPIED OR LOANED WITHOUT THE CONSENT OF FIELDQUIP.

SCALE	1:20	U.N.O
Design	AWP	08.05.12
Drawn	J.T.	08.05.12
Check	AWP	
Appd.	D.M.	

LE-70 SERIES II ROTARY SLASHER

LE-70 SERIES II

3rd ANGLE PROJECTION U.N.O.		A.3
Fieldquip Drawing Number		REV
LE-70_920		A



LE-70 ROTARY SLASHER  
EXPLODED VIEW

DETAIL D  
SCALE 1:5

DETAIL C  
SCALE 1:5

DO NOT SCALE  
IF IN DOUBT - ASK WEIGHT 481938.1 GMS

No.	Description	DWN	CHK	APPD	DATE
P1	PRELIMINARY DRAWING	-	-	-	-
A	APPROVED FOR CONSTRUCTION	-	-	-	-

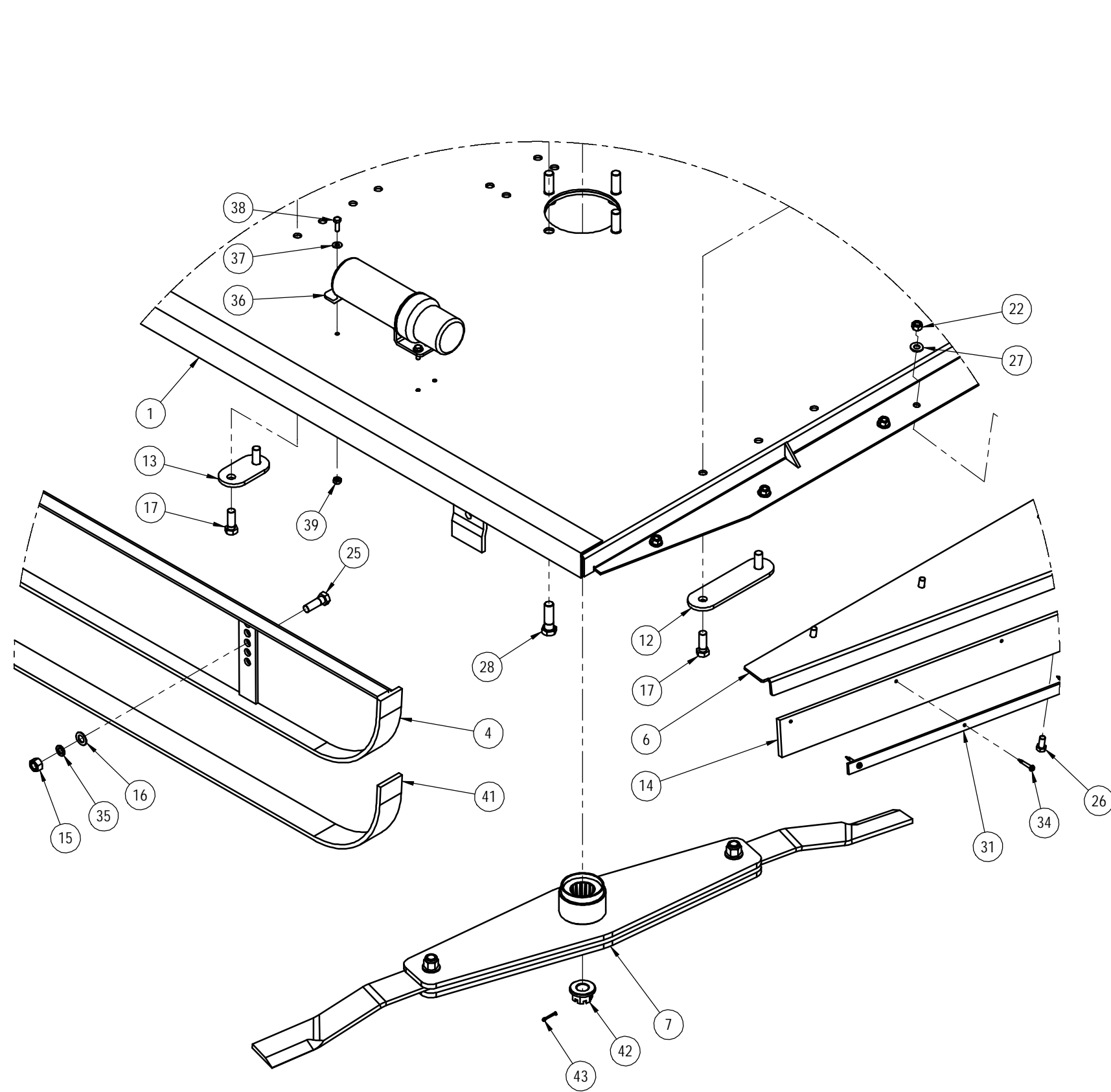
199 Bridge Street, Oakey, Qld, 4401

THIS DRAWING IS PRIVATE AND CONFIDENTIAL AND REMAINS THE PROPERTY OF FIELDQUIP.  
RETURNED UPON REQUEST. IT MUST NOT BE COPIED OR LOANED WITHOUT THE CONSENT OF FIELDQUIP.

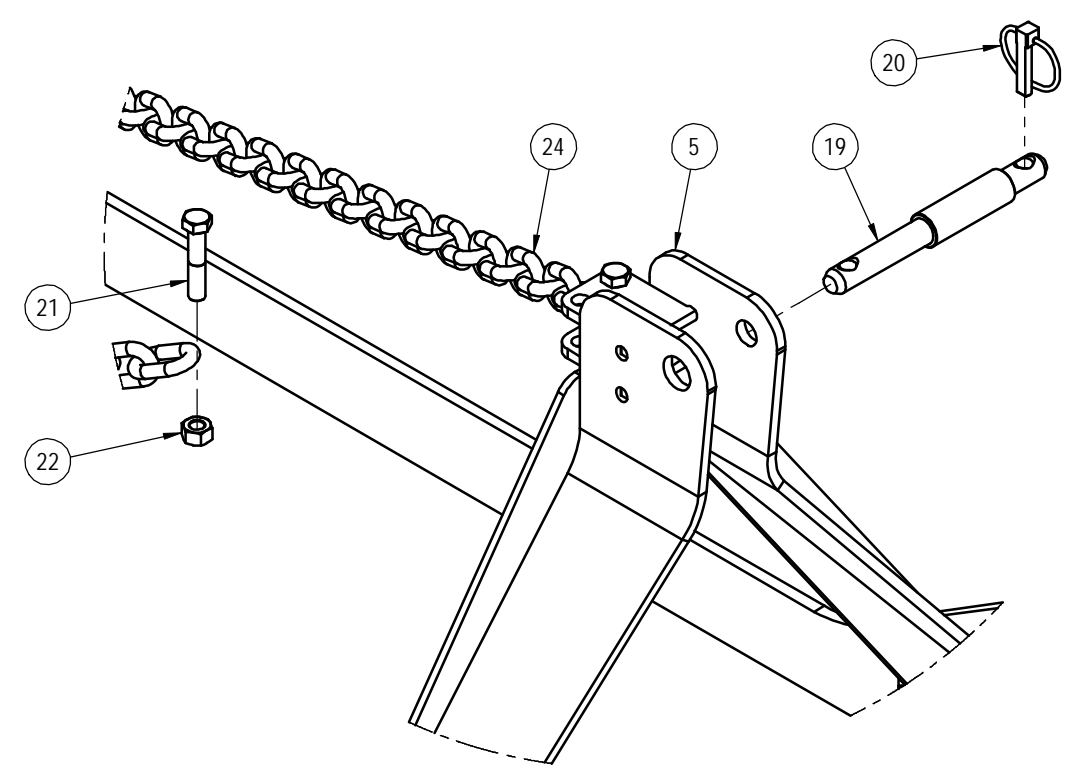
SCALE	1:15	U.N.O
Design	AWP	08.05.12
Drawn	J.T.	08.05.12
Check	AWP	
Appd.	D.M.	

LE-70 SERIES II ROTARY SLASHER
LE-70 SERIES II

3rd ANGLE PROJECTION U.N.O.	A3
Fieldquip Drawing Number	REV
LE-70_920	A



DETAIL A



DETAIL B  
SCALE 1:5

DO NOT SCALE  
IF IN DOUBT - ASK WEIGHT 481938.1 GMS

No.	Description	DWN	CHK	APPD	DATE
P1	PRELIMINARY DRAWING	-	-	-	-
A	APPROVED FOR CONSTRUCTION	-	-	-	-

199 Bridge Street, Oakey, Qld, 4401

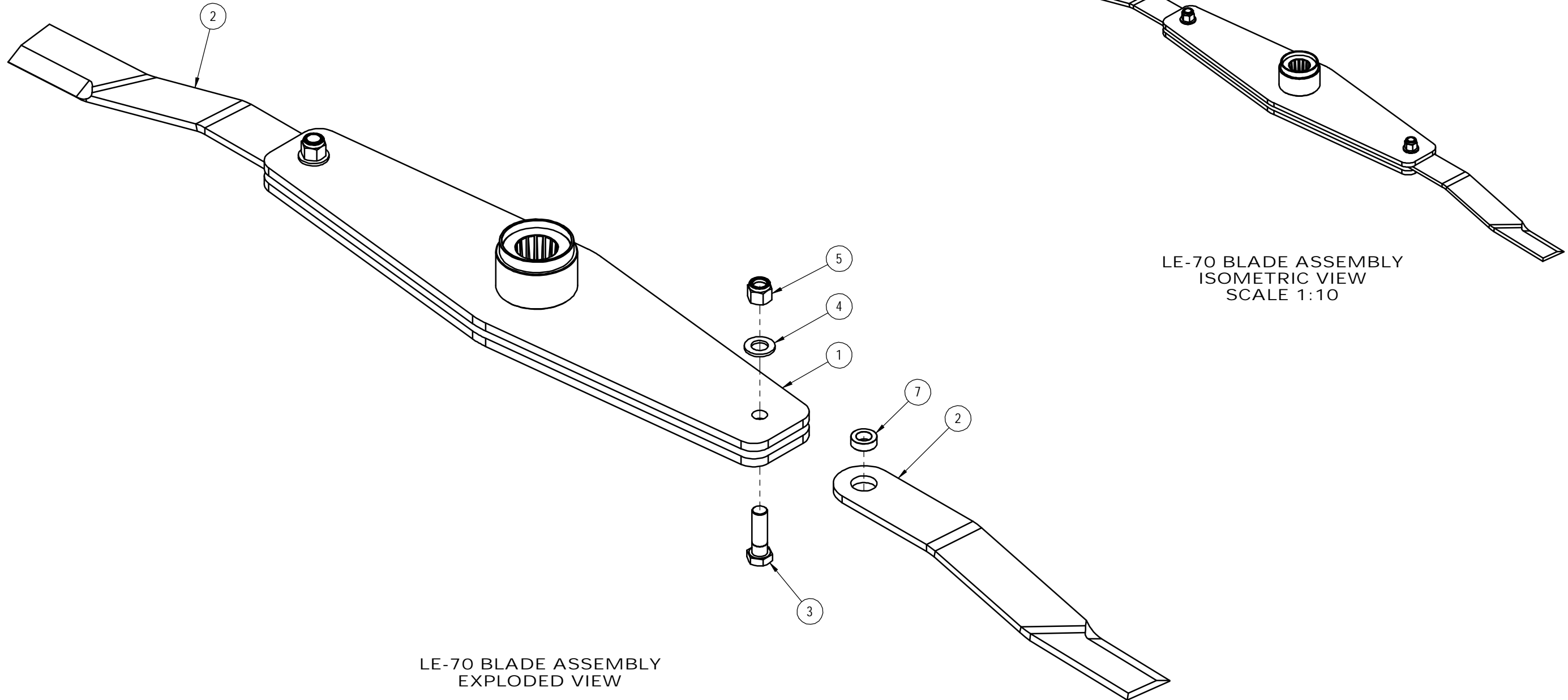
THIS DRAWING IS PRIVATE AND CONFIDENTIAL AND REMAINS THE PROPERTY OF FIELDQUIP.  
RETURNED UPON REQUEST. IT MUST NOT BE COPIED OR LOANED WITHOUT THE CONSENT OF FIELDQUIP.

SCALE	1:10	U.N.O
Design	AWP	08.05.12
Drawn	J.T.	08.05.12
Check	AWP	
Appd.	D.M.	

LE-70 SERIES II ROTARY SLASHER
LE-70 SERIES II

3rd ANGLE PROJECTION U.N.O.	A3
Fieldquip Drawing Number	REV
LE-70_920	A

ITEM NO.	QTY.	PART NUMBER	DESCRIPTION	DRAWING NUMBER	WEIGHT IN kg	VENDOR	VENDOR PART No
1	1	LS70_50	30" CUTTER BAR ASSY	LS70 - 50	27.21		
2	2	6000	SLASHER BLADE	Purchased	2.93	Bare Co	6000.00
3	2	HHB $\frac{3}{4}$ UNF-16T $\frac{1}{2}$	$\frac{3}{4}$ UNF x 2 $\frac{1}{2}$ HEX BOLT	Purchased	0.20	MAPTCO	E273
4	2	WF20MHT	M20 HIGH TENSILE FLAT WASHER	Purchased	0.02	TBA	TBA
5	2	HNN $\frac{3}{4}$ UNF	$\frac{3}{4}$ " UNF HEX NYLOC NUT	Purchased	0.07	MAPTCO	TBA
6	2	BSH251911	BLADE BUSH	Purchased	0.02	TBA	TBA
7	2	BSH321911	32x19x11 BLADE BUSH	Purchased	0.05	TBA	TBA



LE-70 BLADE ASSEMBLY  
ISOMETRIC VIEW  
SCALE 1:10

LE-70 BLADE ASSEMBLY  
EXPLODED VIEW

DO NOT SCALE  
IF IN DOUBT - ASK WEIGHT 33740.0 GMS

No.	Description	DWN	CHK	APPD	DATE
P1	PRELIMINARY DRAWING	-	-	-	-
A	APPROVED FOR CONSTRUCTION	-	-	-	-
B	BUSH CORRECTED	AWP	D.M.	D.M.	04.07.12

199 Bridge Street, Oakey, Qld, 4401

**FIELDQUIP**  
...smarter gear  
...smarter care  
Australian owned family business

THIS DRAWING IS PRIVATE AND CONFIDENTIAL AND REMAINS THE PROPERTY OF FIELDQUIP.  
RETURNED UPON REQUEST. IT MUST NOT BE COPIED OR LOANED WITHOUT THE CONSENT OF FIELDQUIP.

SCALE	1:5	U.N.O
Design	Walsh	-
Drawn	J.T.	07.06.12
Check	AWP	04.07.12
Appd.	D.M.	06.07.12

LE-70 BLADE ASSEMBLY	
LE-70 SERIES II	

3rd ANGLE PROJECTION U.N.O.	A3
Fieldquip Drawing Number	REV
LE70_800	B