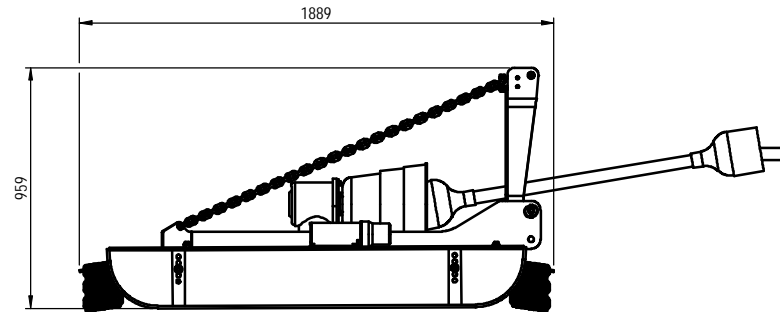
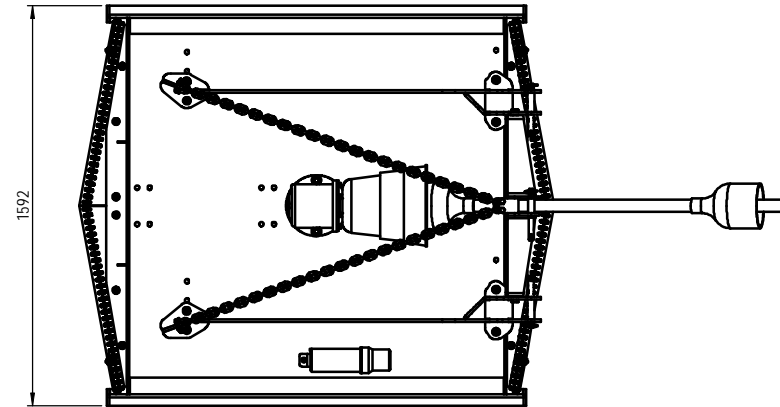


ITEM NO.	QTY.	PART No	DESCRIPTION	DRAWING No	WEIGHT kg	VENDOR	VENDOR No
1	1	06170-2	L SERIES 60 DECK FABRICATION	06170 - 2	145.44		
2	1	LE-60_221	LOWER HEADSTOCK FAB - LH	LE60 - 221	17.20		
3	1	LE-60_220	LOWER HEADSTOCK FAB - RH	LE60 - 220	17.20		
4	2	06170-5	L SERIES 60 SIDE SKID ASSY	06170 - 5	31.08		
5	1	HLS115	MkII HEADSTOCK FABRICATION	HLS - 115	11.50		
6	1	LE-60_800	LE/LS 60 BLADE ASSEMBLY	LE-60 - 800	24.93		
7	1	PTO001	63" 6 SPLINE PTO SHAFT - 6 SERIES	Purchased	15.51	Bare Co	AB6105
8	1	COV001	10" COVER	Purchased	0.99	Bare Co	AS8409
9	1	GBB6667	75 HP GEARBOX 1:1.93	Purchased	27.74	Bare Co	B6667
10	1	FOB3605	60HP SAFETY CLUTCH	Purchased	4.67	Bare Co	B3605
11	2	06171-3_6	H.STOCK B.PLATE - FRONT	06171-3 - 6	0.87		
12	2	06171-4_10	H.STOCK BACK PLATE - REAR	06171-4 - 10	0.43		
13	14	HNN16M	M16 NYLOC NUT	Purchased	0.04	TBA	TBA
14	16	WF16M	M16 FLAT WASHER	Purchased	0.01	TBA	TBA
15	8	HHB45M16	M16 x 45 HEX BOLT	Purchased	0.11	TBA	TBA
16	2	LPB100	LOWER LIFT PIN. CAT 2	Purchased	0.76	Bare Co	B100
17	1	LPB2971	TOP LIFT PIN. CAT 2	Purchased	0.56	Bare Co	B2971
18	3	LP10D	10mm LYNCH PIN	Purchased	0.05	Bare Co	B6
19	2	HHB60M12	M12 x 50 HEX HEAD BOLT	Purchased	0.07	TBA	TBA
20	14	HNN12M	M12 NYLOC NUT	Purchased	0.02	TBA	TBA
21	2	DSHC10	10mm D-Shackle	Purchased	0.10	TBA	TBA
22	2	HLS020	HEADSTOCK CHAIN	HLS - 20	3.11		
23	6	HHB50M16	M16 x 50 HEX BOLT	Purchased	0.12	TBA	TBA
24	12	HHB35M12	M12 x 35 HEX HEAD BOLT	Purchased	0.05	TBA	TBA
25	12	WF12M	M12 FLAT WASHER	Purchased	0.01	TBA	TBA
26	4	HHB3/4UNF-16T2 1/2	3/4" UNF x 2 1/2" HEX BOLT	Purchased	0.20	MAPTCO	E273
27	4	WF20MHT	M20 HIGH TENSILE FLAT WASHER	Purchased	0.02	TBA	TBA
28	4	HNN3/4UNF	3/4" UNF HEX NYLOC NUT	Purchased	0.06	MAPTCO	TBA
29	58	LS80_23	CHAIN - GUARD	LS80 - 23	0.44		
30	2	HHB50M10	M10 x 50 HEX HEAD BOLT	Purchased	0.04	TBA	TBA
31	2	HNN10M	M10 NYLOC NUT	Purchased	0.01	TBA	TBA
32	4	SW12	M12 SPRING WASHER ZN PL	Purchased	0.01	TBA	TBA
33	1	ENC001	DOCUMENT HOLDER	Purchased	0.64	Bare Co	B1970
34	3	HHB25M8	M8 x 25 HEX BOLT	Purchased	0.02	TBA	TBA
35	11	HNN8M	M8 NYLOC NUT	Purchased	0.01	TBA	TBA
36	3	WF8M	M8 FLAT WASHER	Purchased	0.00	TBA	TBA
37	4	HHB5_16UNC-18T 1/2	5/16" UNC x 1 1/2" HEX HEAD BOLT	Purchased	0.01	MAPTCO	TBA
38	1	SP 4.0 x 35	4.0 x 35 SPLIT PIN	Purchased	0.00	TBA	TBA
39	1	GB005_2	CASTLE NUT - GEARBOX	Purchased	0.23	Bare Co	B2665
40	4	LS60-CG	LE LS CHAIN SUPPORT PLATE	LS60 - CG	5.20		
41	2	SD60-033	CHAIN RETAINER ROPE	SD60 - 33	0.41		
42	4	UCLP8mm	8mm U-CLAMP	Purchased	0.08	TBA	TBA



DO NOT SCALE  
IF IN DOUBT - ASK WEIGHT 391683.3 GMS

199 Bridge Street, Oakley, Qld, 4401

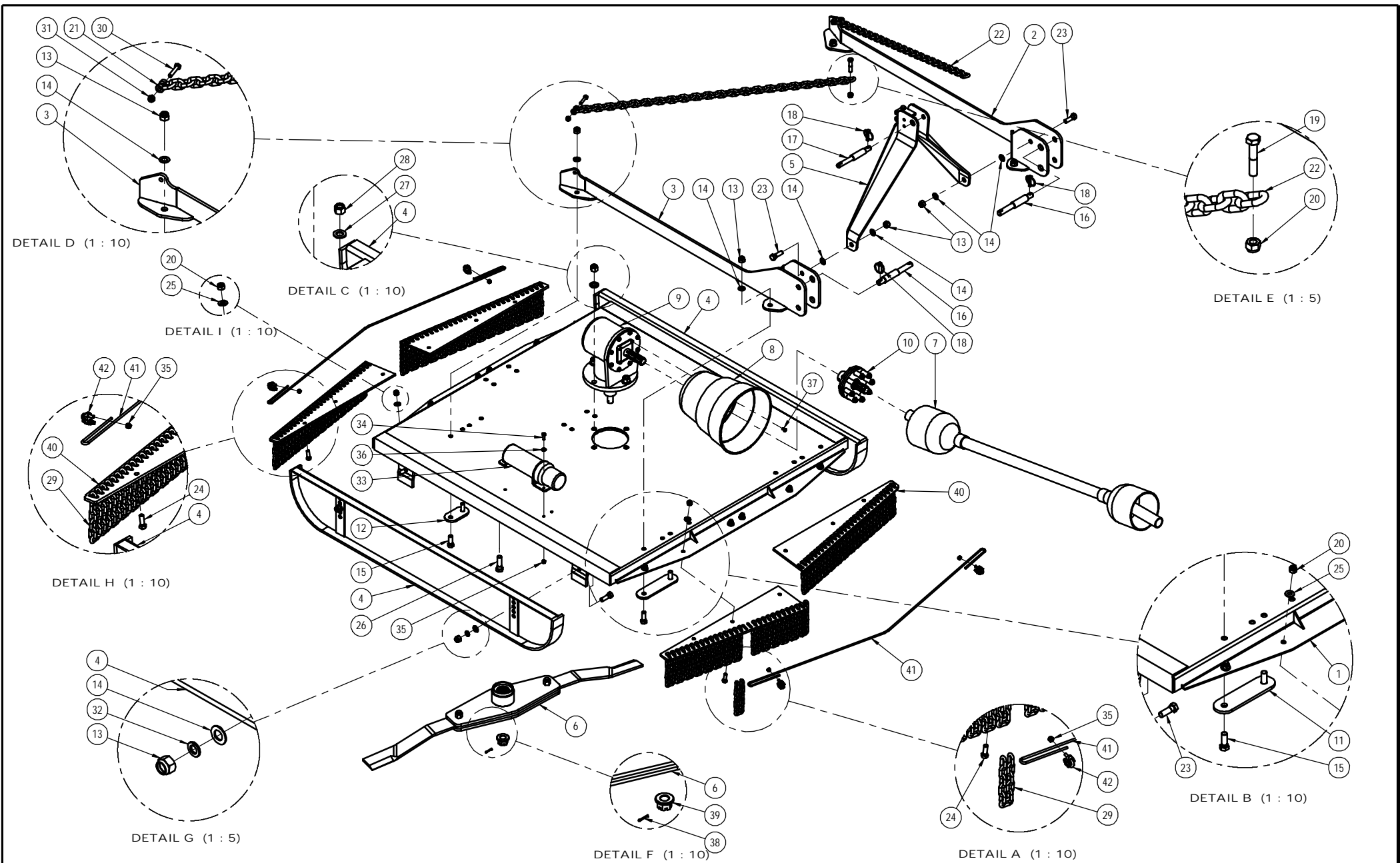
Sheet 1 of 2

No.	Description	DWN	CHK	APPD	DATE
P1	PRELIMINARY DRAWING	-	-	-	-
A	APPROVED FOR CONSTRUCTION	-	-	-	-
B	REDRAWN WITH CORRECTIONS AND CHANGES	AWP	K.G.	K.G.	25.09.16

THIS DRAWING IS PRIVATE AND CONFIDENTIAL AND REMAINS THE PROPERTY OF FIELDQUIP. RETURNED UPON REQUEST. IT MUST NOT BE COPIED OR LOANED WITHOUT THE CONSENT OF FIELDQUIP.

SCALE	1:20	U.N.O
Design	WB	-
Drawn	JT	27.04.12
Check	AWP	29.04.12
Appd.	D.M.	26.09.16

LE-60 SERIES II ROTARY SLASHER		3rd ANGLE PROJECTION U.N.O.	A3
LE-60 SERIES II SLASHER		Fieldquip Drawing Number	REV
		LE60 - 920	B



DO NOT SCALE  
IF IN DOUBT - ASK      WEIGHT 391683.3 GMS

199 Bridge Street, Oakley, Qld, 4401

Sheet 2 of 2

No.	Description	DWN	CHK	APPD	DATE
P1	PRELIMINARY DRAWING	-	-	-	-
A	APPROVED FOR CONSTRUCTION	-	-	-	-
B	REDRAWN WITH CORRECTIONS AND CHANGES	AWP	K.G.	K.G.	25.09.16

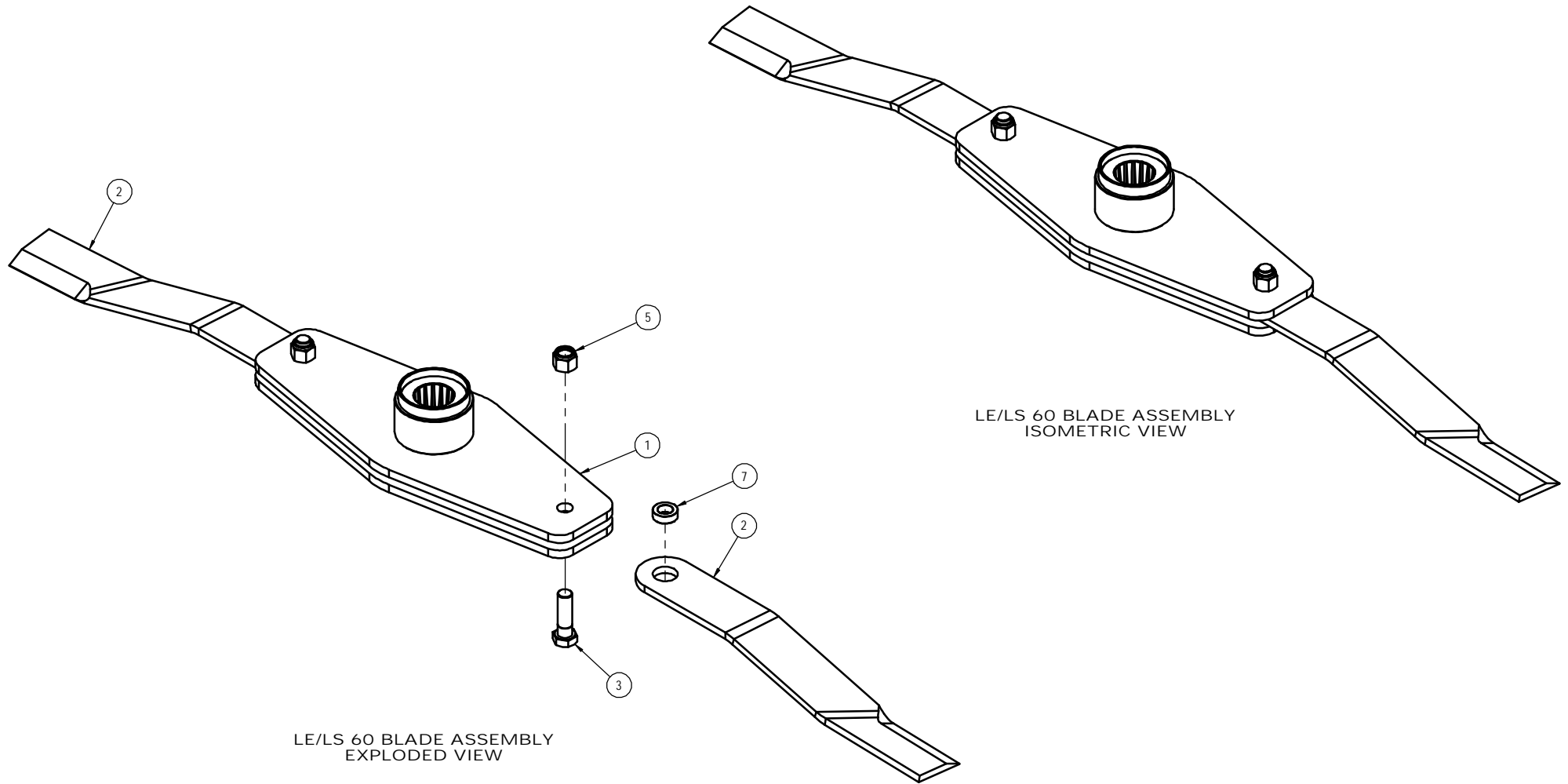
THIS DRAWING IS PRIVATE AND CONFIDENTIAL AND REMAINS THE PROPERTY OF FIELDQUIP. RETURNED UPON REQUEST. IT MUST NOT BE COPIED OR LOANED WITHOUT THE CONSENT OF FIELDQUIP.

SCALE	1:15	U.N.O
Design	WB	-
Drawn	JT	27.04.12
Check	AWP	29.04.12
Appd.	D.M.	26.09.16

LE-60 SERIES II ROTARY SLASHER  
LE-60 SERIES II SLASHER

3rd ANGLE PROJECTION U.N.O.	A3
Fieldquip Drawing Number	REV
LE60 - 920	B

ITEM NO.	QTY.	PART NUMBER	DESCRIPTION	DRAWING NUMBER	WEIGHT IN kg	VENDOR	VENDOR PART No
1	1	LS60_50	18½" CUTTER BAR ASSY	LS60 - 50	18.47		
2	2	6000	SLASHER BLADE	Purchased	2.93	Bare Co	B6000
3	2	HHB¾UNF-16T2½	¾" UNF x 2½" HEX BOLT	Purchased	0.20	MAPTCO	E273
4	2	WF20MHT	M20 HIGH TENSILE FLAT WASHER	Purchased	0.02	TBA	TBA
5	2	HNN¾UNF	¾" UNF HEX NYLOC NUT	Purchased	0.06	MAPTCO	TBA
6	2	BSH251911	BLADE BUSH	Purchased	#VALUE!	TBA	TBA
7	2	BSH321911	BLADE BUSH	BSH-321911	0.04		



LE/LS 60 BLADE ASSEMBLY  
ISOMETRIC VIEW

LE/LS 60 BLADE ASSEMBLY  
EXPLODED VIEW

DO NOT SCALE  
IF IN DOUBT - ASK WEIGHT 24932.0 GMS

199 Bridge Street, Oakay, Qld, 4401

Sheet 1 of 1

No.	Description	DWN	CHK	APPD	DATE
P1	PRELIMINARY DRAWING	-	-	-	-
A	APPROVED FOR CONSTRUCTION	-	-	-	-
B	BUSH CORRECTED	AWP	D.M.	D.M.	04.07.12
C	HT WASHER REMOVED	AWP	K.G.	K.G.	23.09.16

**FIELDQUIP**  
Australian owned family business

THIS DRAWING IS PRIVATE AND CONFIDENTIAL AND REMAINS THE PROPERTY OF FIELDQUIP. RETURNED UPON REQUEST. IT MUST NOT BE COPIED OR LOANED WITHOUT THE CONSENT OF FIELDQUIP.

SCALE	1:5	U.N.O
Design	WB	-
Drawn	J.T.	07.06.12
Check	AWP	04.07.12
Appd.	D.M.	06.07.12

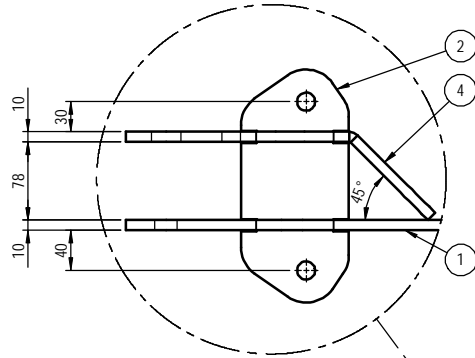
LE/LS 60 BLADE ASSEMBLY

LE/LS 60 SERIES II SLASHER

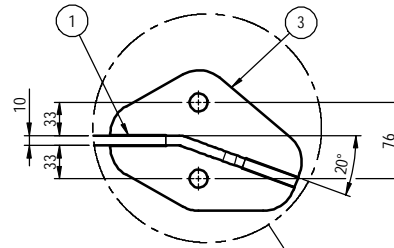
3rd ANGLE PROJECTION U.N.O.	A3
Fieldquip Drawing Number	REV
LE-60 - 800	C

ITEM NO.	QTY.	PART NUMBER	DRAWING NUMBER	WEIGHT IN kg	DESCRIPTION
1	1	LE-60_021	LE60 - 21	10.9	LIFT PLATE - LH
2	1	LE-60_020	LE60 - 20	1.3	HEADSTOCK FRONT DECK PLATE
3	1	LE-60_024	LE60 - 24	1.1	HEADSTOCK REAR DECK PLATE
4	1	LE-60_026	LE60 - 26	3.9	INNER LIFT PLATE - LH

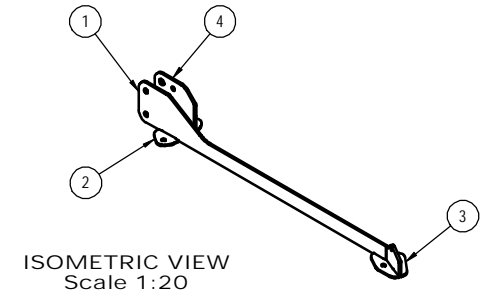
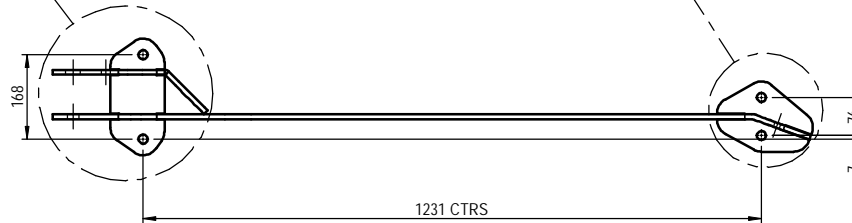
NOTE: - ALL WELDS 6 CFW UNO



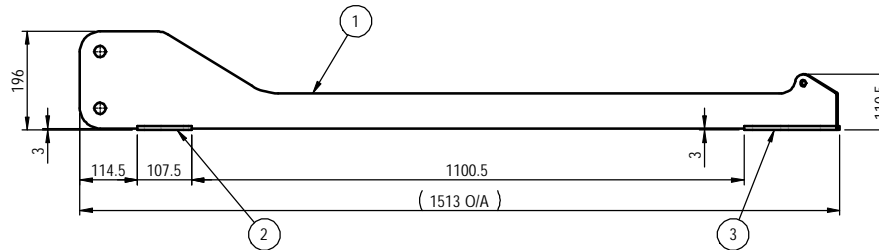
DETAIL A (1 : 5)



DETAIL B (1 : 5)



ISOMETRIC VIEW  
Scale 1:20



DO NOT SCALE  
IF IN DOUBT - ASK WEIGHT 17198.5 GMS

199 Bridge Street, Oakey, Qld, 4401

Sheet 1 of 1

No.	Description	DWN	CHK	APPD	DATE
P1	PRELIMINARY DRAWING	-	-	-	-
A	APPROVED FOR CONSTRUCTION	-	-	-	-

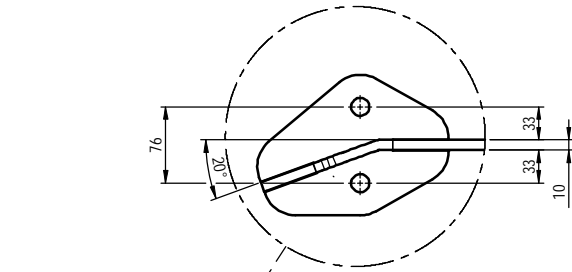
  
**FIELDQUIP**  
Automation owned family business  
THIS DRAWING IS PRIVATE AND CONFIDENTIAL AND REMAINS THE PROPERTY OF FIELDQUIP. RETURNED UPON REQUEST. IT MUST NOT BE COPIED OR LOANED WITHOUT THE CONSENT OF FIELDQUIP.

SCALE	1:10	U.N.O
Design	AWP	APR 2012
Drawn	AWP	20.06.16
Check	MG	21.06.16
Appd.	G.R.	21.06.16

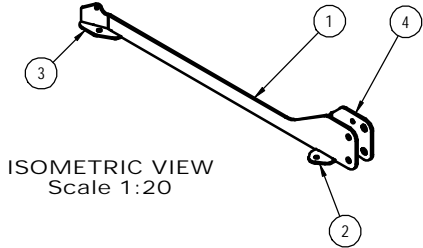
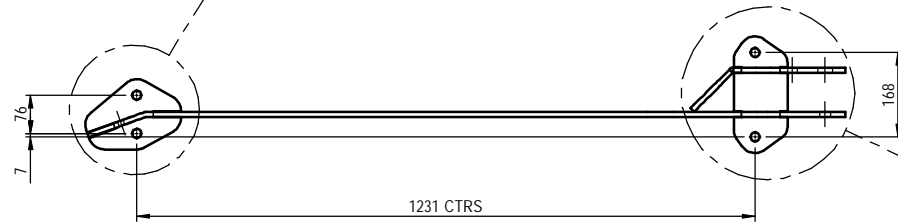
LOWER HEADSTOCK FAB - LH  
LE CHAIN HEADSTOCK

3rd ANGLE PROJECTION U.N.O.	A3
Fieldquip Drawing Number	REV
LE60 - 221	A

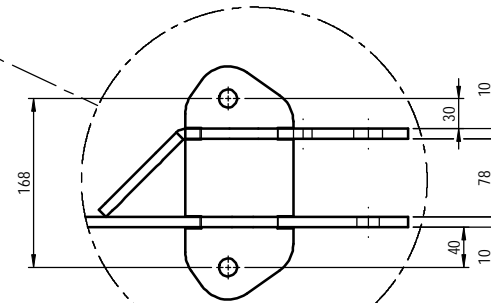
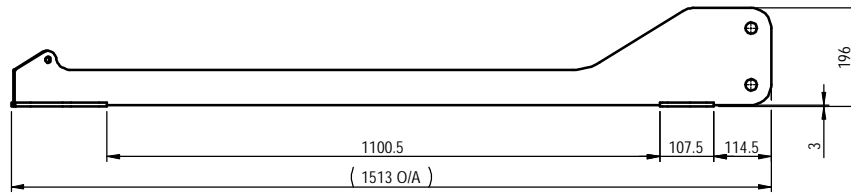
ITEM NO.	QTY.	PART NUMBER	DRAWING NUMBER	WEIGHT IN kg	DESCRIPTION
1	1	LE-60_022	LE60 - 22	10.9	LIFT PLATE - RH
2	1	LE-60_020	LE60 - 20	1.3	HEADSTOCK FRONT DECK PLATE
3	1	LE-60_024	LE60 - 24	1.1	HEADSTOCK REAR DECK PLATE
4	1	LE-60_025	LE60 - 25	3.9	INNER LIFT PLATE - RH



DETAIL B (1 : 5)



ISOMETRIC VIEW  
Scale 1:20



DETAIL A (1 : 5)

DO NOT SCALE  
IF IN DOUBT - ASK WEIGHT 17198.5 GMS

199 Bridge Street, Oakley, Qld, 4401

Sheet 1 of 1

No.	Description	DWN	CHK	APPD	DATE
P1	PRELIMINARY DRAWING	-	-	-	-
A	APPROVED FOR CONSTRUCTION	-	-	-	-

  
**FIELDQUIP**  
Australian owned family business

THIS DRAWING IS PRIVATE AND CONFIDENTIAL AND REMAINS THE PROPERTY OF FIELDQUIP. RETURNED UPON REQUEST. IT MUST NOT BE COPIED OR LOANED WITHOUT THE CONSENT OF FIELDQUIP.

SCALE	1:10	U.N.O
Design	AWP	APR 2012
Drawn	AWP	20.06.16
Check	MG	21.06.16
Appd.	G.R.	21.06.16

**LOWER HEADSTOCK FAB - RH**  
  
**LE CHAIN HEADSTOCK**

3rd ANGLE PROJECTION U.N.O.	A3
Fieldquip Drawing Number	REV
LE60 - 220	A