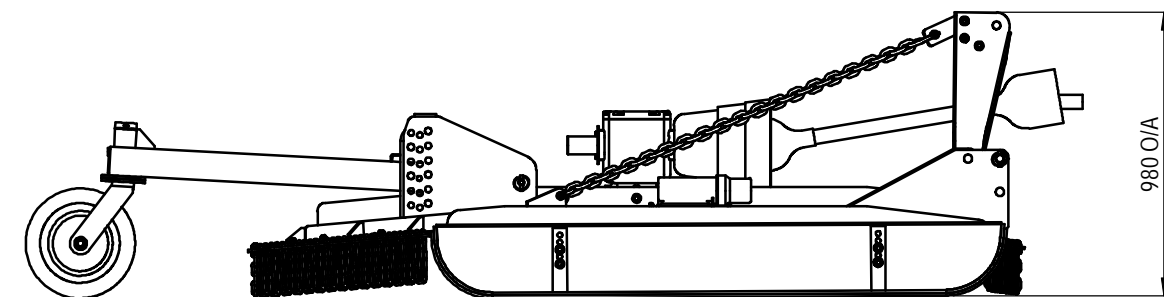
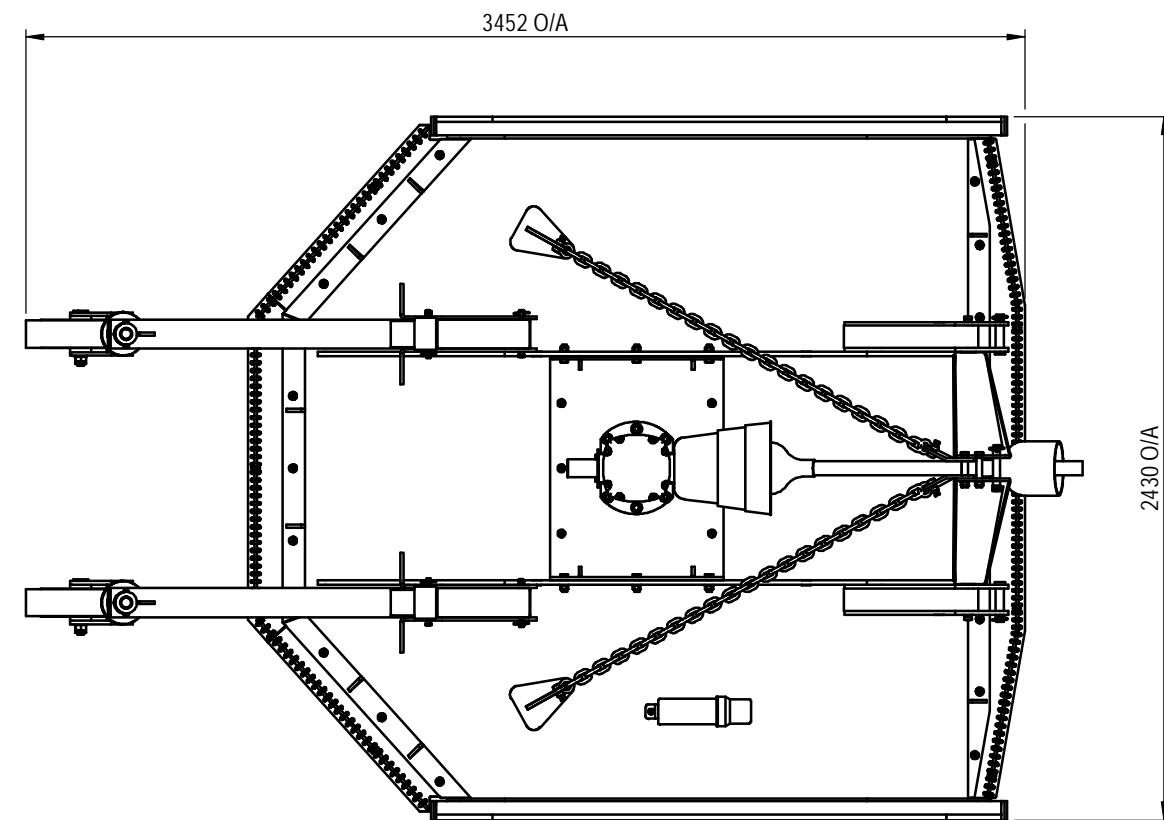


ITEM NO.	QTY.	PART No	DESCRIPTION	DRAWING No	WEIGHT kg	VENDOR	VENDOR No
1	1	XTR90-100	XTREME 90 DECK FABRICATION	XTR90 - 100	537.15		
2	2	XTR90-102	MODIFIED L70 SIDE SKID ASSY	XTR90 - 102	48.10		
3	2	HD90-CGF	HD90 CHAIN GUARD - FRONT	HD90 - CGF	10.84		
4	1	HD90-CGRC	HD90 CHAIN GUARD - REAR CTR	HD90 - CGRC	12.73		
5	2	HD90-CGRS	HD90 CHAIN GUARD - REAR SIDE	HD90 - CGRS	8.28		
6	1	XTR90-101	GEARBOX MOUNT PLATE FAB.	XTR90 - 101	56.77		
7	1	HSM020	XTREME HEADSTOCK ARM RH	HSM - 20	12.00		
8	1	HSM021	XTREME HEADSTOCK ARM LH	HSM - 21	12.00		
9	2	HSM012	HEADSTOCK SPACER	HSM - 12	0.08		
10	2	HSM013	CHAIN BRACKET	HSM - 13	0.82		
11	1	HSM019	HEADSTOCK SPACER - SHORT	HSM - 19	0.06		
12	2	WF1IN	1" FLAT WASHER	Purchased	0.04	TBA	TBA
13	2	XTR90-022	HEADSTOCK CHAIN	XTR90 - 22	5.53		
14	4	DSHC13	13mm D-Shackle	Purchased	0.23	TBA	TBA
15	1	GBB9992	GEARBOX 150HP RATIO 1:1.65	Purchased	75.19	Bare Co	B9992
16	1	XTR90-020	90 BLADE SPACER HUB	XTR90 - 20	24.57		
17	1	SLS005_90	SLS005-90 BLADE ASSEMBLY	SLS005 - 90	63.00		
18	1	XTR90-024	CHAIN LOCK ROD - FRONT CTR	XTR90 - 24	0.56		
19	2	XTR90-023	CHAIN LOCK ROD - FRONT SIDE	XTR90 - 23	0.29		
20	93	LS80_23	CHAIN - GUARD	LS80 - 23	0.44		
21	6	UCLP3_8	3/8 U-CLAMP	Purchased	0.09		
22	1	XTR90-026	CHAIN LOCK ROD - REAR CTR	XTR90 - 26	0.51		
23	2	XTR90-025	CHAIN LOCK ROD - REAR SIDE	XTR90 - 25	0.44		
24	3	LPB81	HEADSTOCK PIVOT PIN	Purchased	0.60	Bare Co	B81
25	9	LP10D	10mm LYNCH PIN	Purchased	0.05	Bare Co	B6
26	2	LPB216	HEAVY DUTY PIN - 105	Purchased	0.70	Bare Co	B216
27	3	HHB110M16	M16 x 110 HEX BOLT	Purchased	0.22	TBA	TBA
28	17	WF16M	M16 FLAT WASHER	Purchased	0.01	TBA	TBA
29	9	HNN16M	M16 NYLOC NUT	Purchased	0.04	TBA	TBA
30	1	ENC001	DOCUMENT HOLDER	Purchased	0.64	Bare Co	B1970
31	3	HHB25M8	M8 x 25 HEX BOLT	Purchased	0.02	TBA	TBA
32	3	WF8M	M8 FLAT WASHER	Purchased	0.00	TBA	TBA
33	3	HNN8M	M8 NYLOC NUT	Purchased	0.01	TBA	TBA
34	8	HHB45M16	M16 x 45 HEX BOLT	Purchased	0.11	TBA	TBA
35	8	SW16	M16 SP WASHER ZN PL	Purchased	0.00	TBA	TBA
36	8	HHN16M	M16 HEX HEAD NUT	Purchased	0.04	TBA	TBA
37	21	HHB35M12	M12 x 35 HEX HEAD BOLT	Purchased	0.05	TBA	TBA
38	33	WF12M	M12 FLAT WASHER	Purchased	0.01	TBA	TBA
39	27	HNN12M	M12 NYLOC NUT	Purchased	0.02	TBA	TBA
40	6	HHB50M16	M16 x 50 HEX BOLT	Purchased	0.12	TBA	TBA
41	6	HHB45M12	M12 x 45 HEX HEAD BOLT	Purchased	0.06	TBA	TBA
42	6	HHB3/4UNF-16T3 1/2	3/4UNF x 3 1/2 HEX BOLT	Purchased	0.26	MAPTCO	TBA
43	16	WF20MHT	M20 HIGH TENSILE FLAT WASHER	Purchased	0.02	TBA	TBA
44	6	HNN3/4UNF	3/4" UNF HEX NYLOC NUT	Purchased	0.06	MAPTCO	TBA
45	6	SHCS3/4UNC3ZP	3/4UNC x 3" SHCS ZP	Purchased	0.03	TBA	TBA
46	4	HHB3/4UNF-16T3	3/4" UNF x 3" HEX BOLT	Purchased	0.23	MAPTCO	TBA
47	2	WHA150	HEAVY DUTY CASTOR ARM	WHA - 150	27.68		
48	2	CSTW380	Ø380 CASTOR WHEEL	Purchased	41.05	TBA	TBA
49	4	LPB77	PIVOT PIN	Purchased	0.35	Bare Co	B 77
50	1	COV001	10" COVER	Purchased	0.99	Bare Co	AS8409
51	4	HHB3_8UNC-1/2	3/8" UNC x 1/2" HEX HEAD BOLT	Purchased	0.02	MAPTCO	TBA
52	1	FQC2610520	SHAFT & INTEGRAL CLUTCH	Purchased	0.00	BareCo	C2610520



WEIGHT 1161349.0 GMS Sheet 1 of 2

No.	Description	DWN	CHK	APPD	DATE
P1	PRELIMINARY DRAWING	-	-	-	-
A	APPROVED FOR CONSTRUCTION	-	-	-	-

199 Bridge Street, Oakey, Qld, 4401



FIELDQUIP
Australia owned family business

...smarter gear
...smarter care

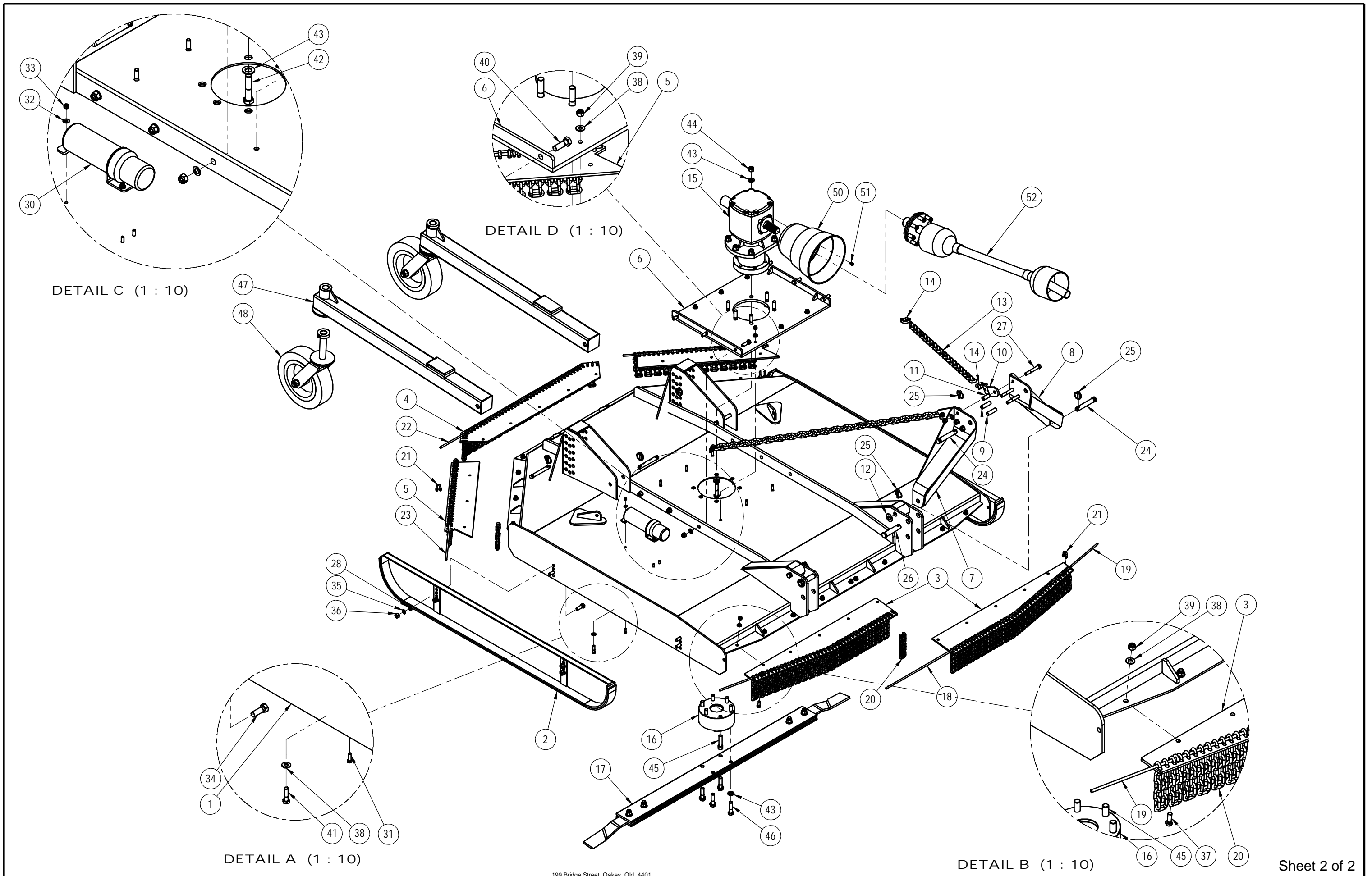
THIS DRAWING IS PRIVATE AND CONFIDENTIAL AND REMAINS THE PROPERTY OF FIELDQUIP.
RETURNED UPON REQUEST. IT MUST NOT BE COPIED OR LOANED WITHOUT THE CONSENT OF FIELDQUIP.

SCALE	1:25	U.N.O
Design	D.M.	-
Drawn	AWP	19.05.16
Check	G.R.	20.05.16
Appd.	G.R.	20.05.16

**XHD 90 SLASHER ASSY
EXTRA HEAVY DUTY**

XHD 90 ROTARY SLASHER

3rd ANGLE PROJECTION U.N.O.	A3
Fieldquip Drawing Number	REV
XHD90 - 900	A



No.	Description	DWN	CHK	APPD	DATE
P1	PRELIMINARY DRAWING	-	-	-	-
A	APPROVED FOR CONSTRUCTION	-	-	-	-

199 Bridge Street, Oakey, Qld, 4401

FIELDQUIP
...smarter gear ...smarter care
 Australian owned family business

THIS DRAWING IS PRIVATE AND CONFIDENTIAL AND REMAINS THE PROPERTY OF FIELDQUIP.
 RETURNED UPON REQUEST. IT MUST NOT BE COPIED OR LOANED WITHOUT THE CONSENT OF FIELDQUIP.

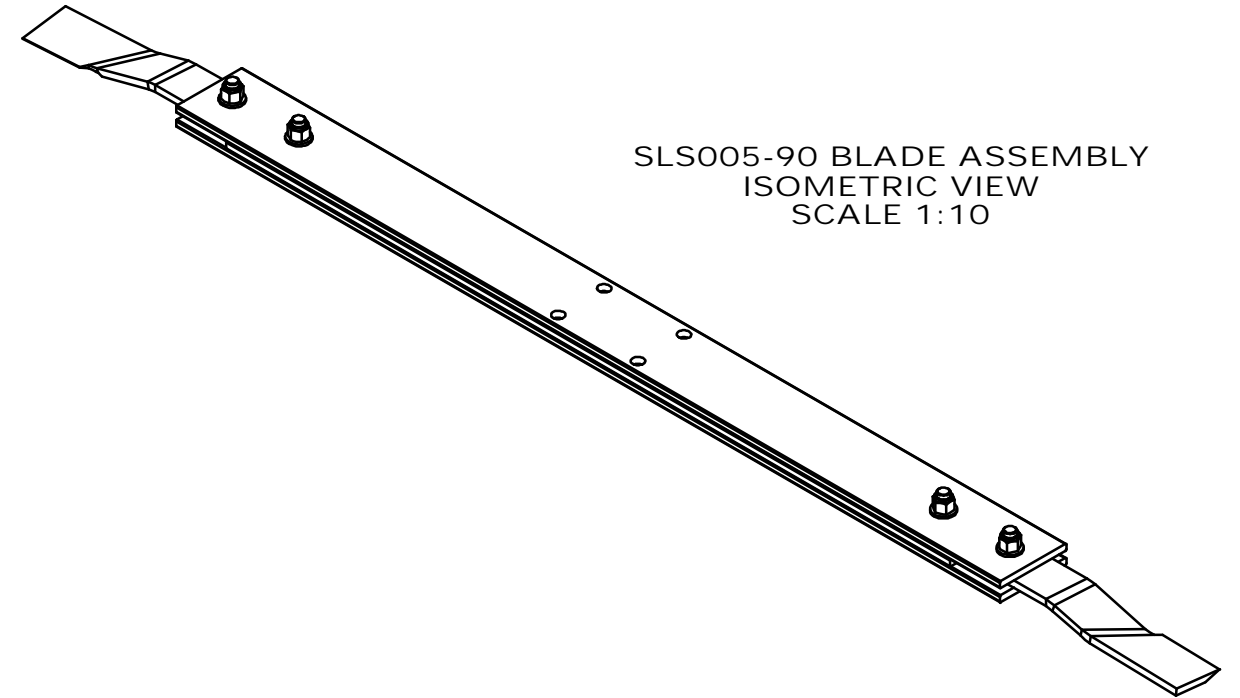
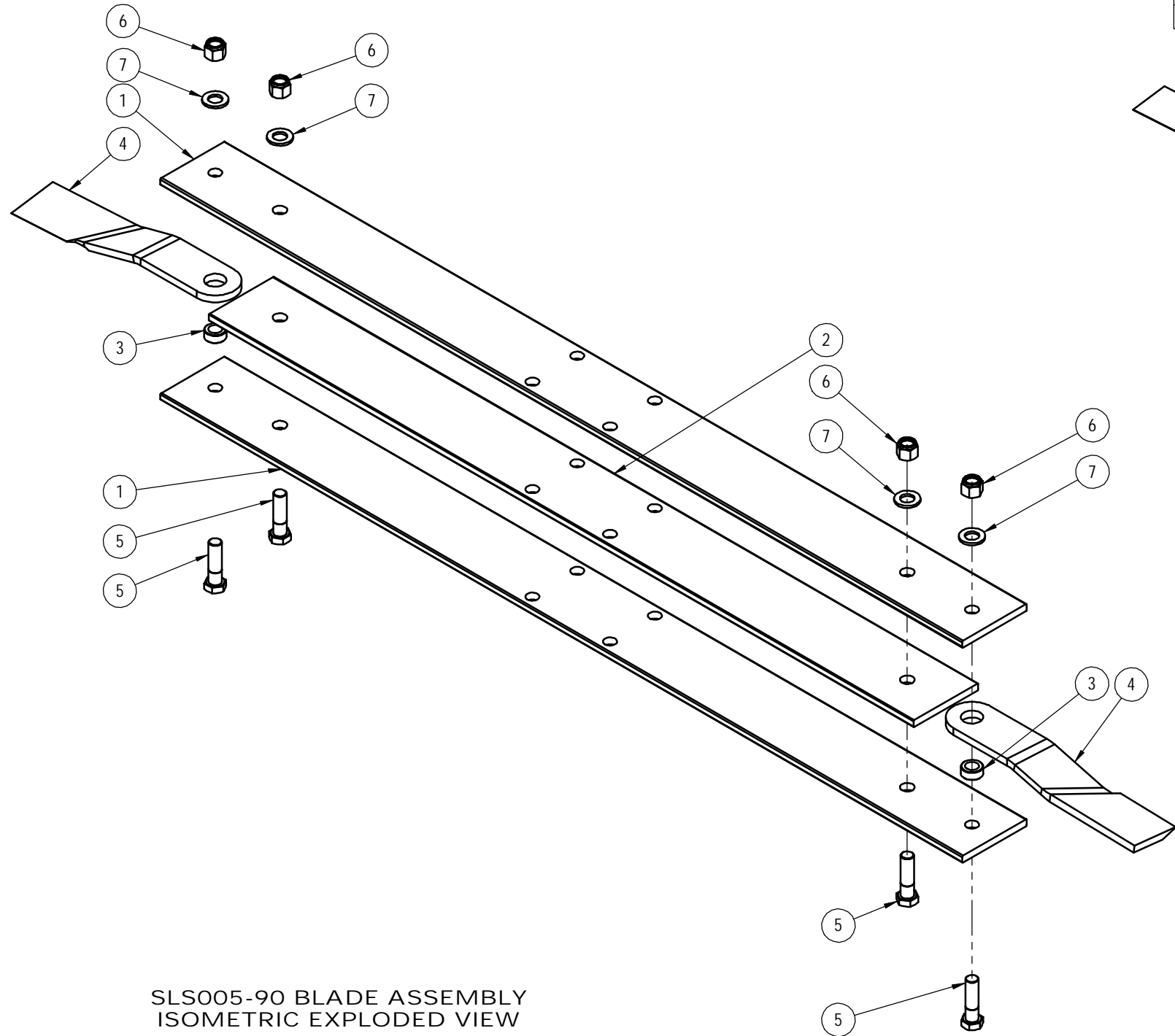
SCALE	1:20	U.N.O
Design	D.M.	-
Drawn	AWP	19.05.16
Check	G.R.	20.05.16
Appd.	G.R.	20.05.16

**XHD 90 SLASHER ASSY
 EXTRA HEAVY DUTY**

XHD 90 ROTARY SLASHER

3rd ANGLE PROJECTION U.N.O.	A3
Fieldquip Drawing Number	REV
XHD90 - 900	A

ITEM NO.	QTY.	PART No	DESCRIPTION	DRAWING No	WEIGHT kg	VENDOR	VENDOR No
1	2	SBH472	BEAM 130x12x1610	SBH 472	19.55		
2	1	SBH473	SPACER 130x12x1415	SBH 473	17.23		
3	2	BB7468	BLADE BUSH	Purchased		Bare Co	B7468
4	2	6002	SLASHER BLADE	Purchased		Bare Co	B6002
5	4	HHB $\frac{3}{4}$ UNF-16T $\frac{3}{4}$	$\frac{3}{4}$ " UNF x 2 $\frac{3}{4}$ " HEX BOLT	Purchased		MAPTCO	TBA
6	4	HNN $\frac{3}{4}$ UNF	$\frac{3}{4}$ " UNF HEX NYLOC NUT	Purchased		MAPTCO	TBA
7	4	WF20MHT	M20 HIGH TENSILE FLAT WASHER	Purchased		TBA	TBA



SLS005-90 BLADE ASSEMBLY
ISOMETRIC VIEW
SCALE 1:10

SLS005-90 BLADE ASSEMBLY
ISOMETRIC EXPLODED VIEW

DO NOT SCALE
IF IN DOUBT - ASK WEIGHT 62998.7 GMS

Sheet 1 of 1

No.	Description	DWN	CHK	APPD	DATE
P1	PRELIMINARY DRAWING	-	-	-	-
A	APPROVED FOR CONSTRUCTION	-	-	-	-
B	VENDOR NUMBERS CORRECTED	AWP	G.R.	G.R.	20.05.01

199 Bridge Street, Oakey, Qld, 4401



FIELDQUIP
...smarter gear
...smarter care
Australian owned family business

THIS DRAWING IS PRIVATE AND CONFIDENTIAL AND REMAINS THE PROPERTY OF FIELDQUIP.
RETURNED UPON REQUEST. IT MUST NOT BE COPIED OR LOANED WITHOUT THE CONSENT OF FIELDQUIP.

SCALE	1:7.5	U.N.O
Design	D.M.	2014
Drawn	AWP	07.12.14
Check	D.M.	08.12.14
Appd.	D.M.	08.12.14

SLS005-90 BLADE ASSEMBLY	
SLS005 SERIES BLADE ASSEMBLY	

3rd ANGLE PROJECTION U.N.O.	A3
Fieldquip Drawing Number	REV
SLS005 - 90	B