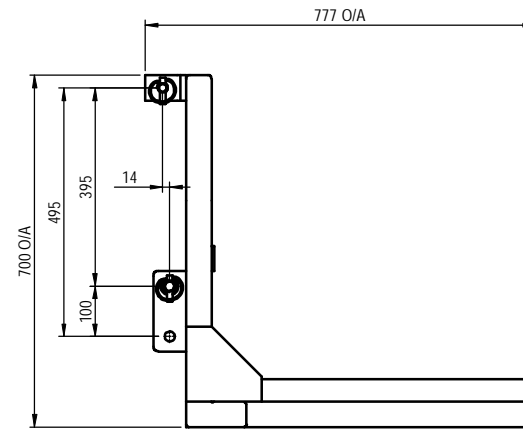
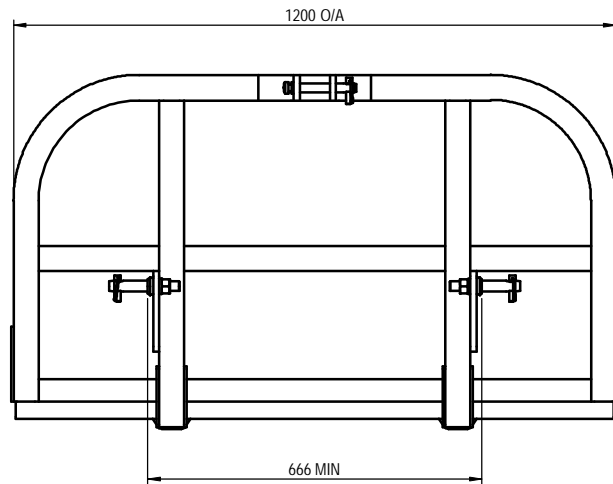
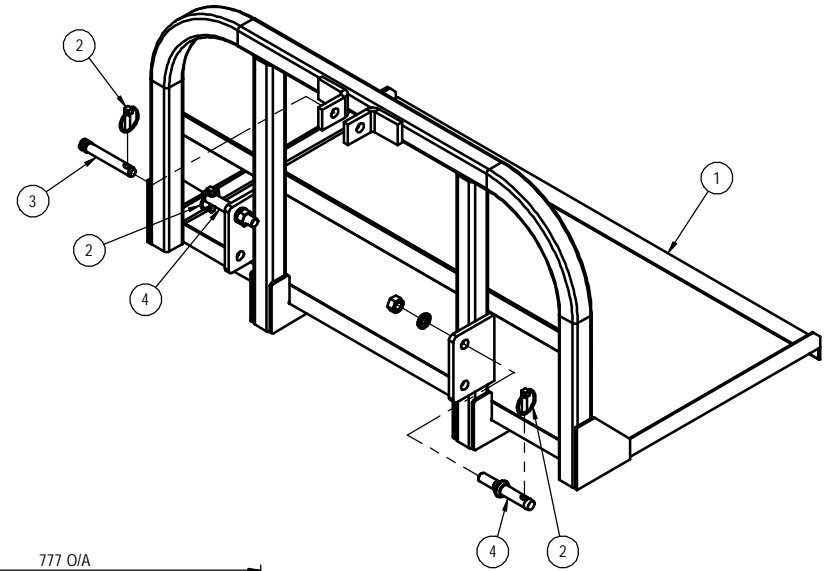


ITEM NO.	QTY.	PART No	DESCRIPTION	DRAWING No	WEIGHT kg	VENDOR	VENDOR No
1	1	CRA12-500	1200 CARRY ALL FRAME	CRA12 - 500	65.73		
2	3	LP10D	10mm LYNCH PIN	Purchased	0.05	Bare Co	B6
3	1	TLPL01	TOP LINK PIN LONG	Purchased	0.30	Bare Co	B 74
4	2	22DLPAS	LIFT PIN ASSEMBLY	Purchased	0.46	Bare Co	B198



DO NOT SCALE
IF IN DOUBT - ASK WEIGHT 66373.5 GMS

199 Bridge Street, Oaky, Qld, 4401

Sheet 1 of 1

No.	Description	DWN	CHK	APPD	DATE
P1	PRELIMINARY DRAWING	-	-	-	-
A	APPROVED FOR CONSTRUCTION	-	-	-	-


FIELDQUIP
Australian owned family business
THIS DRAWING IS PRIVATE AND CONFIDENTIAL AND REMAINS THE PROPERTY OF FIELDQUIP. RETURNED UPON REQUEST. IT MUST NOT BE COPIED OR LOANED WITHOUT THE CONSENT OF FIELDQUIP.

SCALE	1:10	U.N.O
Design	-	-
Drawn	AWP	23.05.16
Check	MG	25.05.16
Appd.	G.R.	25.05.16

CARRY ALL 1200 ASSEMBLY

CARRY ALL 1200

3rd ANGLE PROJECTION U.N.O.	A3
Fieldquip Drawing Number	REV
CRA 12 - 900	A