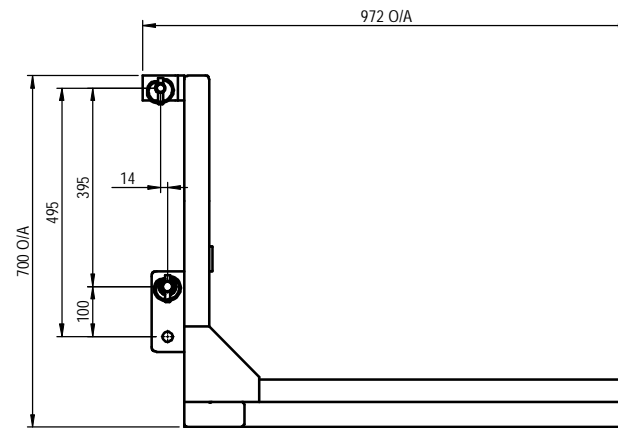
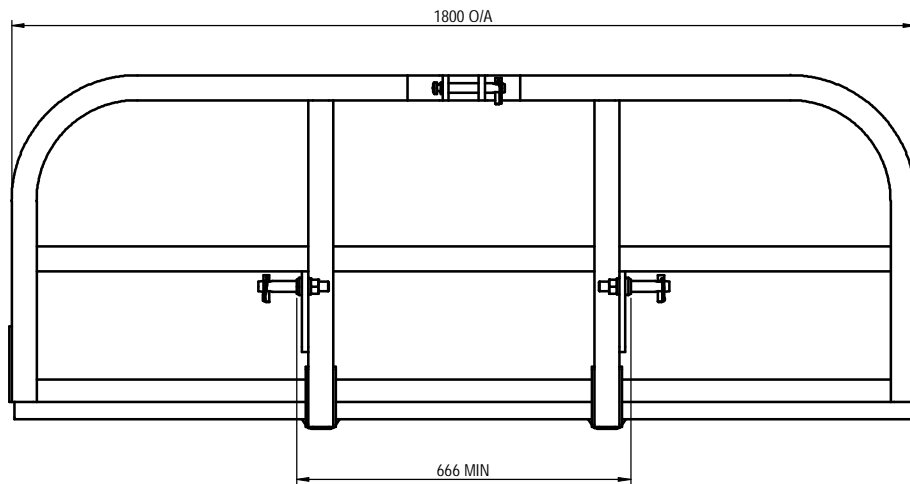
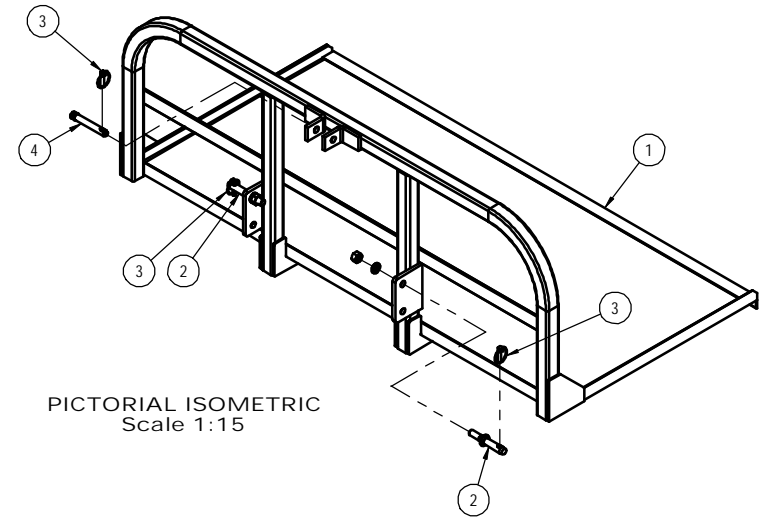


ITEM NO.	QTY	PART No	DESCRIPTION	DRAWING No	WEIGHT kg	VENDOR	VENDOR No
1	1	CRA18-500	1800 CARRY ALL FRAME	CRA18 - 500	89.44		
2	2	22DLPAS	LIFT PIN ASSEMBLY	Purchased	0.46	Bare Co	B198
3	3	LP10D	10mm LYNCH PIN	Purchased	0.05	Bare Co	B6
4	1	TLPL01	TOP LINK PIN LONG	Purchased	0.30	Bare Co	B 74



DO NOT SCALE
IF IN DOUBT - ASK WEIGHT 90795.7 GMS

199 Bridge Street, Oakay, Qld, 4401

Sheet 1 of 1

No.	Description	DWN	CHK	APPD	DATE
P1	PRELIMINARY DRAWING	-	-	-	-
A	APPROVED FOR CONSTRUCTION	-	-	-	-

199
FIELDQUIP
Australia owned family business

THIS DRAWING IS PRIVATE AND CONFIDENTIAL AND REMAINS THE PROPERTY OF FIELDQUIP. RETURNED UPON REQUEST. IT MUST NOT BE COPIED OR LOANED WITHOUT THE CONSENT OF FIELDQUIP.

SCALE	1:10	U.N.O
Design	-	-
Drawn	AWP	25.05.16
Check	MG	27.05.16
Appd.	G.R.	27.05.16

CARRY ALL 1800 ASSEMBLY

CARRY ALL 1800

3rd ANGLE PROJECTION U.N.O.	A3
Fieldquip Drawing Number	REV
CRA18 - 900	A