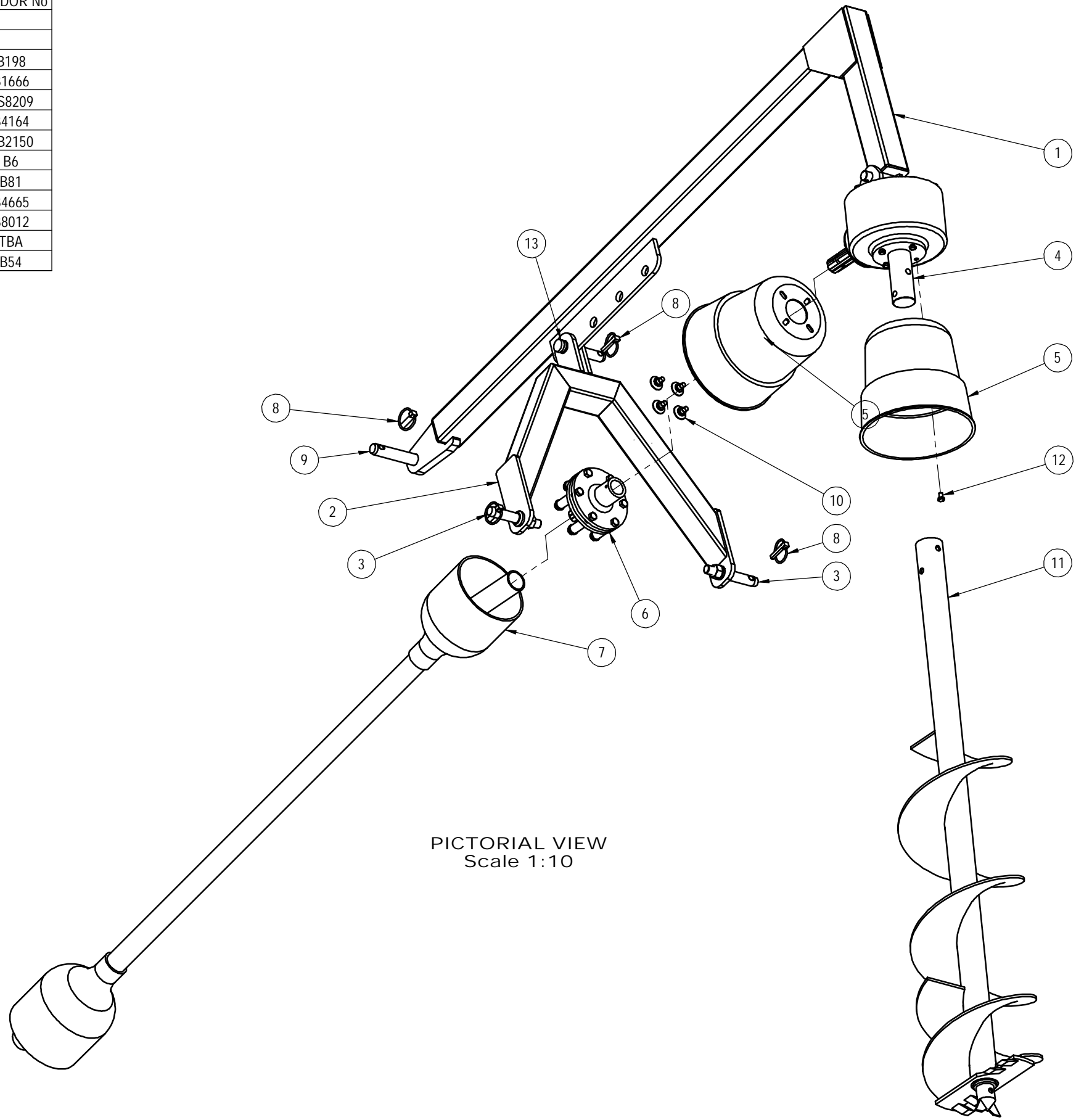
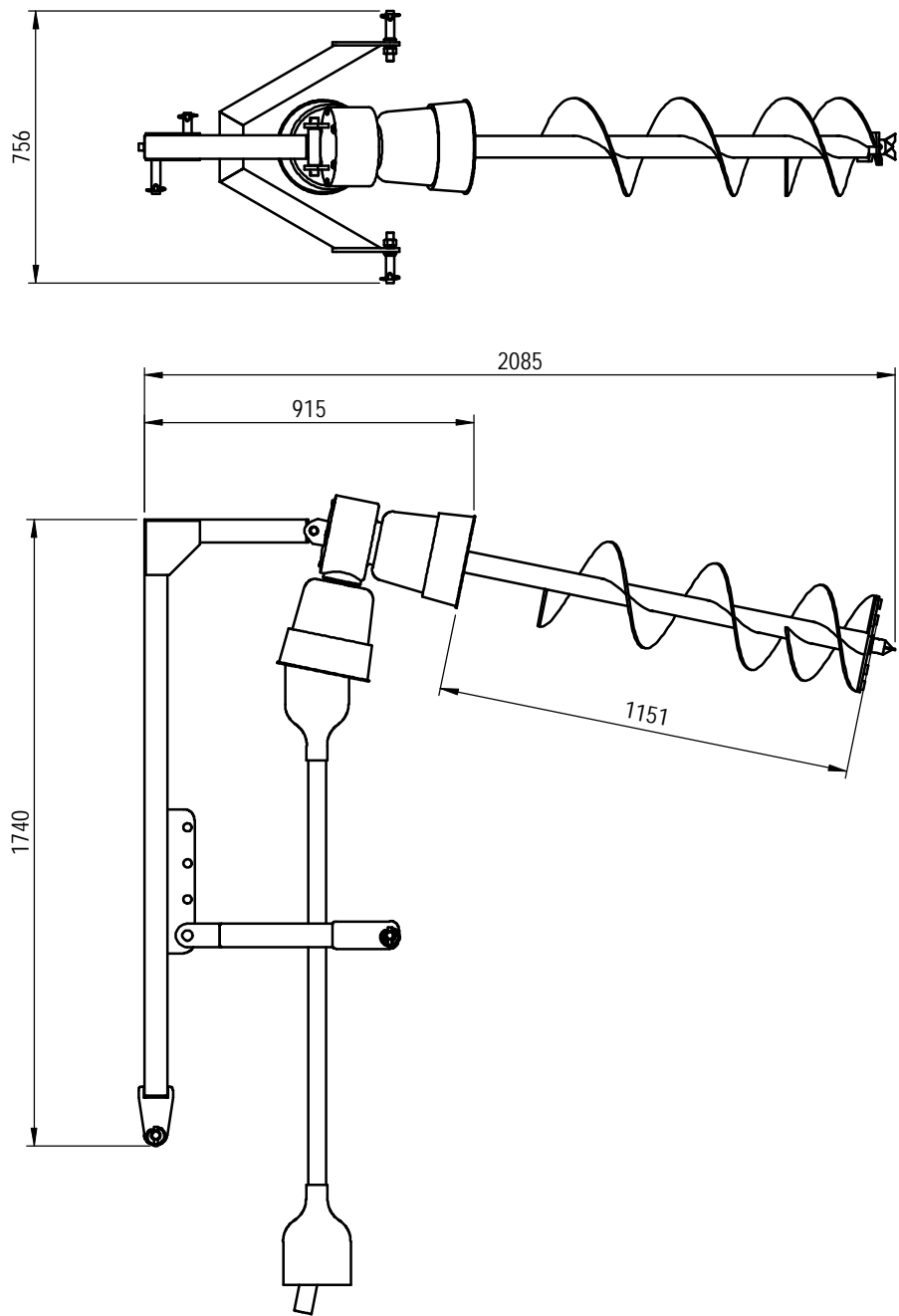


ITEM NO.	QTY.	PART No	DESCRIPTION	DRAWING No	WEIGHT kg	VENDOR	VENDOR No
1	1	LPD18-501	ARM FABRICATION	LPD18 - 501	17.26		
2	1	LPD18-500	LOWER LINKAGE FABRICATION	LPD18 - 500	8.74		
3	2	22DLPAS	LIFT PIN ASSEMBLY	Purchased	0.46	Bare Co	B198
4	1	GB1666	35HP POST HOLE GEARBOX	Purchased	44.58	Bare Co	B1666
5	2	COV002	6" PTO GUARD	Purchased	4.68	Bare Co	AS8209
6	1	FQB4164	40HP CLUTCH	Purchased	4.48	Bare Co	B4164
7	1	PTO004	100" 6 SPLINE PTO SHAFT	Purchased	16.58	Bare Co	AB2150
8	4	LP10D	10mm LYNCH PIN	Purchased	0.05	Bare Co	B6
9	1	LPB81	HEADSTOCK PIVOT PIN	Purchased	0.60	Bare Co	B81
10	1	FQ4665	GUARD MOUNTING KIT	Purchased	0.16	Bare Co	B4665
11	1	AUG001	12" (300mm) AUGER	Purchased	19.30	Bare Co	B8012
12	4	HHB5_16UNC-18T½	5/16" UNC x ½" HEX HEAD BOLT	Purchased	0.01	MAPTCO	TBA
13	1	LPB54	HEAVY DUTY PIN 7/8" x 3½"	Purchased	0.40	Bare Co	B54



DO NOT SCALE
IF IN DOUBT - ASK WEIGHT 122595.3 GMS

Sheet 1 of 1

No.	Description	DWN	CHK	APPD	DATE
P1	PRELIMINARY DRAWING	-	-	-	-
A	APPROVED FOR CONSTRUCTION	-	-	-	-

199 Bridge Street, Oakey, Qld, 4401

THIS DRAWING IS PRIVATE AND CONFIDENTIAL AND REMAINS THE PROPERTY OF FIELDQUIP.
RETURNED UPON REQUEST. IT MUST NOT BE COPIED OR LOANED WITHOUT THE CONSENT OF FIELDQUIP.

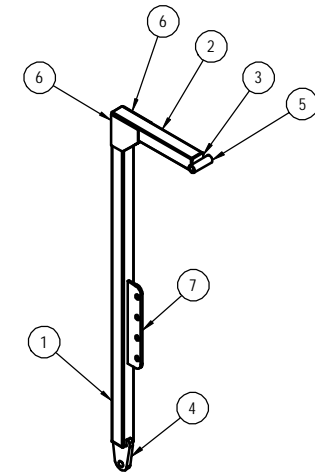
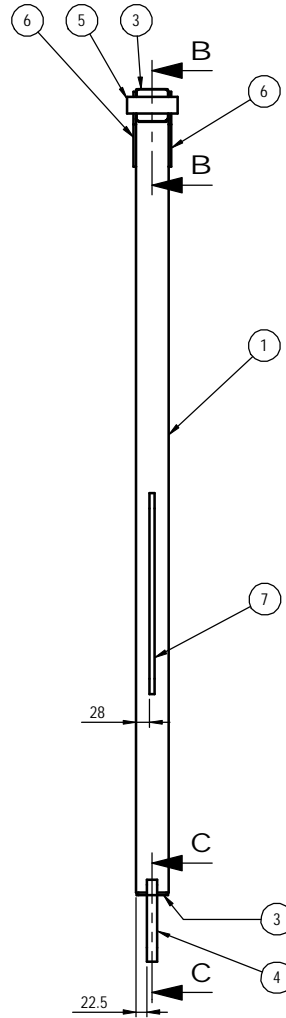
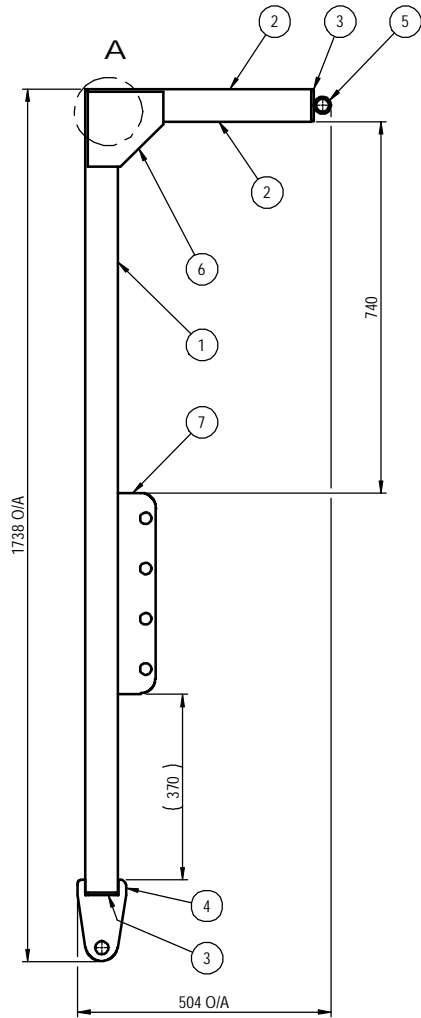
SCALE	1:20	U.N.O
Design	D.M.	-
Drawn	MG	20.06.16
Check	AWP	20.06.16
Appd.	G.R.	20.06.16

LIGHT POSTHOLE DIGGER - 20HP
PB18 LIGHT POSTHOLE DIGGER

3rd ANGLE PROJECTION U.N.O.	A3
Fieldquip Drawing Number	REV
LPD18 - 900	A

ITEM NO.	QTY.	PART NUMBER	DRAWING NUMBER	WEIGHT IN kg	DESCRIPTION
1	1	LPD18-005	LPD18 - 05	8.96	MAIN ARM
2	1	LPD18-006	LPD18 - 06	2.39	SHORT ARM
3	2	LPD18-008	LPD18 - 08	0.16	65 X 65 END CAP
4	1	LPD18-009	LPD18 - 09	1.61	TOP LINK MOUNT
5	1	LPD18-010	LPD18 - 10	0.29	GEARBOX PIVOT BUSH
6	2	LPD18-007	LPD18 - 07	0.75	ARM GUSSET
7	1	LPD18-011	LPD18 - 11	2.21	HEIGHT ADJUSTMENT PLATE

ALL WELDS 5mm CFW



ISOMETRIC VIEW
Scale 1:20

DO NOT SCALE
IF IN DOUBT - ASK WEIGHT 17264.5 GMS

199 Bridge Street, Oakay, Qld, 4401

Sheet 1 of 2

No.	Description	DWN	CHK	APPD	DATE
P1	PRELIMINARY DRAWING	-	-	-	-
A	APPROVED FOR CONSTRUCTION	-	-	-	-


FIELDQUIP

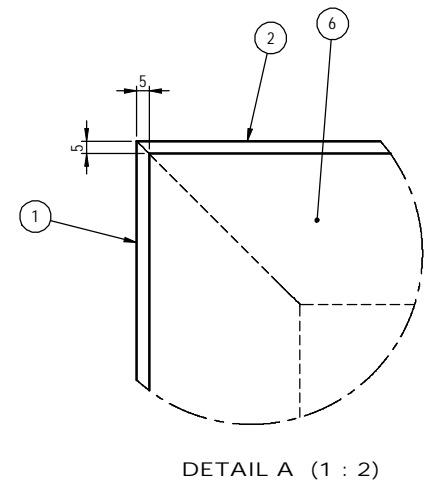
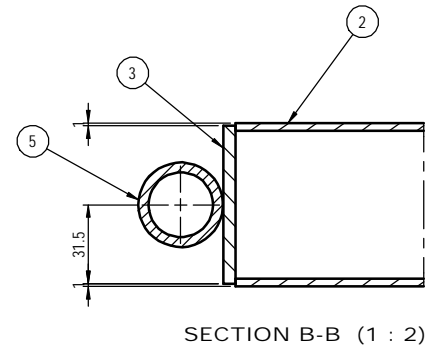
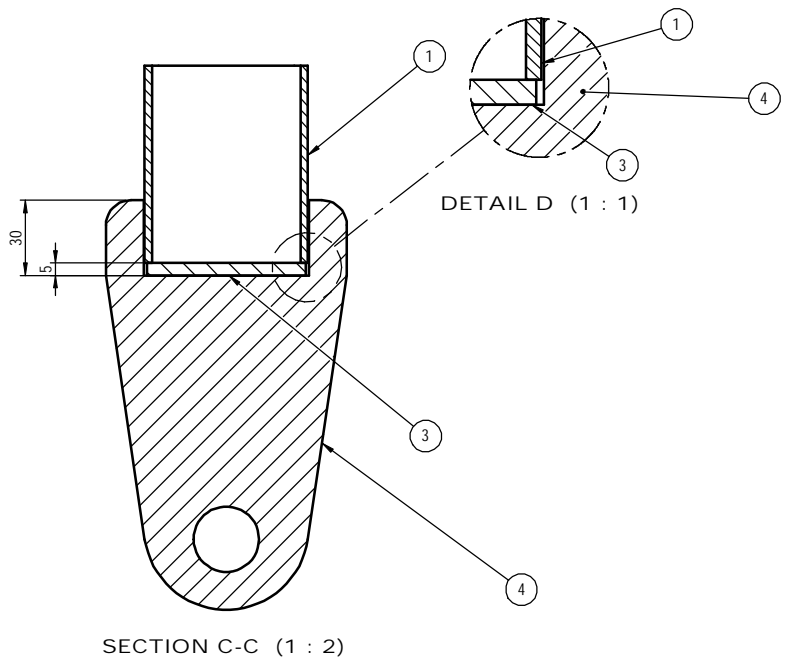

Australian owned family business
 THIS DRAWING IS PRIVATE AND CONFIDENTIAL AND REMAINS THE PROPERTY OF FIELDQUIP.
 RETURNED UPON REQUEST. IT MUST NOT BE COPIED OR LOANED WITHOUT THE CONSENT OF FIELDQUIP.

SCALE	1:10	U.N.O
Design	D.M.	-
Drawn	MG	13.04.16
Check	AWP	13.04.16
Appd.	G.R.	13.04.16

ARM FABRICATION

PB18 LIGHT POSTHOLE DIGGER

3rd ANGLE PROJECTION U.N.O.	A3
Fieldquip Drawing Number	REV
LPD18 - 501	A



DO NOT SCALE
IF IN DOUBT - ASK WEIGHT 17264.5 GMS

199 Bridge Street, Oakay, Qld, 4401

Sheet 2 of 2

No.	Description	DWN	CHK	APPD	DATE
P1	PRELIMINARY DRAWING	-	-	-	-
A	APPROVED FOR CONSTRUCTION	-	-	-	-

THIS DRAWING IS PRIVATE AND CONFIDENTIAL AND REMAINS THE PROPERTY OF FIELDQUIP.
RETURNED UPON REQUEST. IT MUST NOT BE COPIED OR LOANED WITHOUT THE CONSENT OF FIELDQUIP.

SCALE	1:10	U.N.O
Design	D.M.	-
Drawn	MG	13.04.16
Check	AWP	13.04.16
Appd.	G.R.	13.04.16

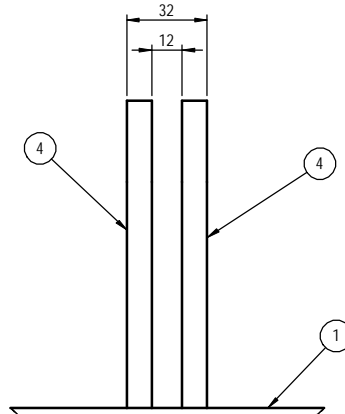
ARM FABRICATION

PB18 LIGHT POSTHOLE DIGGER

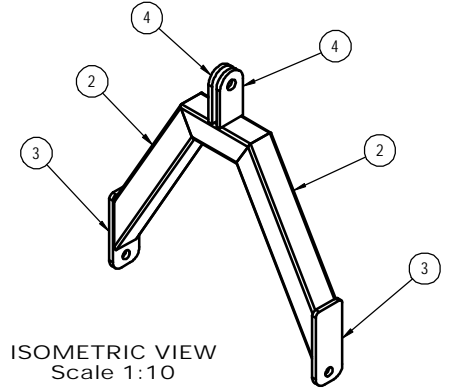
3rd ANGLE PROJECTION U.N.O.		A3
Fieldquip	Drawing Number	REV
LPD18 - 501		A

ITEM NO.	QTY.	PART NUMBER	DRAWING NUMBER	WEIGHT IN kg	DESCRIPTION
1	1	LPD18-002	LPD18 - 02	0.90	LOWER LINKAGE MID BRACE
2	2	LPD18-001	LPD18 - 01	2.31	LOWER LINKAGE SIDE ARM
3	2	LPD18-003	LPD18 - 03	1.05	LOWER LINKAGE BRACKET
4	2	LPD18-004	LPD18 - 04	0.56	ADJUSTMENT PLATE

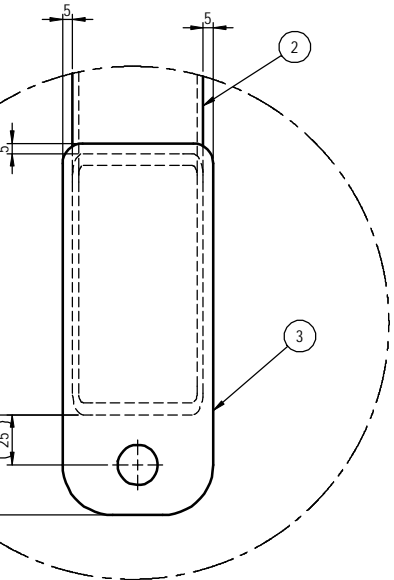
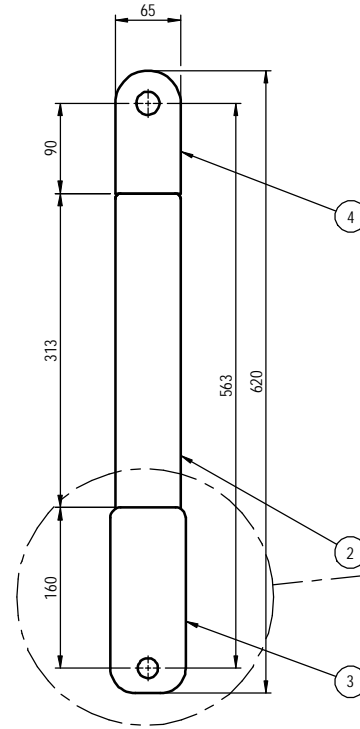
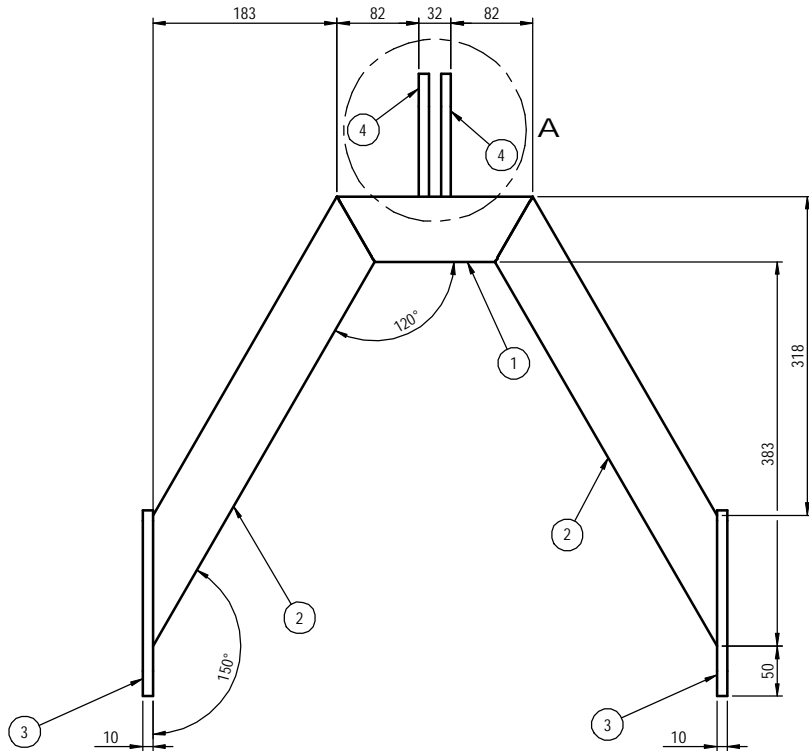
ALL WELDS 5mm CFW



DETAIL A (1 : 2)



ISOMETRIC VIEW
Scale 1:10



DETAIL B (2 : 5)

DO NOT SCALE
IF IN DOUBT - ASK WEIGHT 8737.7 GMS

199 Bridge Street, Oakey, Qld, 4401

No.	Description	DWN	CHK	APPD	DATE
P1	PRELIMINARY DRAWING	-	-	-	-
A	APPROVED FOR CONSTRUCTION	-	-	-	-

FIELDQUIP
Australia owned family business

THIS DRAWING IS PRIVATE AND CONFIDENTIAL AND REMAINS THE PROPERTY OF FIELDQUIP. RETURNED UPON REQUEST. IT MUST NOT BE COPIED OR LOANED WITHOUT THE CONSENT OF FIELDQUIP.

SCALE	1:5	U.N.O
Design	D.M.	-
Drawn	MG	13.04.16
Check	AWP	13.04.16
Appd.	G.R.	13.04.16

LOWER LINKAGE FABRICATION

PB18 LIGHT POSTHOLE DIGGER

3rd ANGLE PROJECTION U.N.O.	A3
Fieldquip Drawing Number	REV
LPD18 - 500	A