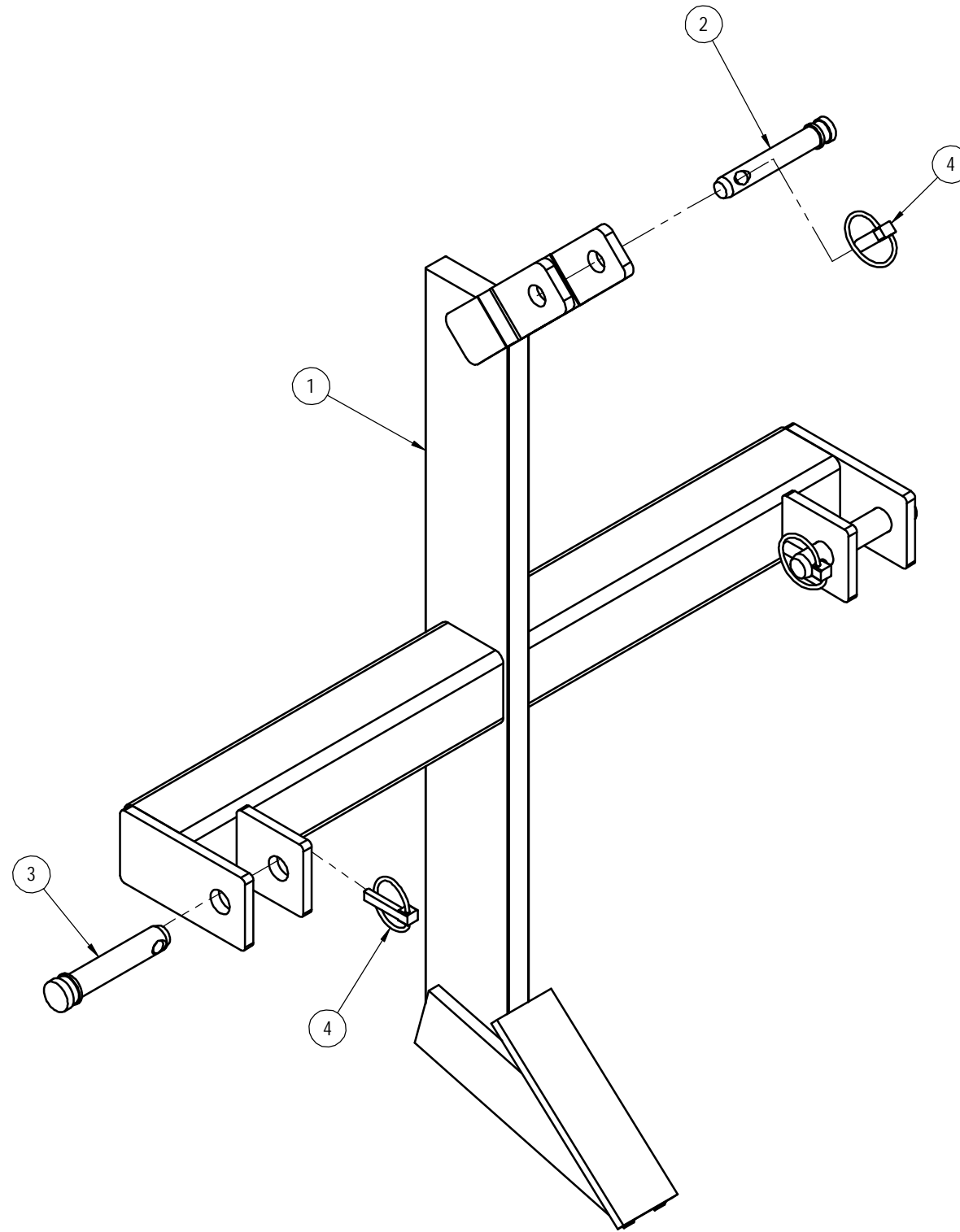


ITEM NO.	QTY.	PART No	DESCRIPTION	DRAWING No	WEIGHT kg	VENDOR	VENDOR No
1	1	LSR-500	BODY FABRICATION	LSR - 500	31.48		
2	1	LPB75	PIVOT PIN	Purchased	0.27	Bare Co	B75
3	2	LPB54	HEAVY DUTY PIN 7/8 x 3½	Purchased	0.40	Bare Co	B54
4	3	LP10D	10mm LYNCH PIN	Purchased	0.05	Bare Co	B6



DO NOT SCALE
IF IN DOUBT - ASK WEIGHT 32681.1 GMS

Sheet 1 of 1

No.	Description	DWN	CHK	APPD	DATE
P1	PRELIMINARY DRAWING	-	-	-	-
A	APPROVED FOR CONSTRUCTION	-	-	-	-

199 Bridge Street, Oakey, Qld, 4401



FIELDQUIP

...smarter gear
...smarter care
Australian owned family business

THIS DRAWING IS PRIVATE AND CONFIDENTIAL AND REMAINS THE PROPERTY OF FIELDQUIP.
RETURNED UPON REQUEST. IT MUST NOT BE COPIED OR LOANED WITHOUT THE CONSENT OF FIELDQUIP.

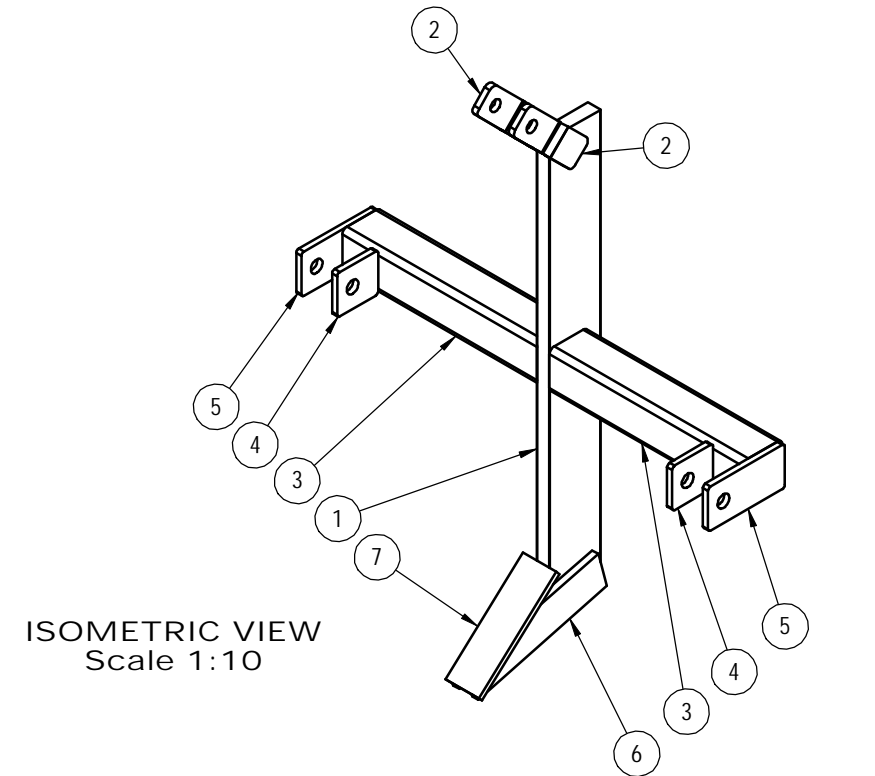
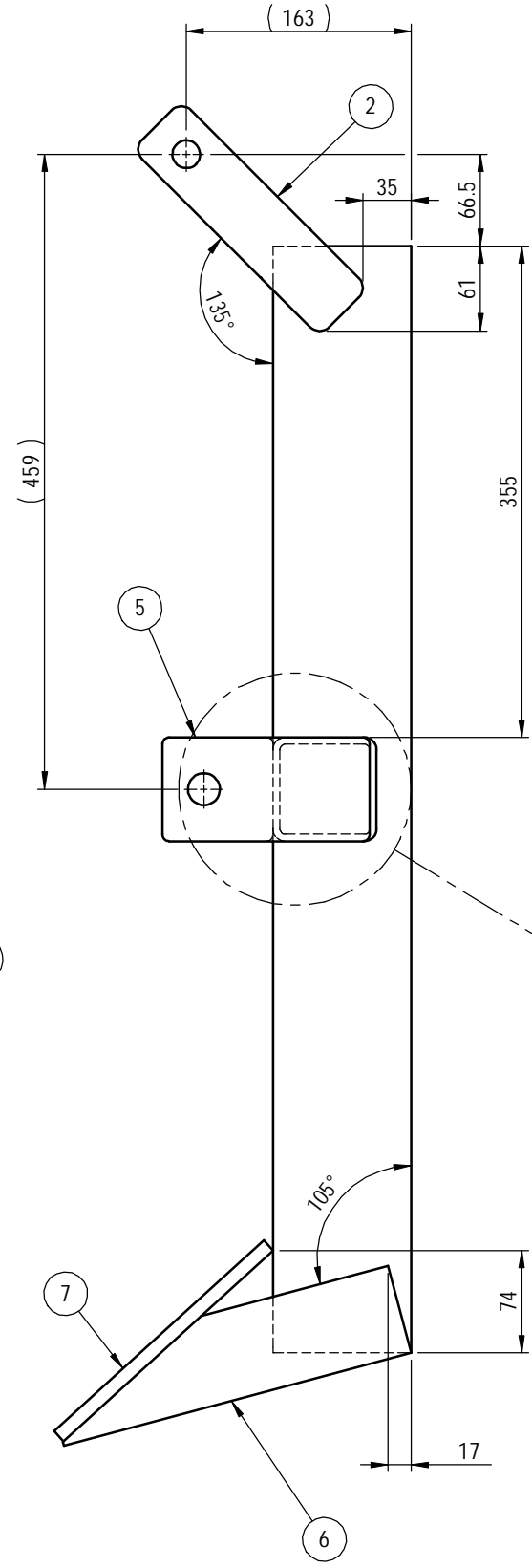
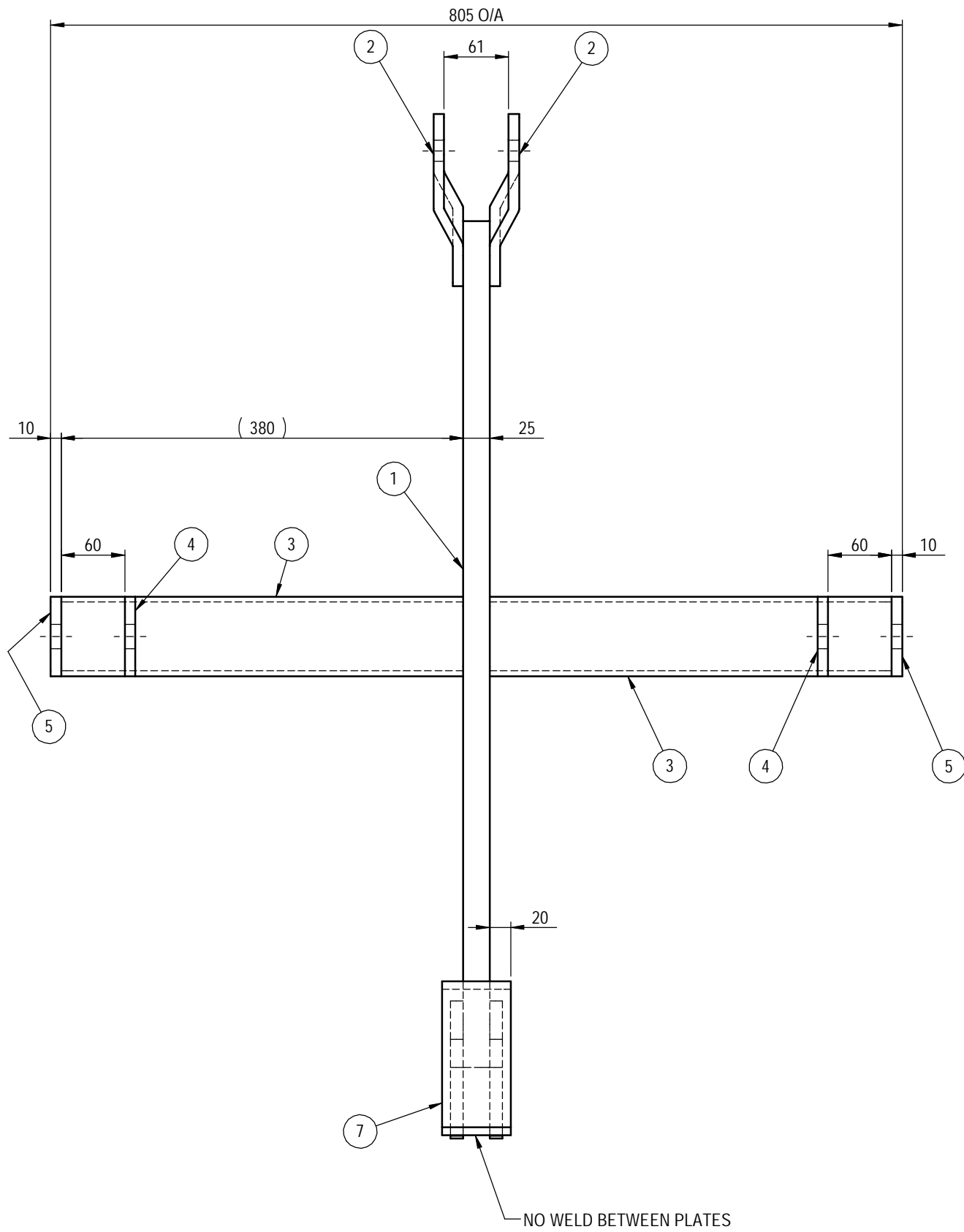
SCALE	1:5	U.N.O
Design	D.M.	-
Drawn	LS	13.05.16
Check	AWP	17.05.16
Appd.	G.R.	17.05.16

STR100 ASSEMBLY
STR100 SINGLE TYNE RIPPER

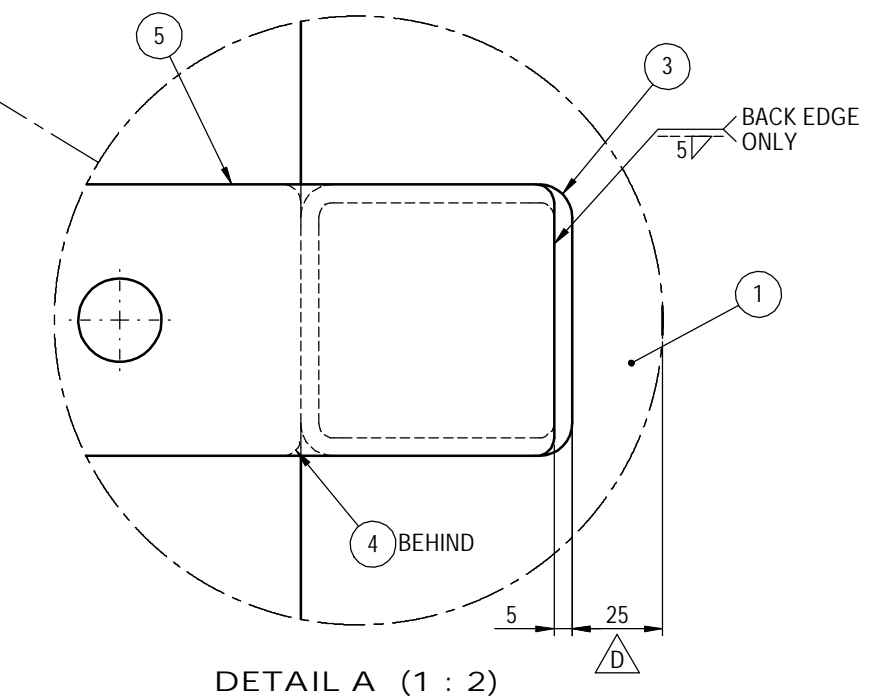
3rd ANGLE PROJECTION U.N.O.	A3
Fieldquip Drawing Number	REV
LSR - 900	A

ITEM NO.	QTY.	PART NUMBER	DRAWING NUMBER	WEIGHT IN kg	DESCRIPTION
1	1	LSR-002	LSR - 02	15.79	RIPPER BODY
2	2	LSR-001	LSR - 01	0.74	TOP LINK PLATE
3	2	LSR-003	LSR - 03	4.04	LOWER LINKAGE BEAM
4	2	LSR-006	LSR - 06	0.44	LOWER LINKAGE INNER PLATE
5	2	LSR-007	LSR - 07	0.85	LOWER LINKAGE OUTER PLATE
6	2	STR008	STR - 08	1.25	RIPPER SIDE SUPPORT PLATE
7	1	LSR-008	LSR - 08	1.05	RIPPER POINT

NOTE: ALL WELDS 6CFW UNO



ISOMETRIC VIEW
Scale 1:10



DETAIL A (1 : 2)

DO NOT SCALE
IF IN DOUBT - ASK WEIGHT 31479.6 GMS

Sheet 1 of 1

No.	Description	DWN	CHK	APPD	DATE
P1	PRELIMINARY DRAWING	-	-	-	-
A	APPROVED FOR CONSTRUCTION	-	-	-	-
B	DIMENSIONS ADDED, FABRICATION CLARIFIED.	AWP	MG	G.R.	14.06.16
C	ITEMS 4 AND 5 MODIFIED	AWP	MG	G.R.	15.06.16
D	WELDMENT CORRECTED TO REFLECT HOW IT IS JIGGED	AWP	MG	G.R.	22.06.16

199 Bridge Street, Oakey, Qld, 4401

THIS DRAWING IS PRIVATE AND CONFIDENTIAL AND REMAINS THE PROPERTY OF FIELDQUIP.
RETURNED UPON REQUEST. IT MUST NOT BE COPIED OR LOANED WITHOUT THE CONSENT OF FIELDQUIP.

SCALE	1:5	U.N.O
Design	D.M.	-
Drawn	MG	17.05.16
Check	AWP	17.05.16
Appd.	G.R.	17.05.16

BODY FABRICATION

STR100 SINGLE TYNE RIPPER

3rd ANGLE PROJECTION U.N.O.		A3
Fieldquip Drawing Number	LSR - 500	REV
		D