



BH10 SERIES ROTARY CUTTER

Models

BUSH HOG® BH14-1R, BH15-1R, BH16-1R, BH17-1R
BH15-2R, BH16-2R, BH17-2R

Revised 04/15

PARTS MANUAL SECTION 100



An Operator's Manual was shipped with the equipment. The Operator's Manual is an integral part of the safe operation of this machine and must be maintained with the unit at all times. **READ, UNDERSTAND, and FOLLOW** the Safety and Operation Instructions contained in this manual before operating the equipment. If the Operator's Manual is not with the equipment, contact your dealer or Bush Hog to obtain a copy before operating the equipment.

Safety Video

Important Operating and Safety Instructions are found in the Mower Safety Video that can be instantly accessed on the internet at:
www.algqr.com/bve



www.algqr.com/bve



BUSH HOG®

2501 Griffin Ave.
Selma, AL 36703
Parts Ordering 1-800-304-2836
www.bushhog.com

ATENCIÓN!

LEA EL INSTRUCTIVO

Si No Lee Ingles, Pida Ayuda a Alguien
Que Si Lo Lea Para Que le Traduzca las
Medidas de Seguridad.



A MEMBER OF THE
ALAMO GROUP
ALWAYS ON THE CUTTING EDGE®

© 2011 Alamo Group Inc.

PARTS ORDERING GUIDE

The following instructions are offered to help eliminate needless delay and error in processing purchase orders for the equipment in this section.

1. The Parts Section is prepared in logical sequence and grouping of parts that belong to the basic machine featured in this manual. Part Numbers and Descriptions are given to help locate the parts and quantities required.
2. The Purchase Order must include the name and address of the person or organization ordering the parts, who should be charged, and if possible, the serial number of the machine for which the parts are ordered.
3. The Purchase Order must clearly list the quantity of each part, the complete and correct part number (be sure to include all periods), and the basic name of the part.
4. The Manufacturer reserves the right to substitute parts where applicable.
5. Some parts are unlisted items which are special production items not normally stocked and are subject to special handling. Request a quotation for such parts before sending a Purchase Order.
6. The Manufacturer reserves the right to change prices without prior notice.



For maximum safety and to guarantee optimum product reliability, always use genuine BUSH HOG Parts. The use of inferior replacement parts may cause premature or catastrophic failure which could result in serious injury or death. Direct any questions regarding parts to:

BUSH HOG
2501 Griffin Ave.
Selma, AL 36703
www.bushhog.com
Contact Us
800-304-2836



BUSH HOG®

TABLE OF CONTENTS

BH SERIES ROTARY CUTTERS

BH14, BH15, BH16, BH17

DESCRIPTION.....	PAGE NUMBER
Front Belting and Rear Banding BH15, BH16, BH17 (ALL MODELS)	100-1-1
Front Chains and Rear Chains BH15, BH16, BH17 (ALL MODELS)	100-1-2
BH14-1R Base Frame Assembly with Front Belting and Rear Band	100-1-4
BH15-1R Base Frame Assembly	100-1-6
BH16-1R Base Frame Assembly	100-1-8
BH17-1R Base Frame Assembly	100-1-10
BH15-2R Base Frame Assembly	100-1-12
BH16-2R Base Frame Assembly	100-1-14
BH 17-2R Base Frame Assembly	100-1-16
Gearbox Assembly BH14-1R.....	100-2-1
Gearbox Assembly BH15-1R.....	100-2-2
Gearbox Assembly BH16-1R.....	100-2-3
Gearbox Assembly BH17-1R.....	100-2-4
Gearbox Assembly BH15-2R.....	100-2-5
Gearbox Assembly BH16-2R.....	100-2-6
Gearbox Assembly BH17-2R.....	100-2-7
Driveline Assembly BH14	100-3-1
Driveline Assembly Offset Shear Bolt BH15 and BH16 (ALL MODELS)	100-3-2
Driveline Assembly Slip Clutch BH15 and BH16	100-3-3
Driveline Assembly Slip Clutch BH17 (ALL MODELS)	100-3-4
Driveline Assembly Slip Clutch BH16 (OBSOLETE)	100-3-5
Driveline Assembly Slip Clutch BH16 (ALL MODELS)	100-3-6
Hitch 3pt. Standard BH14	100-4-1
Hitch 3pt. Quick Hitch BH14	100-4-2
Hitch 3pt. Standard BH15 and BH16 (ALL MODELS)	100-4-3
Hitch 3pt. Quick Hitch BH15 and BH16 (ALL MODELS)	100-4-4
Hitch 3pt. Quick Hitch BH17 (ALL MODELS)	100-4-5
Tailwheel and Related Parts BH14 (ALL MODELS)	100-5-1
Tailwheel and Related Parts BH15 and BH16 (ALL MODELS)	100-5-2
Tailwheel and Related Parts BH17 (ALL MODELS)	100-5-3

LIMITED WARRANTY



Bush Hog warrants to the original purchaser of any new Bush Hog equipment, purchased from an authorized Bush Hog dealer, that the equipment be free from defects in material and workmanship for a period of one (1) year for non-commercial, state and municipalities' use and ninety (90) days for commercial use from date of retail sale. The obligation of Bush Hog to the purchaser under this warranty is limited to the repair or replacement of defective parts.

Replacement or repair parts installed in the equipment covered by this limited warranty are warranted for ninety (90) days from the date of purchase of such part or to the expiration of the applicable new equipment warranty period, whichever occurs later. Warranted parts shall be provided at no cost to the user at an authorized Bush Hog dealer during regular working hours. Bush Hog reserves the right to inspect any equipment or parts which are claimed to have been defective in material or workmanship.

DISCLAIMER OF IMPLIED WARRANTIES & CONSEQUENTIAL DAMAGES

Bush Hog's obligation under this limited warranty, to the extent allowed by law, is in lieu of all warranties, implied or expressed, **INCLUDING IMPLIED WARRANTIES OF MERCHANTABILITY AND FITNESS FOR A PARTICULAR PURPOSE** and any liability for incidental and consequential damages with respect to the sale or use of the items warranted. Such incidental and consequential damages shall include but not be limited to: transportation charges other than normal freight charges; cost of installation other than cost approved by Bush Hog; duty; taxes; charges for normal service or adjustment; loss of crops or any other loss of income; rental of substitute equipment, expenses due to loss, damage, detention or delay in the delivery of equipment or parts resulting from acts beyond the control of Bush Hog.

THIS LIMITED WARRANTY SHALL NOT APPLY:

1. To vendor items which carry their own warranties, such as engines, tires, and tubes.
2. If the unit has been subjected to misapplication, abuse, misuse, negligence, fire or other accident.
3. If parts not made or supplied by Bush Hog have been used in connection with the unit, if, in the sole judgement of Bush Hog such use affects its performance, stability or reliability.
4. If the unit has been altered or repaired outside of an authorized Bush Hog dealership in a manner which, in the sole judgement of Bush Hog, affects its performance, stability or reliability.
5. To normal maintenance service and normal replacement items such as gearbox lubricant, hydraulic fluid, worn blades, or to normal deterioration of such things as belts and exterior finish due to use or exposure.
6. To expendable or wear items such as teeth, chains, sprockets, belts, springs and any other items that in the company's sole judgement is a wear item.

NO EMPLOYEE OR REPRESENTATIVE OF BUSH HOG IS AUTHORIZED TO CHANGE THIS LIMITED WARRANTY IN ANY WAY OR GRANT ANY OTHER WARRANTY UNLESS SUCH CHANGE IS MADE IN WRITING AND SIGNED BY BUSH HOG'S SERVICE MANAGER, 2501 GRIFFIN AVE., SELMA, ALABAMA 36703.



Record the model number, serial number and date purchased. This information will be helpful to your dealer if parts or service are required.

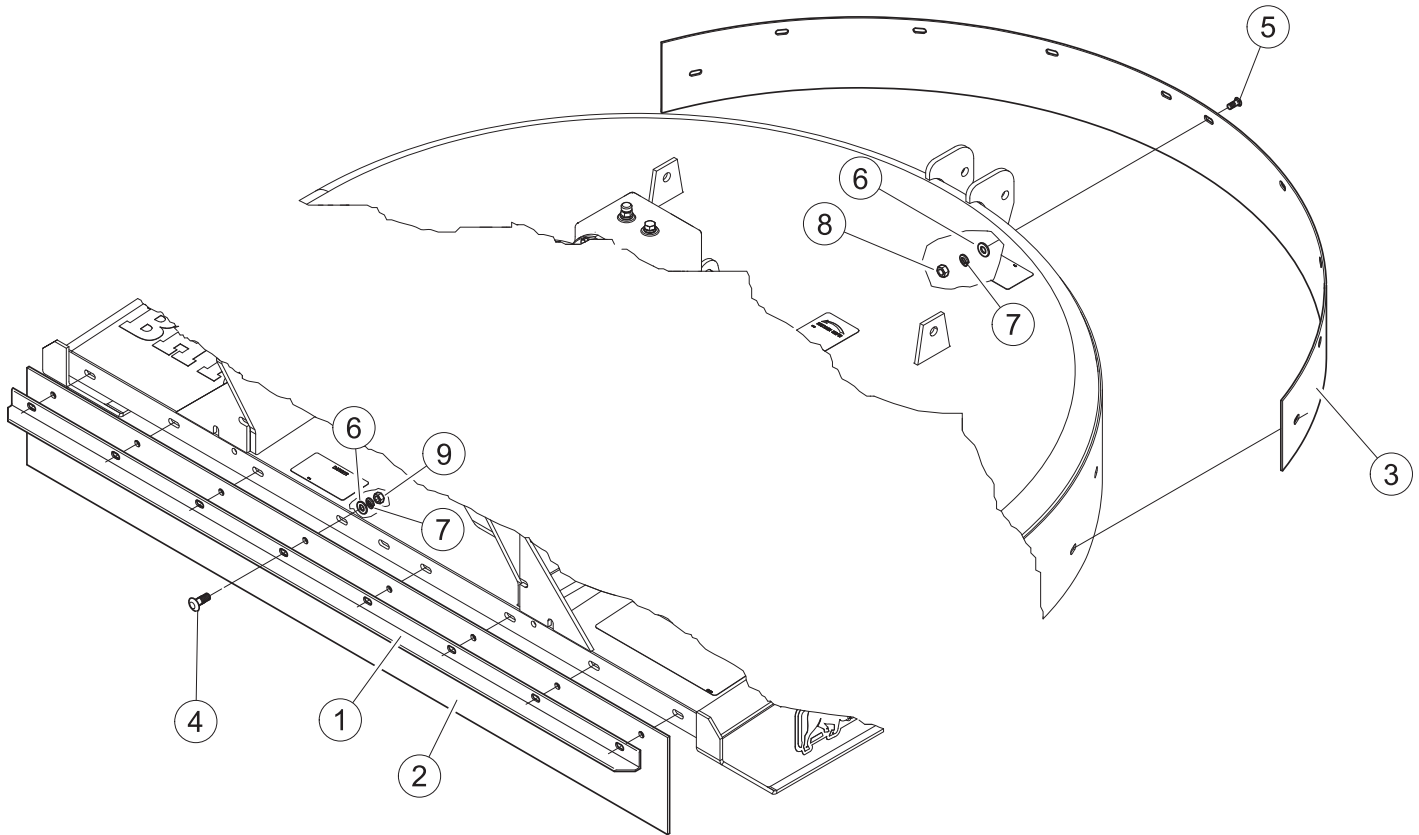
MODEL NUMBER _____

SERIAL NUMBER _____

DATE OF RETAIL SALE _____

MAKE CERTAIN THE WARRANTY
HAS BEEN FILED WITH BUSH HOG
SELMA, ALABAMA

FRONT BELTING and REAR BAND All Models BH15, BH16, BH17

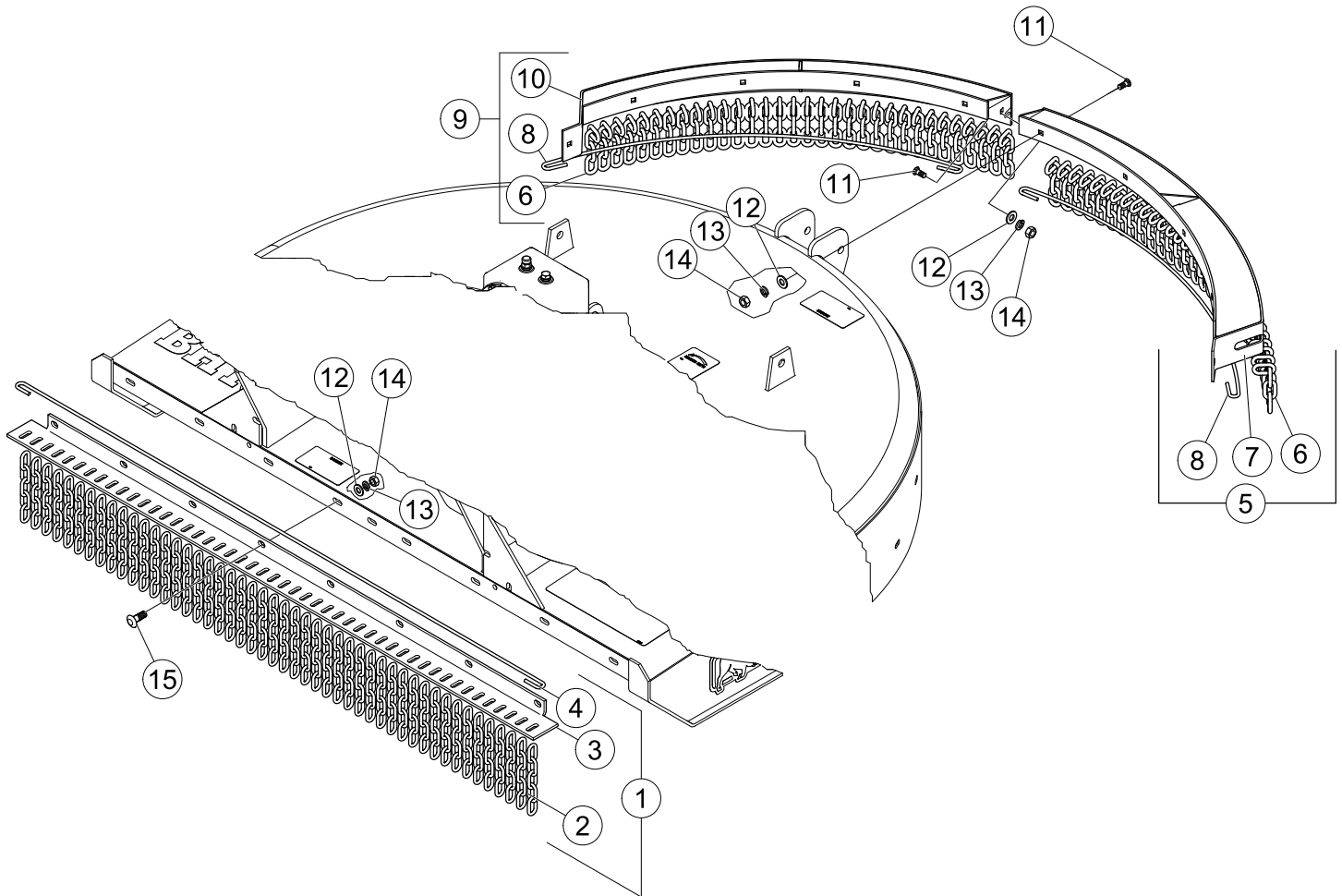


REF. NO.	PART NO.	DESCRIPTION	QTY. REQ'D.
1	50071065	Angle for BH15 - 5' Models	1
	50070871	Angle for BH16 - 6' Models	1
	50070974	Angle for BH17 - 7' Models	1
2	50071064	Belting BH15 - 5' Models	1
	50070872	Belting BH16 - 6' Models	1
	50070973	Belting BH17 - 7' Models	1
3	50070300	Rear Band BH15	1
	50070318	Rear Band BH16	1
	50070342	Rear Band BH17	1
4	5161212	Carriage Bolt 3/8" x 1-1/4" Gr.5 BH15 & BH16	*
	5161230	Carriage Bolt 3/8" x 3" Gr.5 BH17	7
5	44109BH	Carriage Bolt 3/8" x 1" Gr.5 BH15 & BH16	*
	5161212	Carriage Bolt 3/8" x 1-1/4" Gr.5 Bh17	12
6	15915BH	Flatwasher 3/8"	*
7	15812	Lockwasher 3/8"	*
8	8151200	Hex Nut 3/8"	*

* As Required

FRONT CHAINS and REAR CHAINS

All Models BH15, BH16, BH17



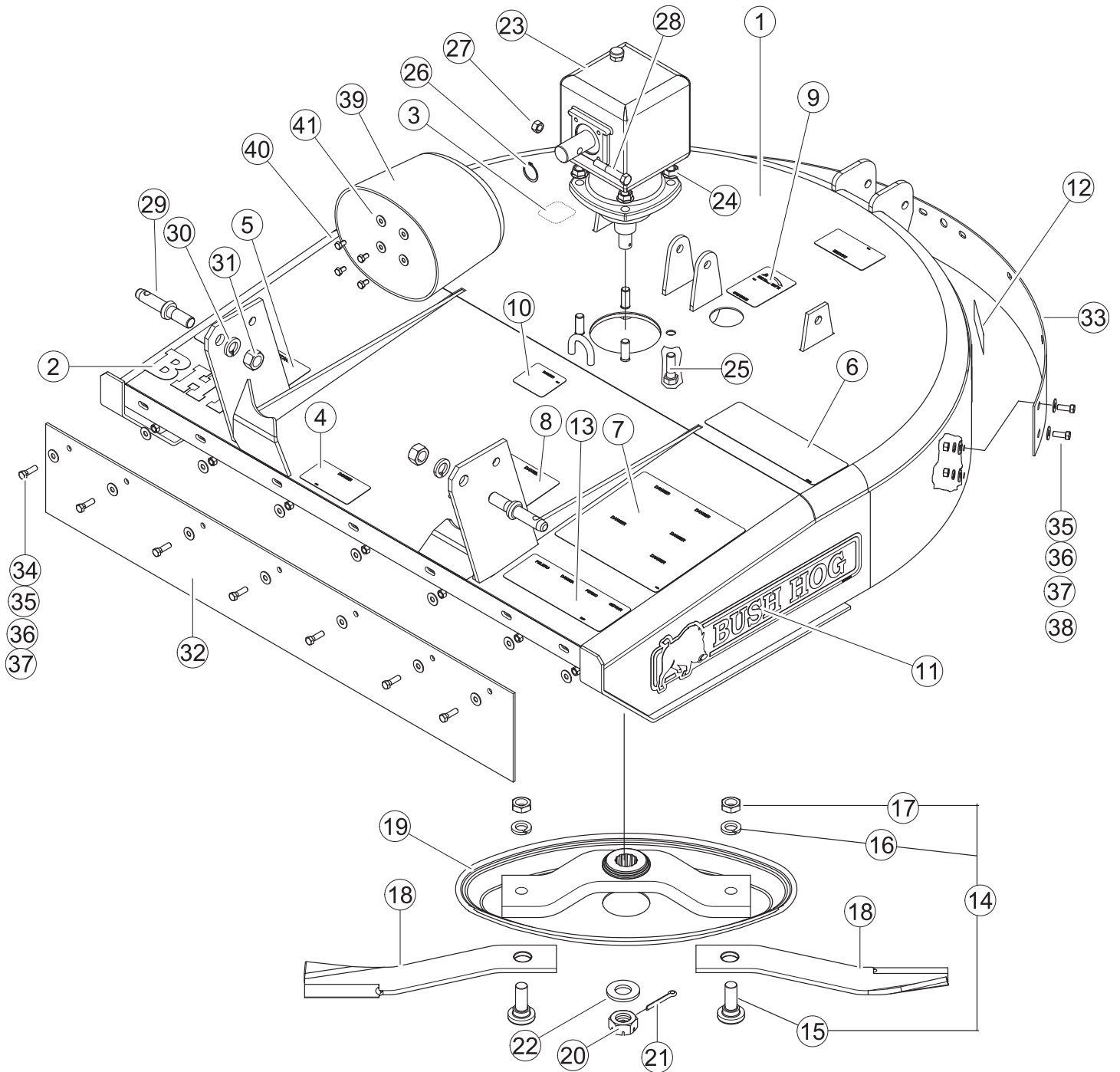
FRONT CHAINS and REAR CHAINS

All Models BH15, BH16, BH17

REF. NO.	PART NO.	DESCRIPTION	QTY. REQ'D.
1	50074799SP	Front Chain Assy. BH15	1
	50074796SP	Front Chain Assy. BH16	1
	50073880SP	Front Chain Assy. BH17	1
2	50017211	Chain, 6 Link BH 15	49
	50017211	Chain, 6 Link BH 16	59
	50017211	Chain, 6 Link BH 17	69
3	50073875	Chain Bracket, Front BH15	1
	50070047	Chain Bracket, Front BH16	1
	50073878	Chain Bracket, Front BH17	1
4	50070149	Retainer Rod, Front BH15	1
	50070049	Retainer Rod, Front BH16	1
	50070112	Retainer Rod, Front BH17	1
5	50070145	Rear Chain Assy. LH, BH15	1
	50070045	Rear Chain Assy. LH, BH16	1
	50070107	Rear Chain Assy. LH, BH17	1
6	50018912	Chain 4 Link	*
7	50070143	Rear Chain Brk't. LH, BH15	1
	50070043	Rear Chain Brk't. LH, BH16	1
	50070106	Rear Chain Brk't. LH, BH17	1
8	50070142	Retainer Rod, Rear, BH15	2
	50070036	Retainer Rod, Rear, BH16	2
	50074289	Retainer Rod, Rear, BH17	2
9	50070146	Rear Chain Assy. RH, BH15	1
	50070046	Rear Chain Assy. RH, BH16	1
	50070109	Rear Chain Assy. RH, BH17	1
10	50070144	Rear Chain Brk't. RH, BH15	1
	50070044	Rear Chain Brk't. RH, BH16	1
	50070108	Rear Chain Brk't. RH, BH17	1
11	44109BH	Carriage Bolt 3/8" x 1" Gr.5 BH15, BH16	*
	5161212	Carriage Bolt 3/8" x 1-1/4" Gr.5 BH17	13
12	15915BH	Flatwasher 3/8"	*
13	15812	Lockwasher 3/8"	*
14	8151200	Hex Nut 3/8"	*
15	5161212	Carriage Bolt 3/8" x1-1/4", BH15, BH16	*
	5161230	Carriage Bolt 3/8" x 3" , BH17	*

*As Required

BASE FRAME ASSEMBLY AII MODEL BH14 ROTARY CUTTER

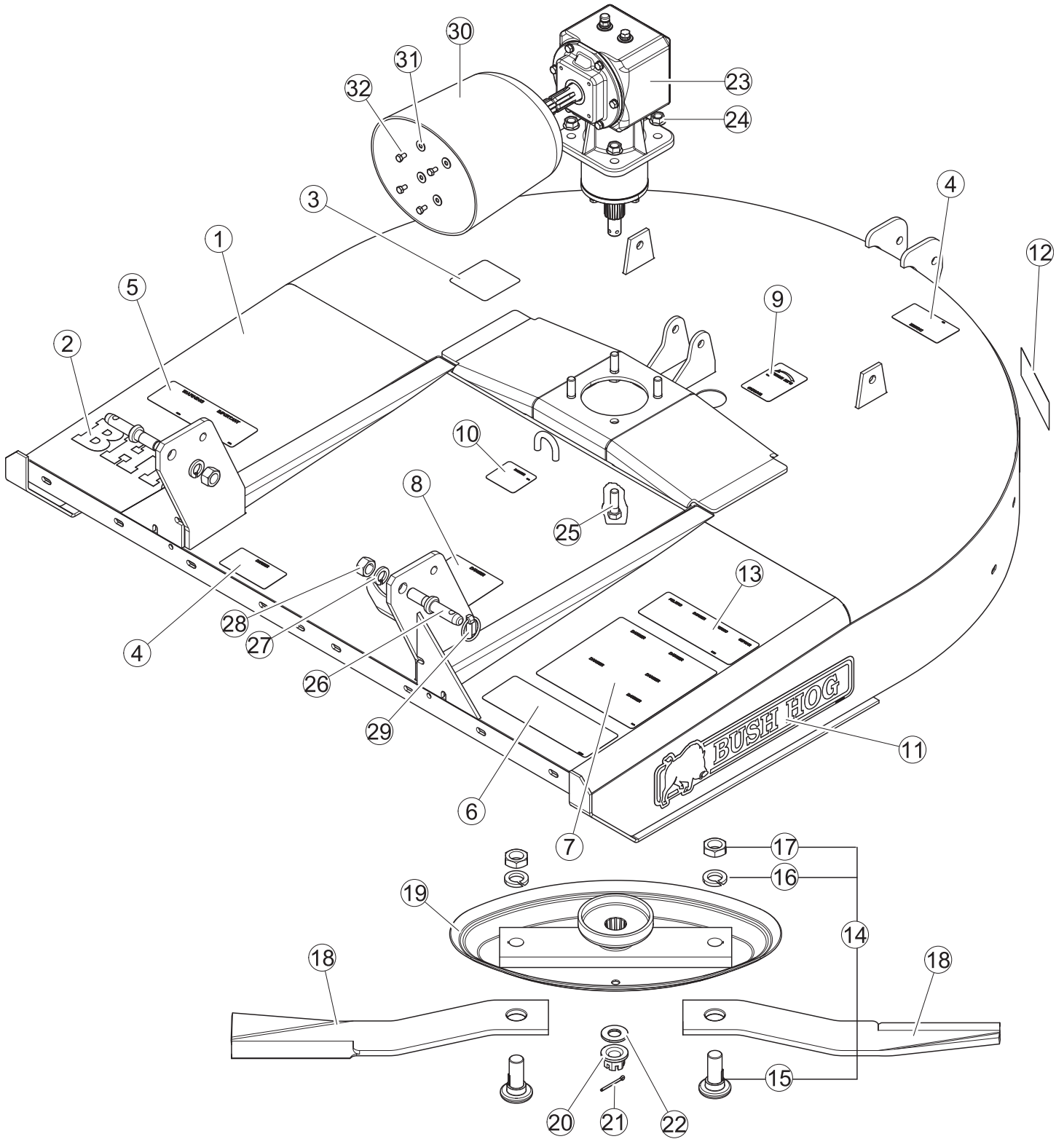


BASE FRAME ASSEMBLY

AII MODEL BH14 ROTARY CUTTER

REF. NO.	PART NO.	DESCRIPTION	QTY. REQ'D.
1	50071029-10	Deck Weldment, BH Red w/Decals	1
	50071029-16	Deck Weldment, JD Green w/Decals	1
	50071029-23	Deck Weldment, Kub Orange w/Decals	1
	50071029-28	Deck Weldment, NH Blue w/Decals	1
2	50070886	Decal, Model BH14	1
3	D454	Decal, Warning Crush Hazard	1
4	D614	Decal, Danger Thrown Objects	2
5	D559	Decal, Genuine BH Parts	1
6	D590	Decal, Lube	1
7	D549	Decal, Operation	1
8	D547	Decal, Danger	1
9	D551	Decal, Blade Rotation	1
10	D546	Decal, Danger	1
11	50061049	Decal, Bush Hog Logo	2
12	50031213	Red Reflector	2
13	D813	Decal, Multilingual	1
14	66516	Blade Bolt Kit	2
15	1259	Blade Bolt	2
16	15824	Lockwasher 7/8"	2
17	15626	Jamb Nut 7/8"	2
18	50053185	Blade	2
19	50068582	Pan Weldment	1
20	70694	Castle Nut	1
21	70699	Cotter Pin	1
22	70695	Flatwasher (Special)	1
23	71281	Gear Box Assy	1
24	20414	Locknut, Flanged 5/8"	4
25	20947	Capscrew 5/8" x 2" Gr.5	4
26	81445	Retaining Ring, External	1
27	8151600	Hex Nut 1/2"	1
28	44357BH	Capscrew 1/2" x 3"	1
29	63765	Lift Pin Cat. 1	2
30	15824	Lockwasher 7/8"	2
31	44061BH	Hex Nut 7/8"	2
32	50071014	Front Belting	1
33	50017080	Rear Band	1
34	1161212	Capscrew 3/8" x 1-1/4"	7
35	15915BH	Flatwasher 3/8"	34
36	15812	Lockwasher 3/8"	17
37	8151200	Hex Nut 3/8"	17
38	20034	Capscrew 3/8" x 1"	10
39	50068436	Shield, Gearbox	1
40	90560	Capscrew M8 x 1.25 x 15 Gr 8.8	4
41	15097BH	Flatwasher M8	4

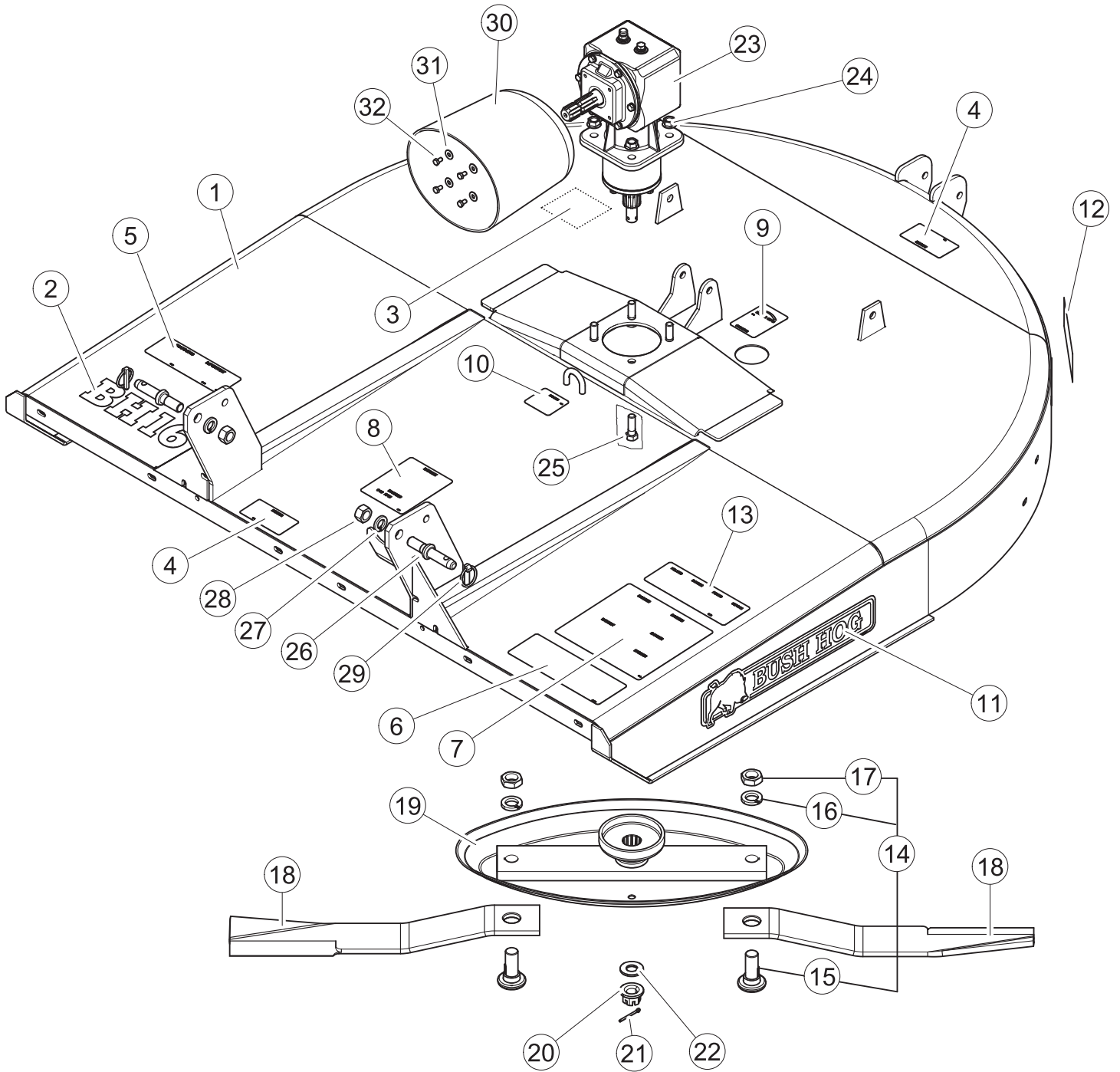
BASE FRAME ASSEMBLY MODEL BH15-1R ROTARY CUTTER



BASE FRAME ASSEMBLY MODEL BH15-1R ROTARY CUTTER

REF. NO.	PART NO.	DESCRIPTION	QTY. REQ'D.
1	50071063-10	Deck Weldment, BH Red w/Decals	1
	50071063-16	Deck Weldment, JD Green w/Decals	1
	50071063-23	Deck Weldment, Kub Orange w/Decals	1
	50071063-28	Deck Weldment, NH Blue w/Decals	1
2	50070887	Decal, Model BH15	1
3	D454	Decal, Warning Crush Hazard	1
4	D614	Decal, Danger Thrown Objects	2
5	D559	Decal, Genuine BH Parts	1
6	D590	Decal, Lube	1
7	D549	Decal, Operation	1
8	D547	Decal, Danger	1
9	D551	Decal, Blade Rotation CCW	1
10	D546	Decal, Danger	1
11	50061049	Decal, Bush Hog Logo	2
12	50031213	Red Reflector	2
13	D813	Decal, Multilingual	1
14	63607	Blade Bolt Kit	2
15	7919BH	Blade Bolt	2
16	20322	Lockwasher 1-1/8"	2
17	252BH	Jamb Nut 1-1/8"	2
18	36BH	Blade	2
19	50071056	Pan Weldment	1
20	00790981	Castle Nut, Flanged M24-2	1
21	20167	Cotter Pin 3/16" x 2	1
22	00791047	Flatwasher (Special) M24	1
23	00791014	Gear Box Assy	1
24	20414	Locknut, Flanged 5/8"	4
25	20947	Capscrew 5/8" x 2" Gr.5	4
26	63765	Lift Pin Cat. 1	2
27	15824	Lockwasher 7/8"	2
28	44061BH	Hex Nut 7/8"	2
29	2850005	Klik Pin	2
30	81592	Gearbox Shield	1
31	15907BH	Flatwasher 5/16"	4
32	90560	Capscrew M8 x 1.25 x 15 Gr8.8	4

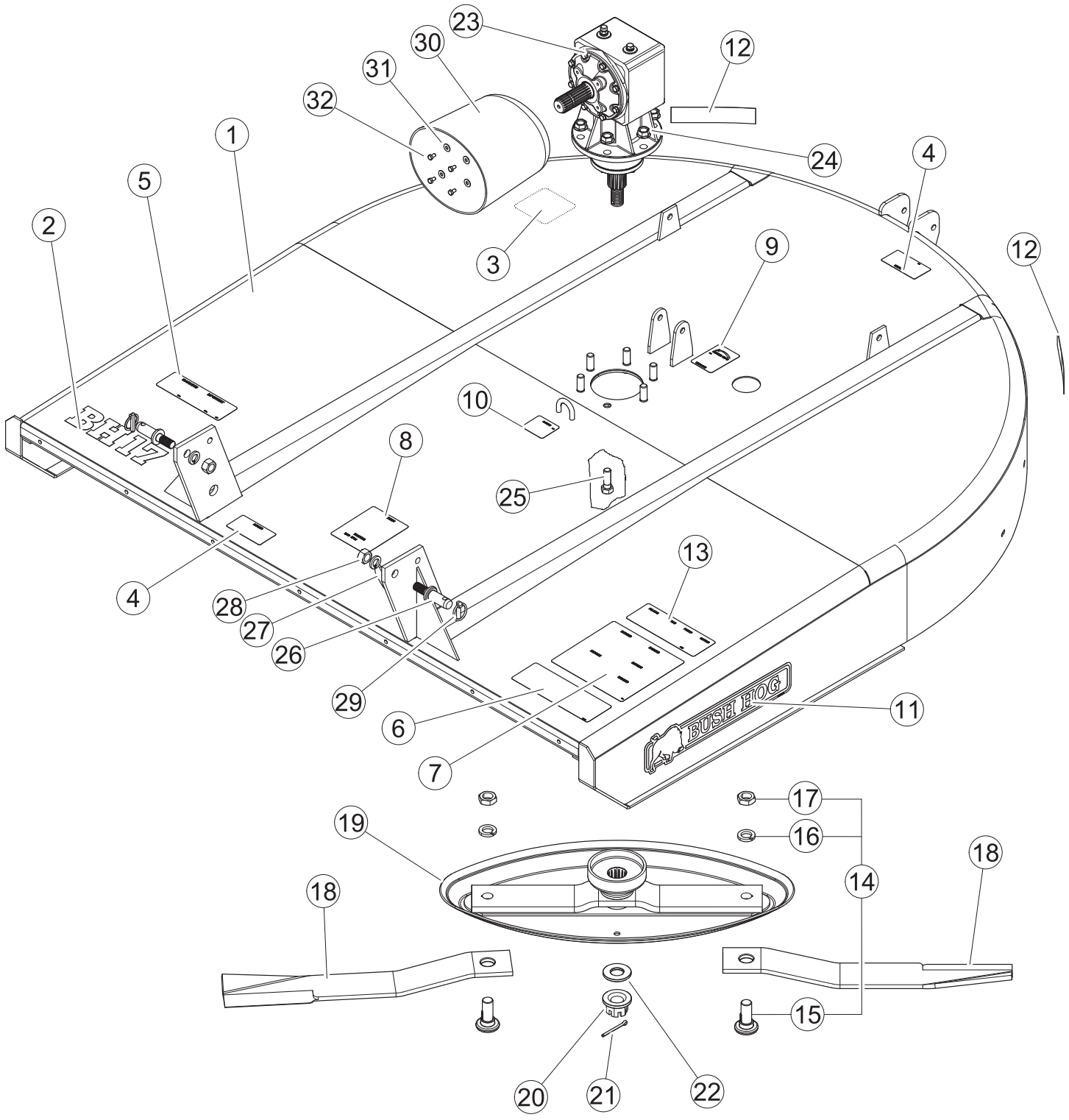
BASE FRAME ASSEMBLY MODEL BH16-1R ROTARY CUTTER



BASE FRAME ASSEMBLY MODEL BH16-1R ROTARY CUTTER

REF. NO.	PART NO.	DESCRIPTION	QTY. REQ'D.
1	50070834-10	Deck Weldment, BH Red w/Decals	1
	50070834-16	Deck Weldment, JD Green w/Decals	1
	50070834-23	Deck Weldment, Kub Orange w/Decals	1
	50070834-28	Deck Weldment, NH Blue w/Decals	1
2	50070881	Decal, Model BH16	1
3	D454	Decal, Warning Crush Hazard	1
4	D614	Decal, Danger Thrown Objects	2
5	D559	Decal, Genuine BH Parts	1
6	D590	Decal, Lube	1
7	D549	Decal, Operation	1
8	D547	Decal, Danger	1
9	D551	Decal, Blade Rotation CCW	1
10	D546	Decal, Danger	1
11	50061049	Decal, Bush Hog Logo	2
12	50031213	Red Reflector	2
13	D813	Decal, Multilingual	1
14	63607	Blade Bolt Kit	2
15	7919BH	Blade Bolt	2
16	20322	Lockwasher 1-1/8"	2
17	252BH	Jamb Nut 1-1/8"	2
18	7556BH	Blade	2
19	50070859	Pan Weldment	1
20	00790981	Castle Nut, Flanged M24-2	1
21	20167	Cotter Pin 3/16" x 2	1
22	00791047	Flatwasher (Special) M24	1
23	00791015	Gear Box Assy	1
24	20414	Locknut, Flanged 5/8"	4
25	20947	Capscrew 5/8" x 2" Gr.5	4
26	63765	Lift Pin Cat. 1	2
27	15824	Lockwasher 7/8"	2
28	44061BH	Hex Nut 7/8"	2
29	2850005	Klik Pin	2
30	81592	Gearbox Shield	1
31	15907BH	Flatwasher 5/16"	4
32	90560	Capscrew M8 x 1.25 x 15 Gr8.8	4

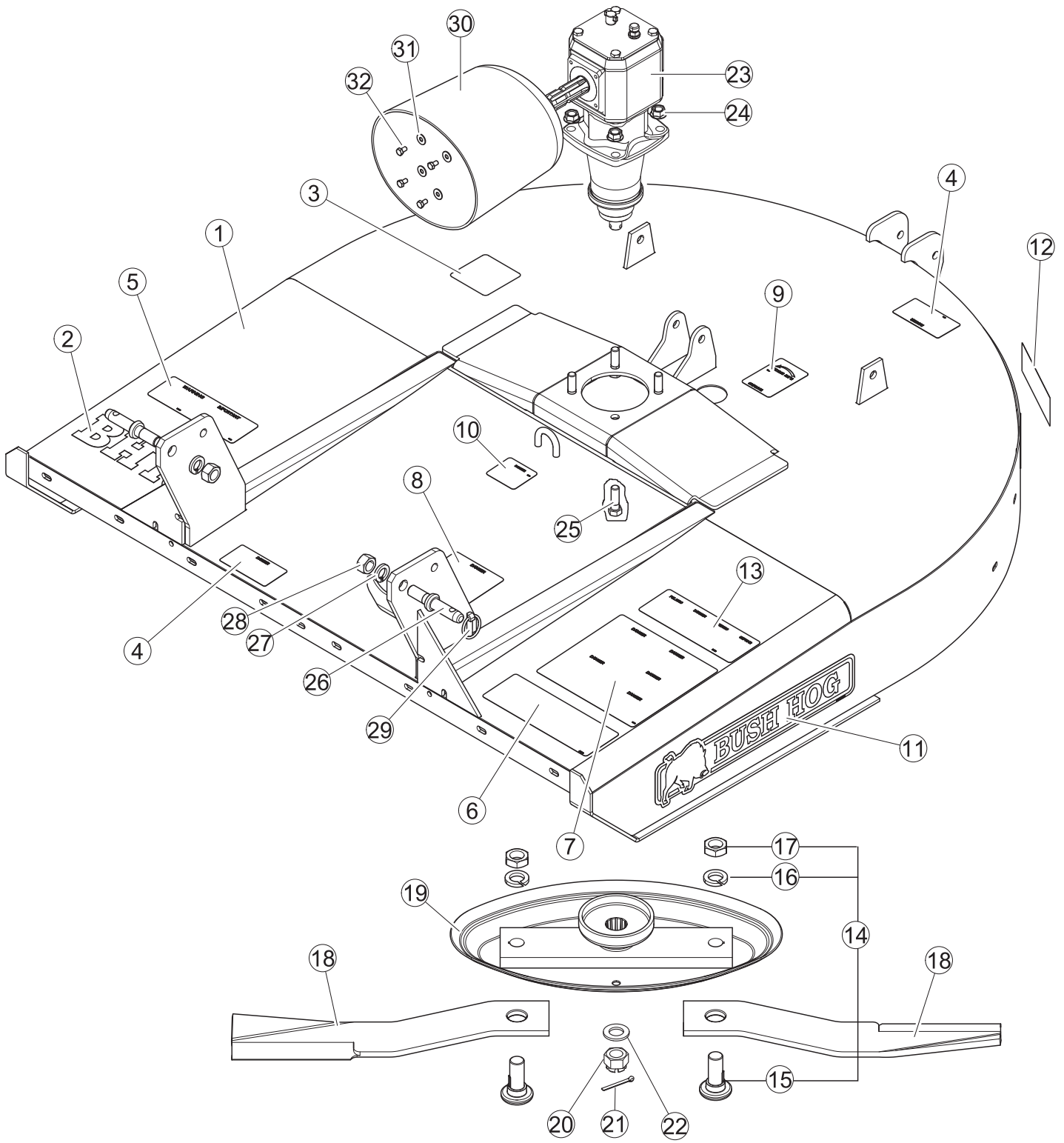
BASE FRAME ASSEMBLY MODEL BH17-1R ROTARY CUTTER



BASE FRAME ASSEMBLY MODEL BH17-1R ROTARY CUTTER

REF. NO.	PART NO.	DESCRIPTION	QTY. REQ'D.
1	50070996-10	Deck Weldment, BH Red w/Decals	1
	50070996-16	Deck Weldment, JD Green w/Decals	1
	50070996-23	Deck Weldment, Kub Orange w/Decals	1
	50070996-28	Deck Weldment, NH Blue w/Decals	1
2	50070888	Decal, Model BH17	1
3	D454	Decal, Warning Crush Hazard	1
4	D614	Decal, Danger Thrown Objects	2
5	D559	Decal, Genuine BH Parts	1
6	D590	Decal, Lube	1
7	D549	Decal, Operation	1
8	D547	Decal, Danger	1
9	D551	Decal, Blade Rotation CCW	1
10	D546	Decal, Danger	1
11	50061049	Decal, Bush Hog Logo	2
12	50031214	Red Reflector	2
13	D813	Decal, Multilingual	1
14	63607	Blade Bolt Kit	2
15	7919BH	Blade Bolt	2
16	20322	Lockwasher 1-1/8"	2
17	252BH	Jamb Nut 1-1/8"	2
18	7557BH	Blade	2
19	50070990	Pan Weldment	1
20	00790981	Castle Nut, Flanged M24-2	1
21	20167	Cotter Pin 3/16" x 2	1
22	00791047	Flatwasher (Special) M24	1
23	00790987	Gear Box Assy	1
24	20299	Locknut, Flanged 3/4"	4
25	20510	Capscrew 3/4" x 2-1/4" Gr.5	4
26	197	Lift Pin Cat. II	2
27	15824	Lockwasher 7/8"	2
28	44061BH	Hex Nut 7/8"	2
29	2850005	Klik Pin	2
30	81592	Gearbox Shield	1
31	15907BH	Flatwasher 5/16"	4
32	90560	Capscrew M8 x 1.25 x 15 Gr 8.8	4

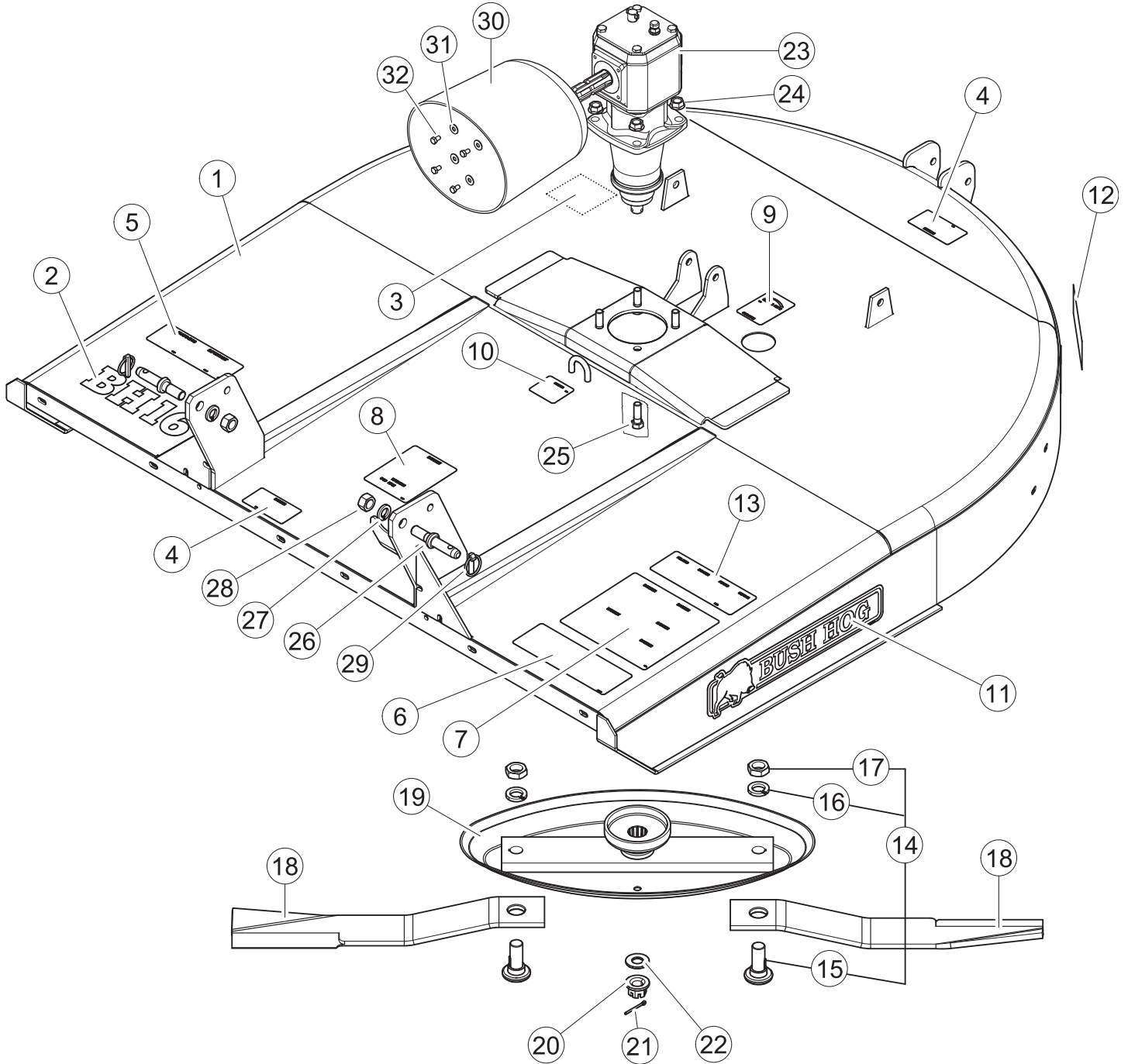
BASE FRAME ASSEMBLY MODEL BH15-2R ROTARY CUTTER



BASE FRAME ASSEMBLY MODEL BH15-2R ROTARY CUTTER

REF. NO.	PART NO.	DESCRIPTION	QTY. REQ'D.
1	50071063-10	Deck Weldment, BH Red w/Decals	1
	50071063-16	Deck Weldment, JD Green w/Decals	1
	50071063-23	Deck Weldment, Kub Orange w/Decals	1
	50071063-28	Deck Weldment, NH Blue w/Decals	1
2	50070887	Decal, Model BH15	1
3	D454	Decal, Warning Crush Hazard	1
4	D614	Decal, Danger Thrown Objects	2
5	D559	Decal, Genuine BH Parts	1
6	D590	Decal, Lube	1
7	D549	Decal, Operation	1
8	D547	Decal, Danger	1
9	D551	Decal, Blade Rotation CCW	1
10	D546	Decal, Danger	1
11	50061049	Decal, Bush Hog Logo	2
12	50031213	Red Reflector	2
13	D813	Decal, Multilingual	1
14	63607	Blade Bolt Kit	2
15	7919BH	Blade Bolt	2
16	20322	Lockwasher 1-1/8"	2
17	252BH	Jamb Nut 1-1/8"	2
18	36BH	Blade	2
19	50072536	Pan Weldment	1
20	00754777	Castle Nut, Flanged M24-2	1
21	70497	Cotter Pin m5 x 50	1
22	00778246	Flatwasher (Special) M25x44x4	1
23	00791028	Gear Box Assy	1
24	20414	Locknut, Flanged 5/8"	4
25	20947	Capscrew 5/8" x 2" Gr.5	4
26	63765	Lift Pin Cat. 1	2
27	15824	Lockwasher 7/8"	2
28	44061BH	Hex Nut 7/8"	2
29	2850005	Klik Pin	2
30	81592	Gearbox Shield	1
31	15907BH	Flatwasher 5/16"	4
32	90560	Capscrew M8 x 1.25 x 15 Gr8.8	4

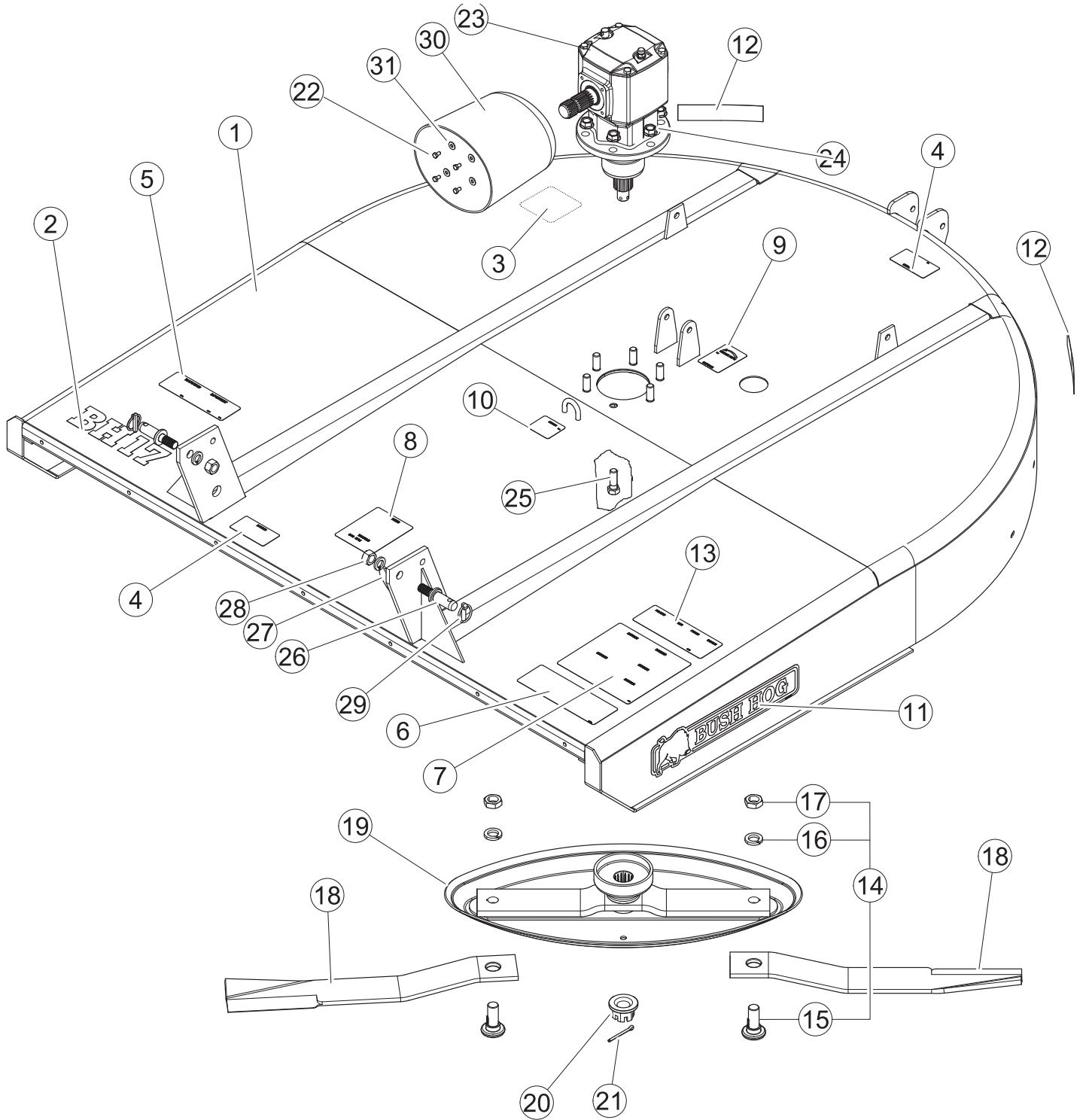
BASE FRAME ASSEMBLY MODEL BH16-2R ROTARY CUTTER



BASE FRAME ASSEMBLY MODEL BH16-2R ROTARY CUTTER

REF. NO.	PART NO.	DESCRIPTION	QTY. REQ'D.
1	50070834-10	Deck Weldment, BH Red w/Decals	1
	50070834-16	Deck Weldment, JD Green w/Decals	1
	50070834-23	Deck Weldment, Kub Orange w/Decals	1
	50070834-28	Deck Weldment, NH Blue w/Decals	1
2	50070881	Decal, Model BH16	1
3	D454	Decal, Warning Crush Hazard	1
4	D614	Decal, Danger Thrown Objects	2
5	D559	Decal, Genuine BH Parts	1
6	D590	Decal, Lube	1
7	D549	Decal, Operation	1
8	D547	Decal, Danger	1
9	D551	Decal, Blade Rotation CCW	1
10	D546	Decal, Danger	1
11	50061049	Decal, Bush Hog Logo	2
12	50031213	Red Reflector	2
13	D813	Decal, Multilingual	1
14	63607	Blade Bolt Kit	2
15	7919BH	Blade Bolt	2
16	20322	Lockwasher 1-1/8"	2
17	252BH	Jamb Nut 1-1/8"	2
18	7556BH	Blade	2
19	50072538	Pan Weldment	1
20	00754777	Castle Nut, Flanged M24-2	1
21	70497	Cotter Pin m5 x 50	1
22	00778246	Flatwasher (Special) M25x44x4	1
23	00791027	Gear Box Assy	1
24	20414	Locknut, Flanged 5/8"	4
25	20947	Capscrew 5/8" x 2" Gr.5	4
26	63765	Lift Pin Cat. 1	2
27	15824	Lockwasher 7/8"	2
28	44061BH	Hex Nut 7/8"	2
29	2850005	Klik Pin	2
30	81592	Gearbox Shield	1
31	15907BH	Flatwasher 5/16"	4
32	90560	Capscrew M8 x 1.25 x 15 Gr8.8	4

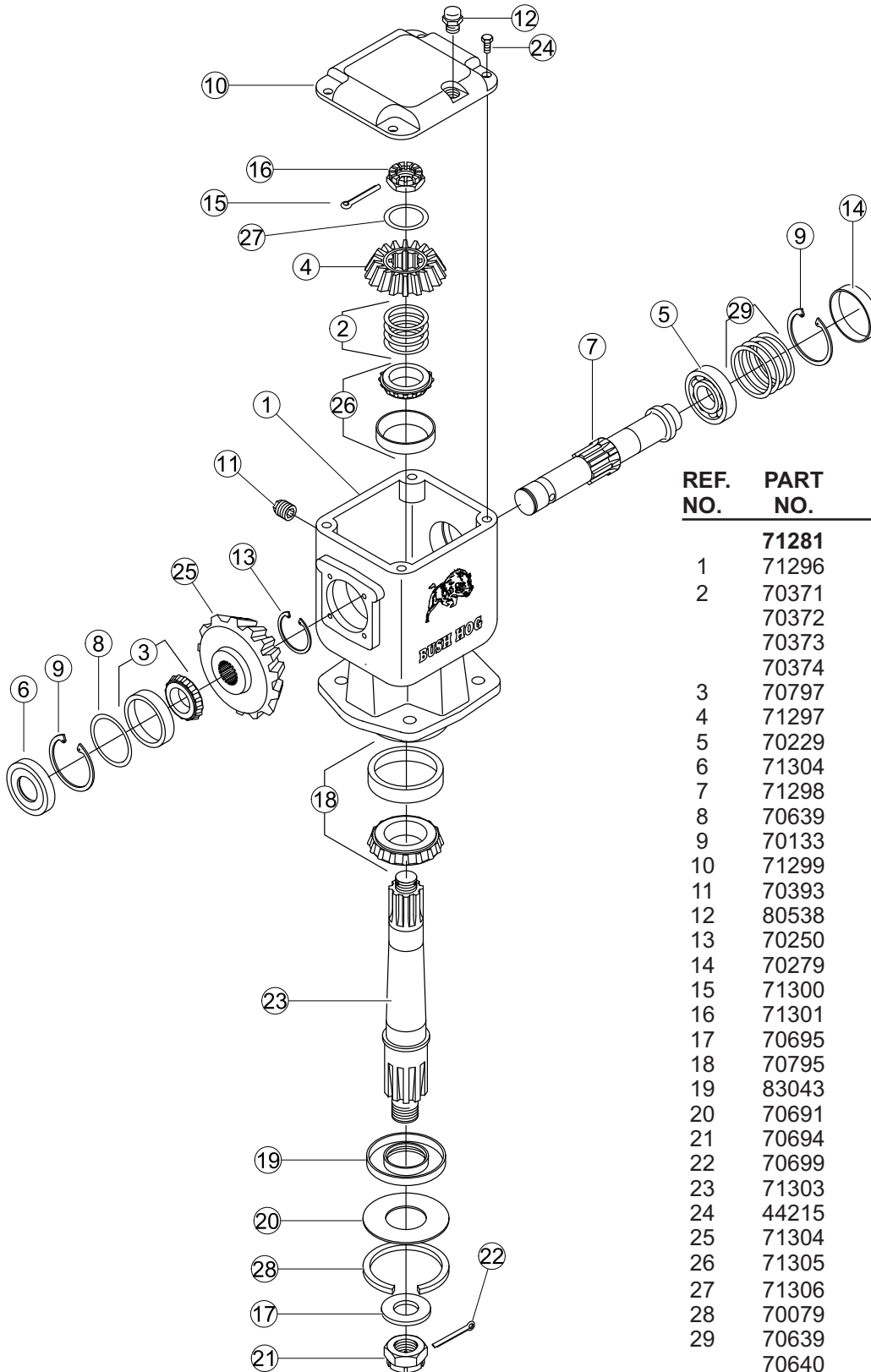
BASE FRAME ASSEMBLY MODEL BH17-2R ROTARY CUTTER



BASE FRAME ASSEMBLY MODEL BH17-2R ROTARY CUTTER

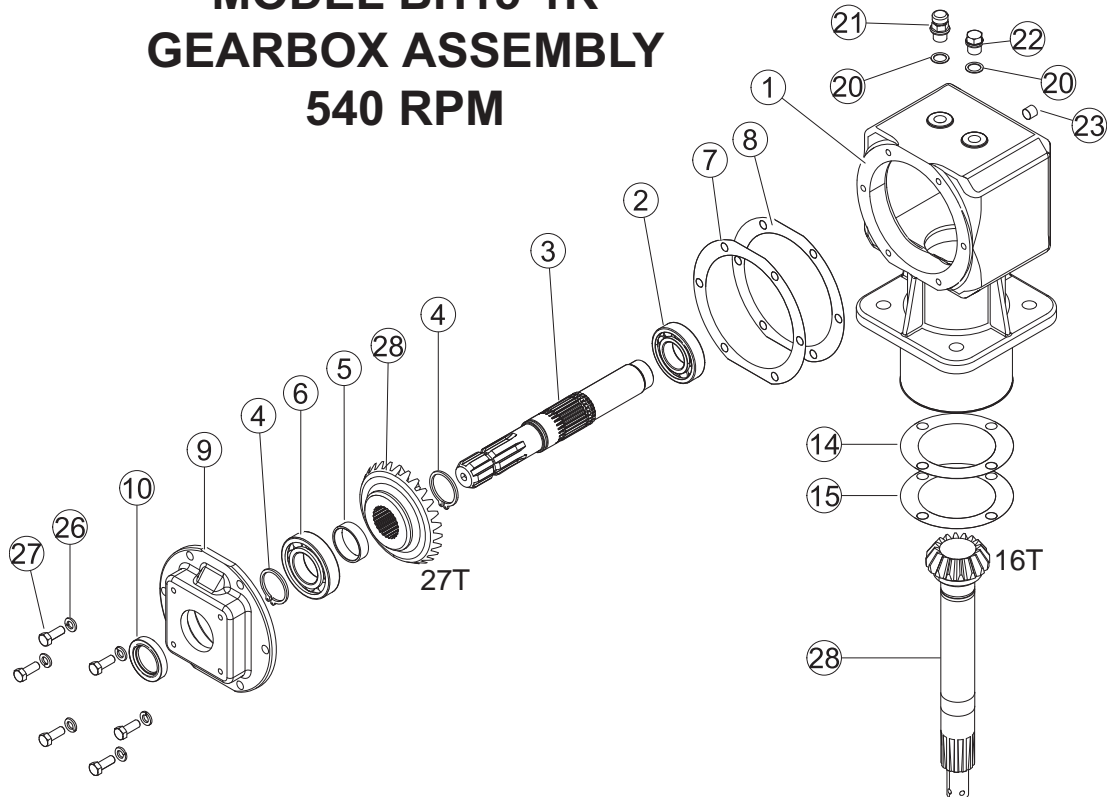
REF. NO.	PART NO.	DESCRIPTION	QTY. REQ'D.
1	50070996-10	Deck Weldment, BH Red w/Decals	1
	50070996-16	Deck Weldment, JD Green w/Decals	1
	50070996-23	Deck Weldment, Kub Orange w/Decals	1
	50070996-28	Deck Weldment, NH Blue w/Decals	1
2	50070888	Decal, Model BH17	1
3	D454	Decal, Warning Crush Hazard	1
4	D614	Decal, Danger Thrown Objects	2
5	D559	Decal, Genuine BH Parts	1
6	D590	Decal, Lube	1
7	D549	Decal, Operation	1
8	D547	Decal, Danger	1
9	D551	Decal, Blade Rotation CCW	1
10	D546	Decal, Danger	1
11	50061049	Decal, Bush Hog Logo	2
12	50031214	Red Reflector	2
13	D813	Decal, Multilingual	1
14	63607	Blade Bolt Kit	2
15	7919BH	Blade Bolt	2
16	20322	Lockwasher 1-1/8"	2
17	252BH	Jamb Nut 1-1/8"	2
18	7557BH	Blade	2
19	50072540	Pan Weldment	1
20	00791093	Castle Nut, Flanged M30-2	1
21	2716423	Cotter Pin M6x60	1
22	90560	Capscrew M8 x 1.25 x 15 Gr 8.8	4
23	00791057	Gear Box Assy	1
24	20299	Locknut, Flanged 3/4"	4
25	20510	Capscrew 3/4" x 2-1/4" Gr.5	4
26	197	Lift Pin Cat. II	2
27	15824	Lockwasher 7/8"	2
28	44061BH	Hex Nut 7/8"	2
29	2850005	Klik Pin	2
30	81592	Gearbox Shield	1
31	15907BH	Flatwasher 5/16"	4

MODEL BH14-1R GEARBOX ASSEMBLY 540 RPM



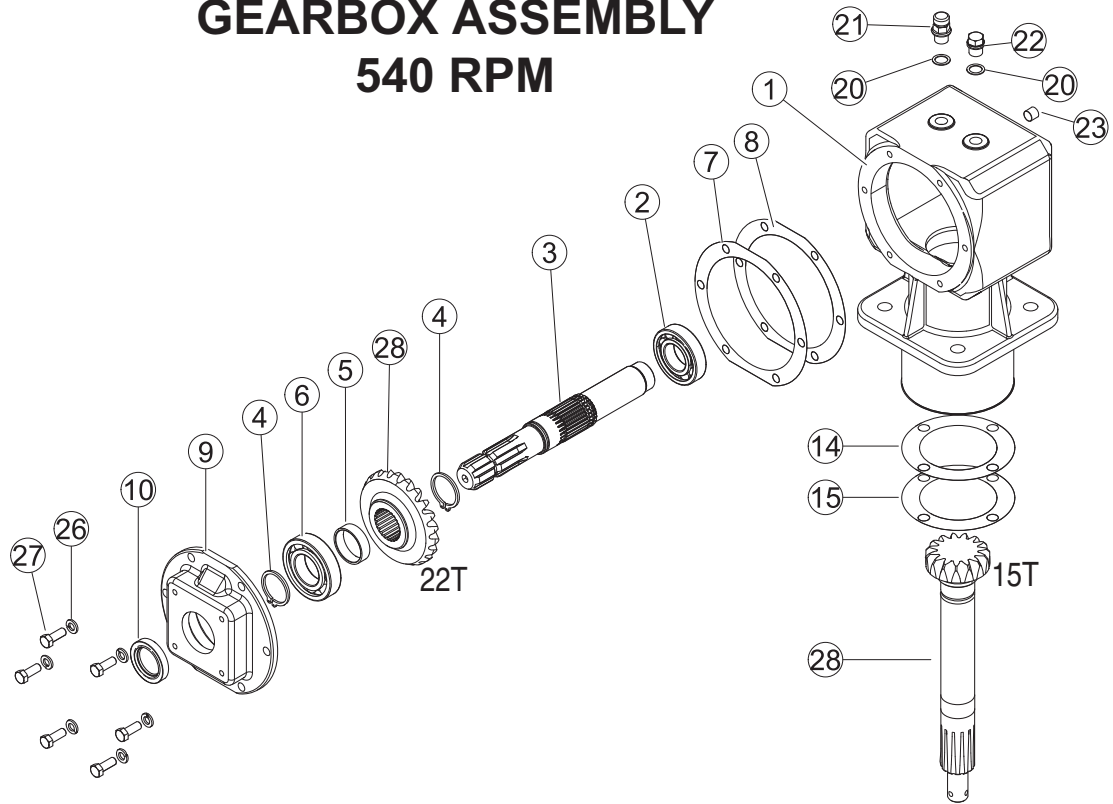
REF. NO.	PART NO.	DESCRIPTION	QTY.
	71281	Gearbox Assembly	1
1	71296	Casting	1
2	70371	Shim 43 x 30.3 x .3	1
	70372	Shim 43 x 30.3 x .4	1
	70373	Shim 43 x 30.3 x .5	1
	70374	Shim 43 x 30.3 x 1	1
3	70797	Roller Bearing	1
4	71297	Gear, Pinion, 13 Teeth	1
5	70229	Ball Bearing 6207	1
6	71304	Oil Seal	1
7	71298	Input Shaft	1
8	70639	Shim 60.3 x 71.7 x .3	1
9	70133	Snap Ring	2
10	71299	Top Plate	1
11	70393	Gas Plug	2
12	80538	Vent Plug	2
13	70250	Snap Ring	1
14	70279	Plug	1
15	71300	Cotter Pin	1
16	71301	Castle Nut M20 x 1	1
17	70695	Flatwasher 25 x 44 x 4	1
18	70795	Roller Bearing	1
19	83043	Oil Seal 40 x 80 x 12	1
20	70691	Protective Washer	1
21	70694	Castle Nut M24 x 2	1
22	70699	Cotter Pin 5 x 50	1
23	71303	Output Shaft	1
24	44215	Bolt, M8 x 1.25 x 15	4
25	71304	Gear, Crown, 25 Spline	1
26	71305	Roller Bearing	1
27	71306	Flatwasher 21 x 37 x 1	1
28	70079	Snap Ring	1
29	70639	Shim 60.3 x 71.7 x .3	1
	70640	Shim 60.3 x 71.7 x .4	2
	70641	Shim 60.3 x 71.7 x .5	2
	70642	Shim 60.3 x 71.7 x 1.0	2

MODEL BH15-1R GEARBOX ASSEMBLY 540 RPM

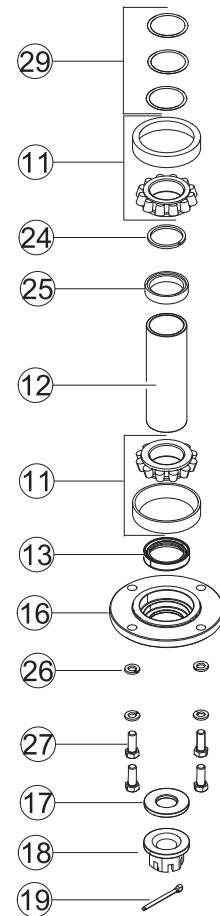


REF. NO.	PART NO.	DESCRIPTION	QTY.
	00791014	Gearbox Assembly	1
1	00791016	Gearbox Housing	1
2	71453	Bearing Assy. 6207	1
3	00791018	Shaft, Input	1
4	00790979	Retaining Ring	2
5	00790980	Spacer, Input Shaft	1
6	70256	Bearing Assy. 6208	1
7	00790975	Gasket, Input .13mm	1
8	00790976	Gasket, Input .30mm	1
9	00791017	Cap, Input Shaft	1
10	00790973	Seal, 54 x 34.925 x 10	1
11	70795	Bearing, Tapered 30208	2
12	00790982	Spacer, Output Shaft	1
13	00790974	Seal 54 x 39.7 x 9.5	1
14	00790977	Gasket, Output.13mm	1
15	00790978	Gasket, Output .30mm	1
16	00791025	Cap, Output	1
17	00791047	Washer, M24 x .5mm	1
18	00790981	Nut, M24-2 Slotted/Flange	1
19	20167	Cotter Pin 3/16 x 2	1
20	00790983	Washer Seal	2
21	00790985	Plug, Vent	1
22	00790984	Plug, Level	1
23	13032	Plug, Socket Hd.	1
24	00790997	Retainer Ring 40mm	1
25	00790912	Spacer	1
26	15812	Lockwasher 3/8"	10
27	20034	Capscrew 3/8" x 1" Gr.5	10
28	00790966	Gear Set Kit (16T & 27T)	1
29	00790969	Shim Kit	1

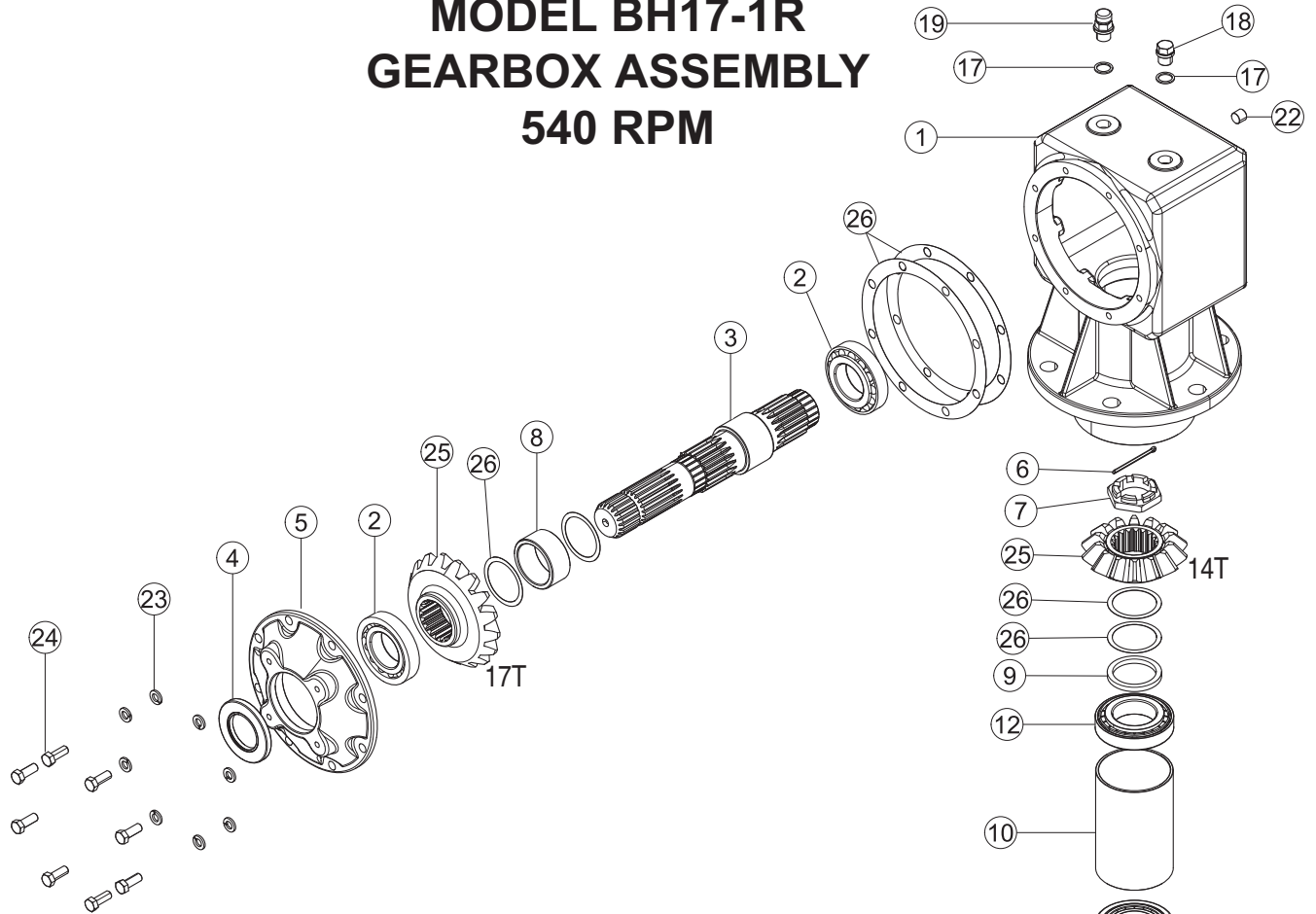
MODEL BH16-1R GEARBOX ASSEMBLY 540 RPM



REF. NO.	PART NO.	DESCRIPTION	QTY.
	00791015	Gearbox Assembly	1
1	00791016	Gearbox Housing	1
2	71453	Bearing Assy. 6207	1
3	00791018	Shaft, Input	1
4	00790979	Retaining Ring	2
5	00790980	Spacer, Input Shaft	1
6	70256	Bearing Assy. 6208	1
7	00790975	Gasket, Input .13mm	1
8	00790976	Gasket, Input .30mm	1
9	00791017	Cap, Input Shaft	1
10	00790973	Seal, 54 x 34.925 x 10	1
11	70795	Bearing, Tapered 30208	2
12	00790982	Spacer, Output Shaft	1
13	00790974	Seal 54 x 39.7 x 9.5	1
14	00790977	Gasket, Output.13mm	1
15	00790978	Gasket, Output .30mm	1
16	00791025	Cap, Output	1
17	00791047	Washer, M24 x .5mm	1
18	00790981	Nut, M24-2 Slotted/Flange	1
19	20167	Cotter Pin 3/16 x 2	1
20	00790983	Washer Seal	2
21	00790985	Plug, Vent	1
22	00790984	Plug, Level	1
23	13032	Plug, Socket Hd.	1
24	00790997	Retainer Ring 40mm	1
25	00790912	Spacer	1
26	15812	Lockwasher 3/8"	10
27	20034	Capscrew 3/8" x 1" Gr.5	10
28	00790986	Gear Set Kit (15T & 22T)	1
29	00790969	Shim Kit	1

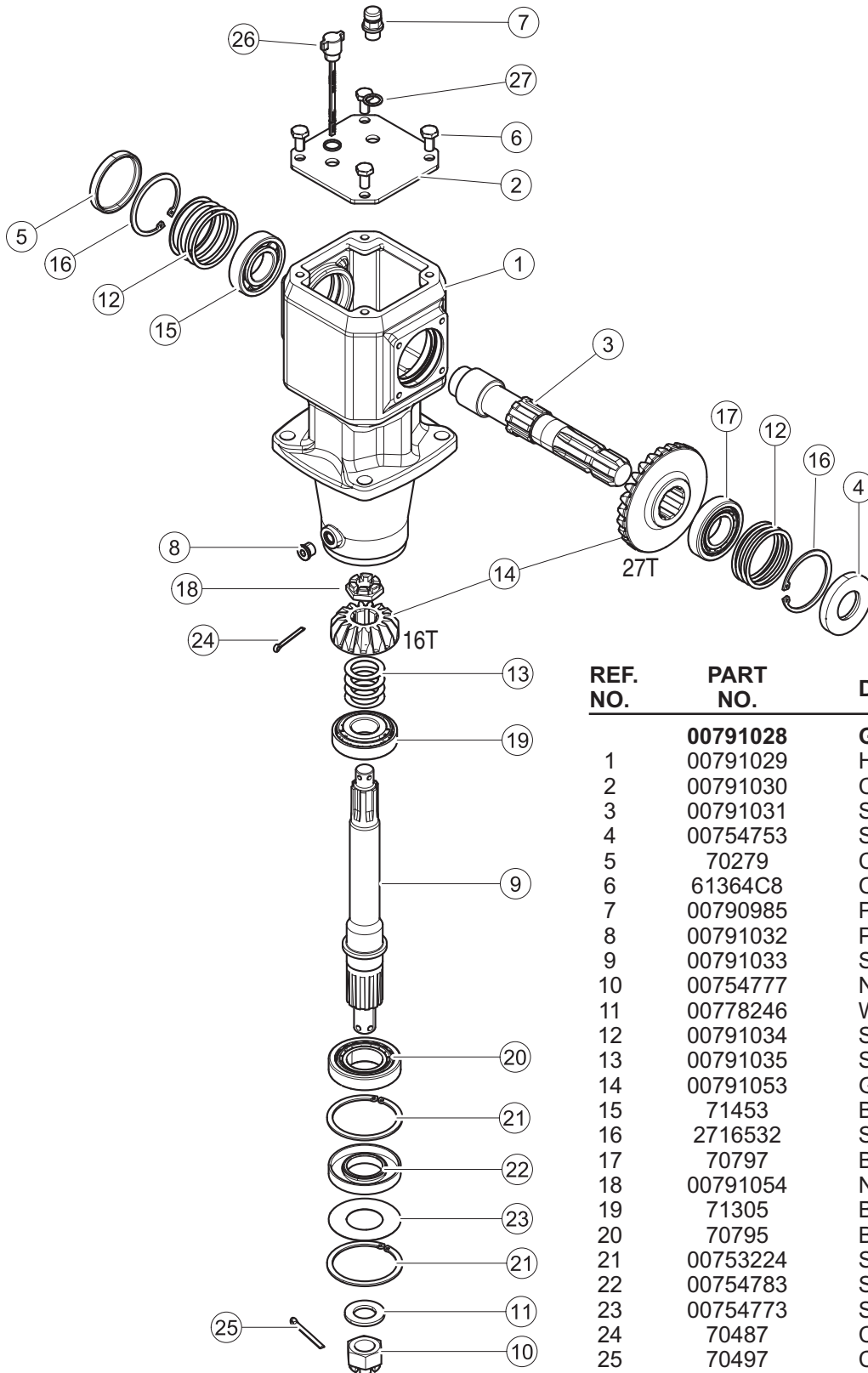


MODEL BH17-1R GEARBOX ASSEMBLY 540 RPM



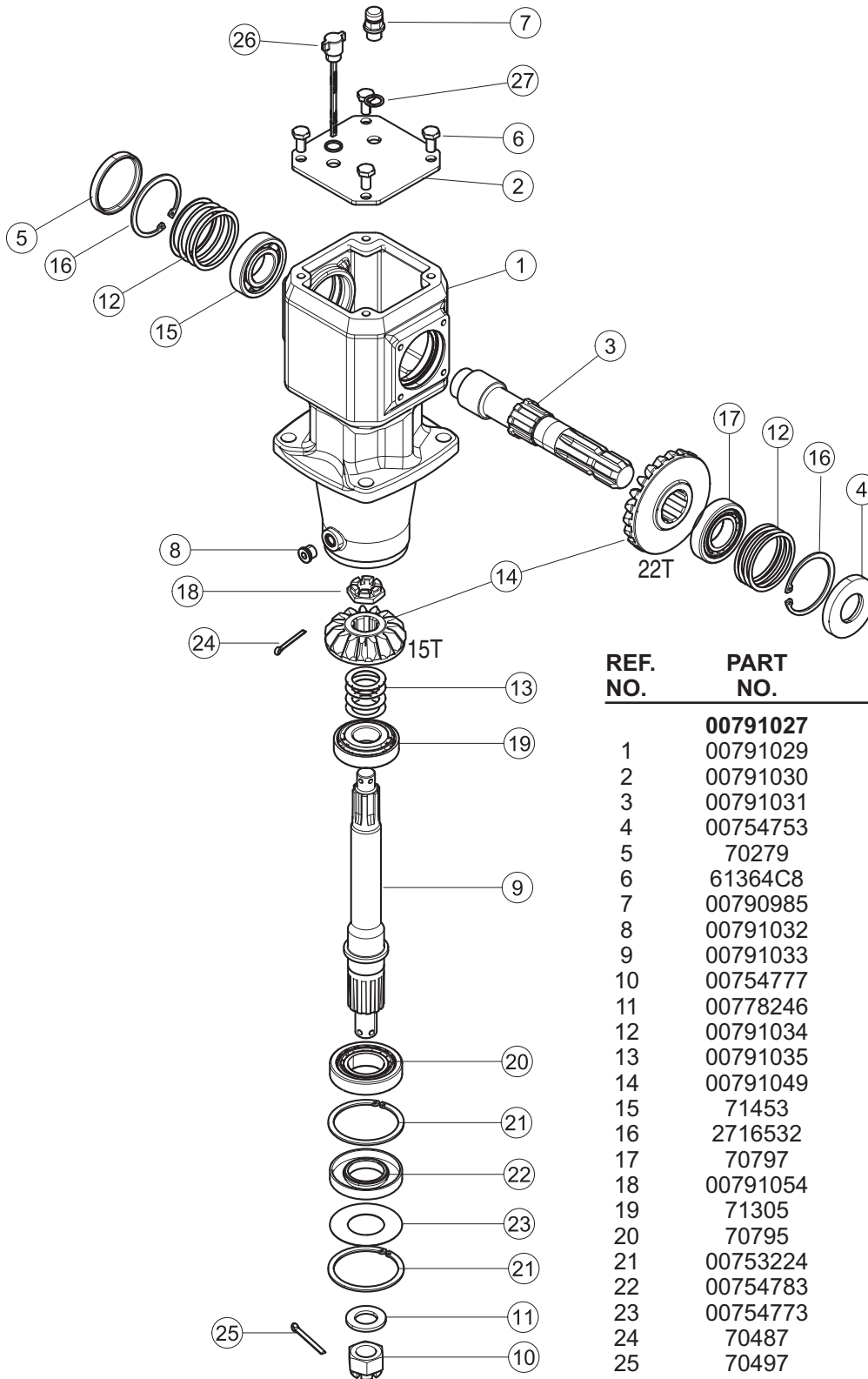
REF. NO.	PART NO.	DESCRIPTION	QTY.
	00790987	Gearbox Assembly	1
1	00791021	Gearbox Housing	1
2	70796	Bearing Assy. 30209	2
3	00790953	Shaft, Input	1
4	00790961	Seal, Oil 44.45 x 76 x 8	2
5	00791022	Cap, Input Shaft	1
6	00770421	Cotter Pin 3.6mm x 65mm	1
7	00762121	Nut, M42-1.5 Slotted	1
8	00790964	Spacer, Input Shaft	1
9	00790965	Spacer, Gear Mount	1
10	00790963	Spacer, Output Shaft	1
11	00790960	Shaft, Output	1
12	70800	Bearing Assy. 30210	2
13	00758674	Seal, 50 x70 x10	1
14	00758676	Gasket, Output .10mm	1
15	00758677	Gasket, Output .25	1
16	00790962	Cap, Output	1
17	00790983	Washer, Seal	2
18	00790984	Plug, Level	1
19	00790985	Plug, Vent	1
20	00790981	Nut, M24 -2 Slotted / Flanged	1
21	20167	Cotter Pin 3/16" x 2"	1
22	13032	Plug, Socket Hd.	1
23	15812	Lockwasher 3/8"	12
24	20034	Capscrew 3/8" x 1" Gr.5	12
25	00790954	Gear Set Kit (14T & 17T)	1
26	00790959	Shim Kit	1

MODEL BH15-2R GEARBOX ASSEMBLY 540 RPM



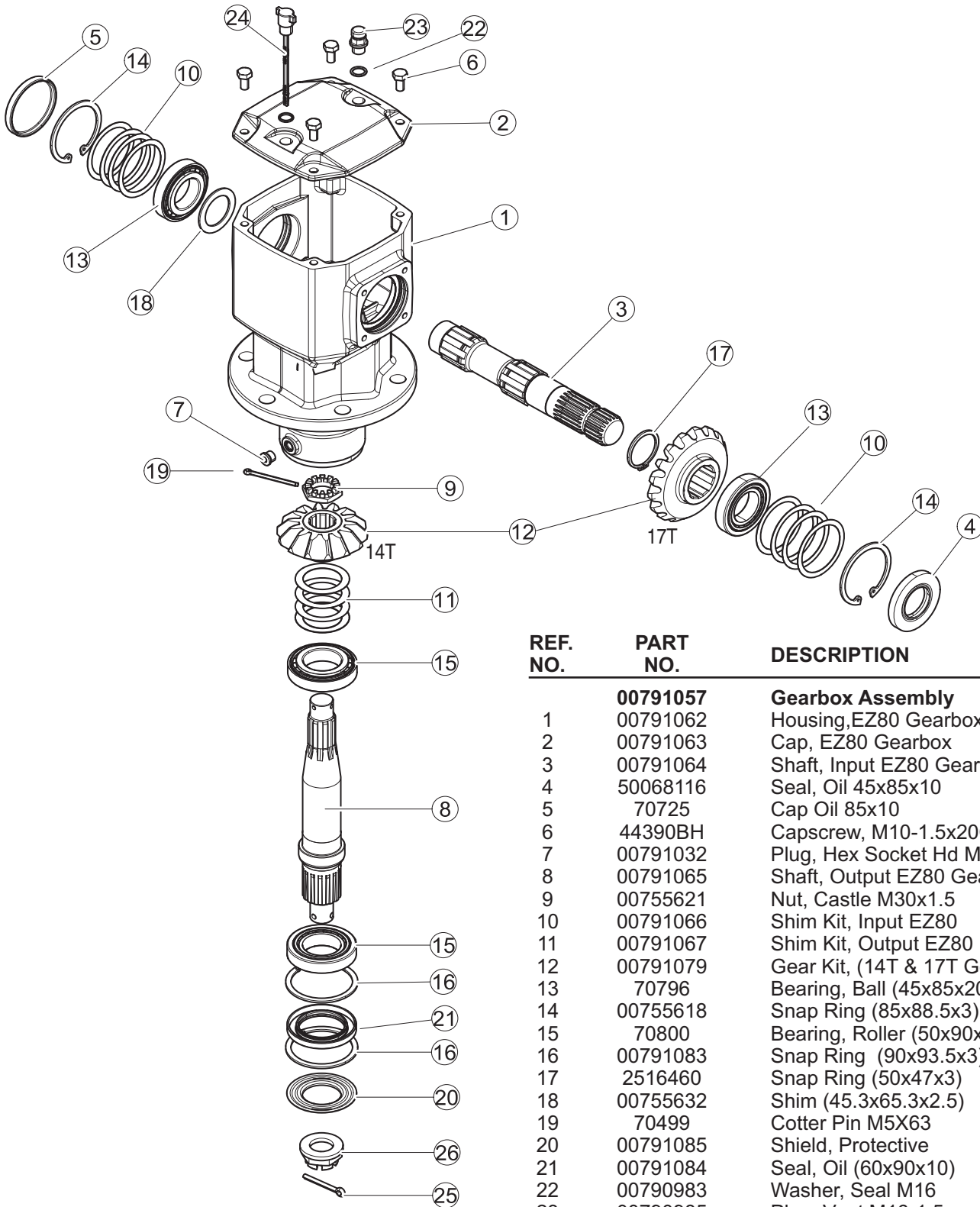
REF. NO.	PART NO.	DESCRIPTION	QTY.
	00791028	Gearbox Assembly	1
1	00791029	Housing, EZ40 Gearbox	1
2	00791030	Cap, EZ40 Gearbox	1
3	00791031	Shaft, Input EZ40 Gearbox	1
4	00754753	Seal, Oil 35x72x10	1
5	70279	Cap Oil 72x10	1
6	61364C8	Capscrew, M10-1.5x16Gr.8.8	4
7	00790985	Plug, Vent M16-1.5	1
8	00791032	Plug, Hex Socket Hd M6	1
9	00791033	Shaft, Output EZ40 Gearbox	1
10	00754777	Nut, Castle M24x2.0	1
11	00778246	Washer, Hardened M25x44x4	1
12	00791034	Shim Kit, Input EZ40	2
13	00791035	Shim Kit, Output EZ40	1
14	00791053	Gear Kit, (16T & 27T Gears)	1
15	71453	Bearing, Ball (35x72x17)	1
16	2716532	Snap Ring (72x75x2.5)	2
17	70797	Bearing, Roller (35x72x18.25)	1
18	00791054	Nut, Castle M20x1.5	1
19	71305	Bearing, Roller (30x72x20.75)	1
20	70795	Bearing, Roller (40x80x19.75)	1
21	00753224	Snap Ring	2
22	00754783	Seal, 40x80x12	1
23	00754773	Shield, Protective	1
24	70487	Cotter Pin M4x40	1
25	70497	Cotter Pin M5x50	1
26	4038609	Dipstick	1
27	00790983	Seal Washer	1

MODEL BH16-2R GEARBOX ASSEMBLY 540 RPM



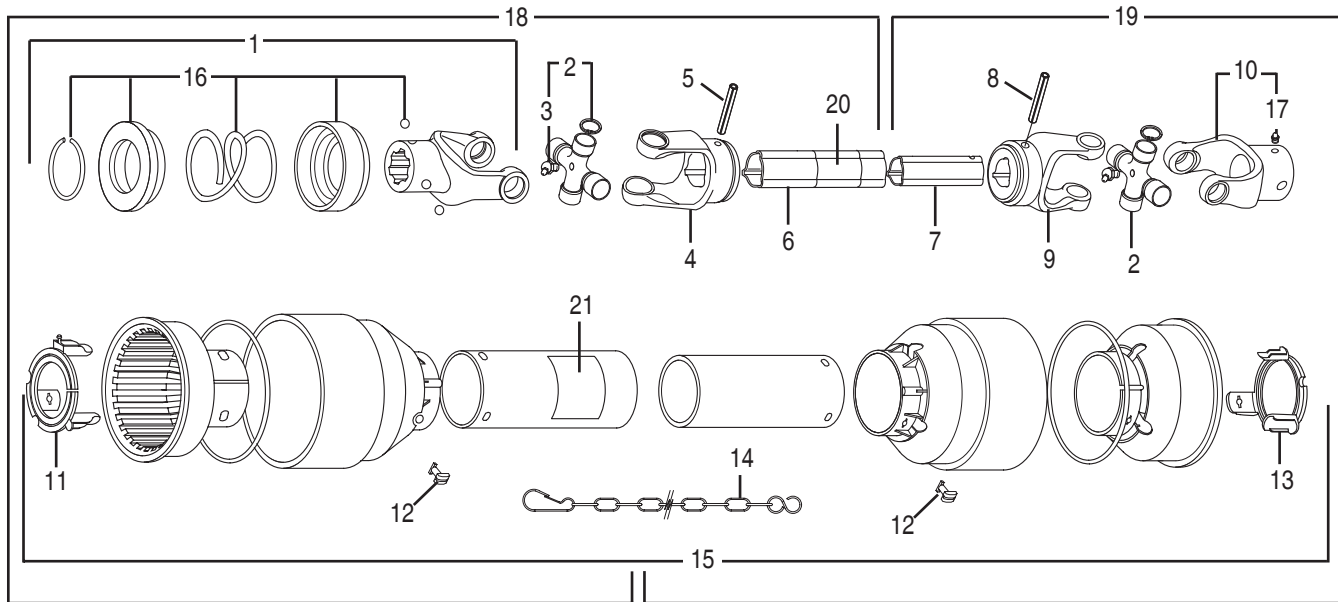
REF. NO.	PART NO.	DESCRIPTION	QTY.
	00791027	Gearbox Assembly	1
1	00791029	Housing, EZ40 Gearbox	1
2	00791030	Cap, EZ40 Gearbox	1
3	00791031	Shaft, Input EZ40 Gearbox	1
4	00754753	Seal, Oil 35x72x10	1
5	70279	Cap Oil 72x10	1
6	61364C8	Capscrew, M10-1.5x16Gr.8.8	4
7	00790985	Plug, Vent M16-1.5	1
8	00791032	Plug, Hex Socket Hd M6	1
9	00791033	Shaft, Output EZ40 Gearbox	1
10	00754777	Nut, Castle M24x2.0	1
11	00778246	Washer, Hardened M25x44x4	1
12	00791034	Shim Kit, Input EZ40	2
13	00791035	Shim Kit, Output EZ40	1
14	00791049	Gear Kit, (15T & 22T Gears)	1
15	71453	Bearing, Ball (35x72x17)	1
16	2716532	Snap Ring (72x75x2.5)	2
17	70797	Bearing, Roller (35x72x18.25)	1
18	00791054	Nut, Castle M20x1.5	1
19	71305	Bearing, Roller (30x72x20.75)	1
20	70795	Bearing, Roller (40x80x19.75)	1
21	00753224	Snap Ring	2
22	00754783	Seal, 40x80x12	1
23	00754773	Shield, Protective	1
24	70487	Cotter Pin M4x40	1
25	70497	Cotter Pin M5x50	1
26	4038609	Dipstick	1
27	00790983	Seal Washer	1

MODEL BH17-2R GEARBOX ASSEMBLY 540 RPM

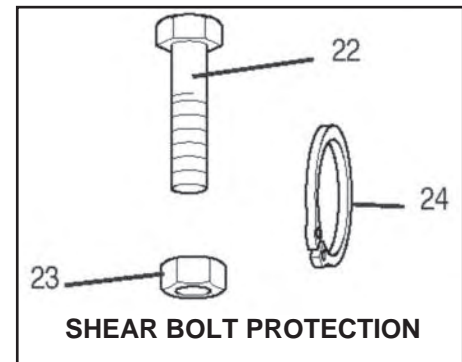


REF. NO.	PART NO.	DESCRIPTION	QTY.
	00791057	Gearbox Assembly	1
1	00791062	Housing, EZ80 Gearbox	1
2	00791063	Cap, EZ80 Gearbox	1
3	00791064	Shaft, Input EZ80 Gearbox	1
4	50068116	Seal, Oil 45x85x10	1
5	70725	Cap Oil 85x10	1
6	44390BH	Capscrew, M10-1.5x20Gr.8.8	4
7	00791032	Plug, Hex Socket Hd M6	1
8	00791065	Shaft, Output EZ80 Gearbox	1
9	00755621	Nut, Castle M30x1.5	1
10	00791066	Shim Kit, Input EZ80	2
11	00791067	Shim Kit, Output EZ80	1
12	00791079	Gear Kit, (14T & 17T Gears)	1
13	70796	Bearing, Ball (45x85x20.75)	2
14	00755618	Snap Ring (85x88.5x3)	2
15	70800	Bearing, Roller (50x90x21.75)	2
16	00791083	Snap Ring (90x93.5x3)	2
17	2516460	Snap Ring (50x47x3)	1
18	00755632	Shim (45.3x65.3x2.5)	1
19	70499	Cotter Pin M5X63	1
20	00791085	Shield, Protective	1
21	00791084	Seal, Oil (60x90x10)	1
22	00790983	Washer, Seal M16	1
23	00790985	Plug, Vent M16-1.5	1
24	4038611	Dipstick	1
25	2716423	Cotter Pin M6x60	1
26	00791093	Nut, Castle M30-2.5	1

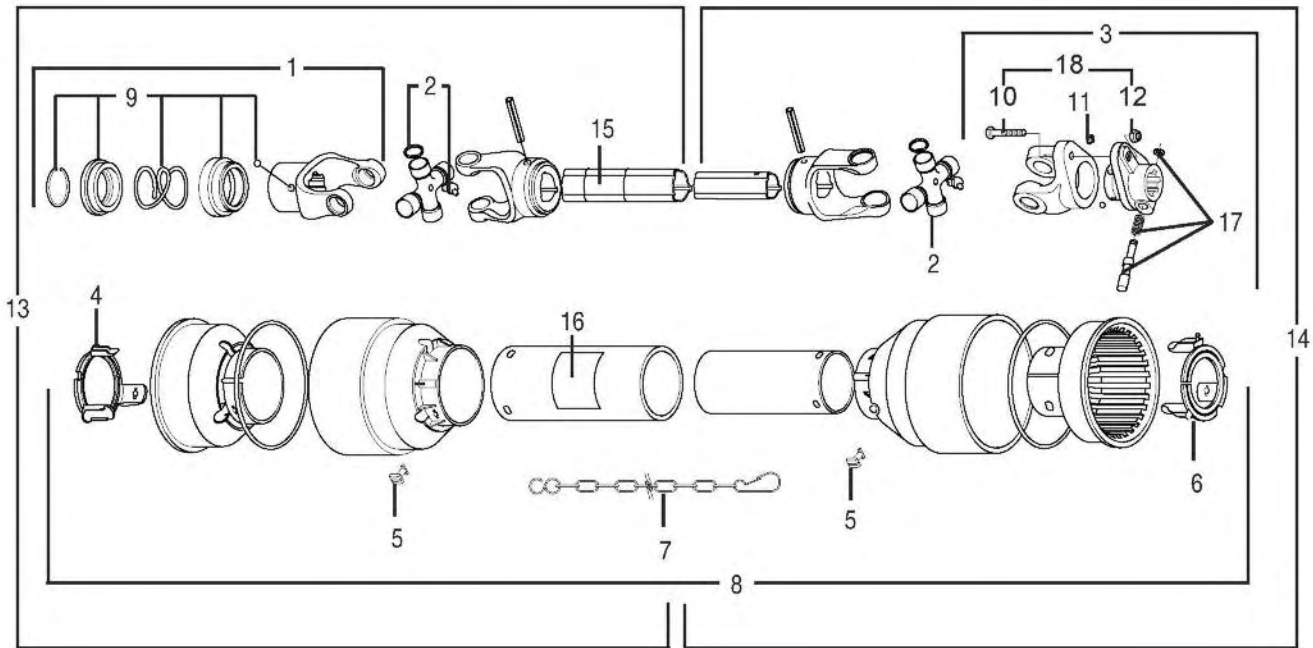
MODEL BH14-1R DRIVELINE ASSEMBLY 540 RPM



REF. NO.	PART NO.	DESCRIPTION	QTY.
	76733	Driveshaft Assembly	1
1	76711	Complete Collar Yoke	1
2	64694	Cross Journal Set	2
3	63956	Grease Nipple	2
4	78571	Outer Yoke	1
5	78577	Roll Pin for Outer Tube	1
6	82800	Outer Tube	1
7	82801	Inner Tube	1
8	78578	Roll Pin for Inner Tube	1
9	78570	Inner Yoke	1
10	81447	Yoke w/ Grease Nipple	1
11	76192	Guard Retaining Collar, Outer	1
12	87992	Bolt	6
13	76191	Guard Retaining Collar, Inner	1
14	64814	Safety Chain	2
15	50053145	Complete Shield w/ Instr.	1
16	50017480	Ball Collar Kit 1-3/8"	1
17	63946	Grease Nipple	1
18	76808	Half Female Shaft w/ Shield	1
19	76099	Half Male Shaft w/ Shield	1
20	78786	Danger Decal, Outer Tube	1
21	78608	Danger Decal, Outer Shield	1
22	44357	Shear Bolt 1/2" x 3"	1
23	8151600	Hex Nut 1/2"	1
24	81445	Retaining Ring	1



ALL MODELS BH15 & BH16 DRIVELINE ASSEMBLY With OFFSET SHEAR BOLT 540 RPM



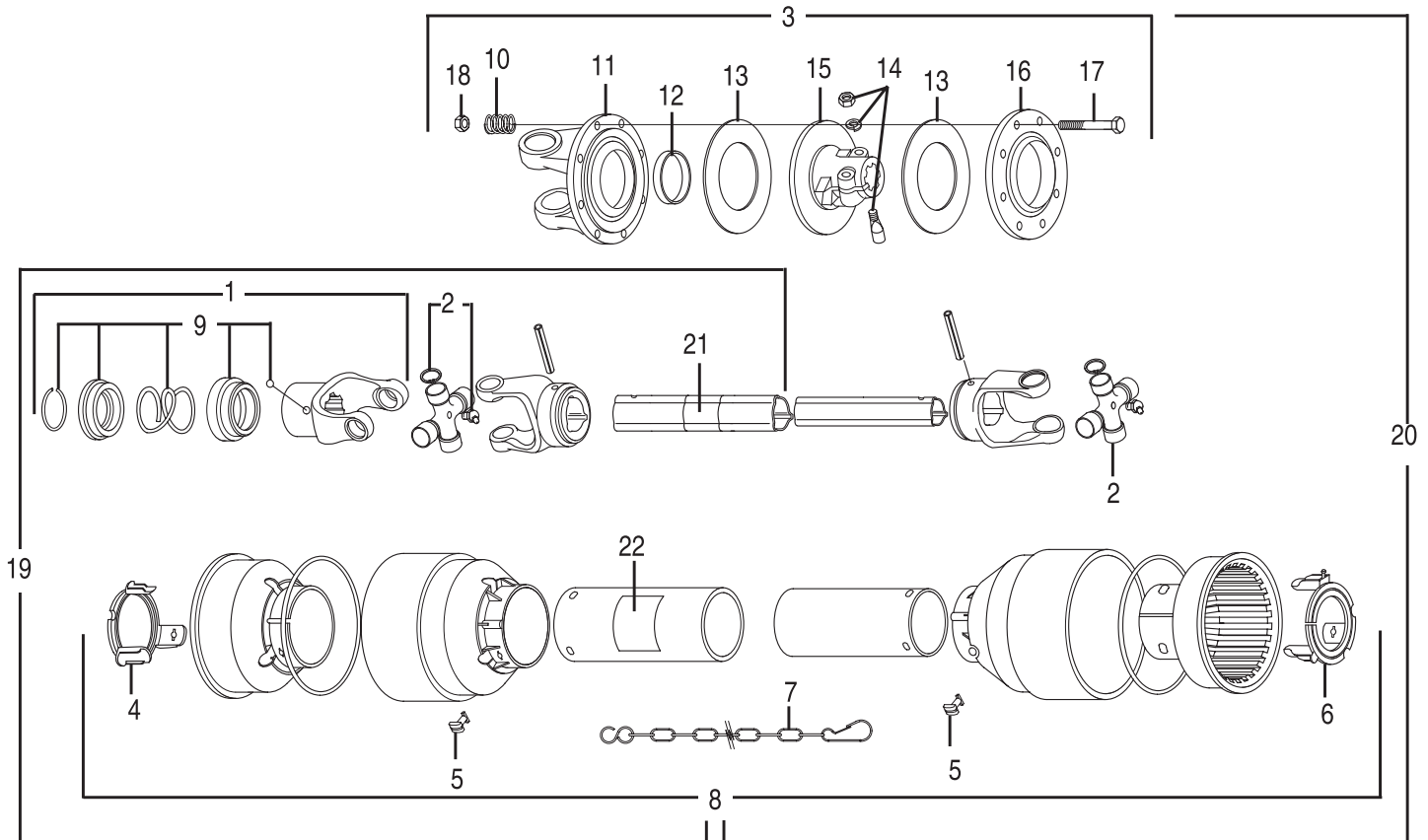
DRIVESHAFT for Models BH15 with OFFSET SHEAR BOLT

DRIVESHAFT for Models BH16 with OFFSET SHEAR BOLT

REF. NO.	PART NO.	DESCRIPTION	QTY. REQ'D.
	50053123SP	Driveshaft Assy for BH15	1
1	76711	Complete Collar Yoke	1
2	64694	Cross Journal Set	2
3	99847	Complete Shear Bolt Yoke	1
4	50053143	Guard Retaining Collar, Outer	1
5	50056404	Bolt	6
6	50053144	Guard Retaining Collar, Inner	1
7	64814	Safety Chain	2
8	50053145	Complete Shield	1
9	50017480	Ball Collar Kit1-3/8"	2
10	44275BH	Capscrew M8 x 1.25 x 50	6
11	63946	Grease Fitting	1
12	44306BH	Hex Nut M8 x 1.25	6
13	50053146	Half Female Shaft w/ Shield	1
14	50053154	Half Male Shaft w/ Shield	1
15	78786	Danger Decal, Outer Tube	1
16	78608	Danger Decal, Outer Shield	1
17	76062	Push Pin Set	1
18	81976	Shear Bolt (Pkg.of 5)	1

REF. NO.	PART NO.	DESCRIPTION	QTY. REQ'D.
	50053131SP	Driveshaft Assy for BH16	1
1	76801	Complete Collar Yoke	1
2	64610	Cross Journal Set	2
3	76616	Complete Shear Bolt Yoke	1
4	50053169	Guard Retaining Collar, Outer	1
5	50056404	Bolt	6
6	50053240	Guard Retaining Collar, Inner	1
7	64814	Safety Chain	2
8	50053246	Complete Shield	1
9	50017480	Ball Collar Kit1-3/8"	2
10	44525	Capscrew M10 x 1.5 x 55 Gr8.8	6
11	63946	Grease Fitting	1
12	44154	Hex Nut M10 x 1.5	6
13	-----	Order Complete Driveshaft Assy.	1
14	-----	Order Complete Driveshaft Assy.	1
15	78786	Danger Decal, Outer Tube	1
16	78608	Danger Decal, Outer Shield	1
17	76062	Push Pin Set	1
18	69136	Shear Bolt Package of 5	1
	81977	Shear Bolt Hardened (Package of 5)	1

ALL MODELS BH15 and BH16 DRIVELINE ASSEMBLY With SLIP CLUTCH 540 RPM



DRIVESHAFT for Models BH16 with SLIP CLUTCH

(REPLACED BY DRIVESHAFT 50074076SP)
(50074076 REPLACED BY 50076083)

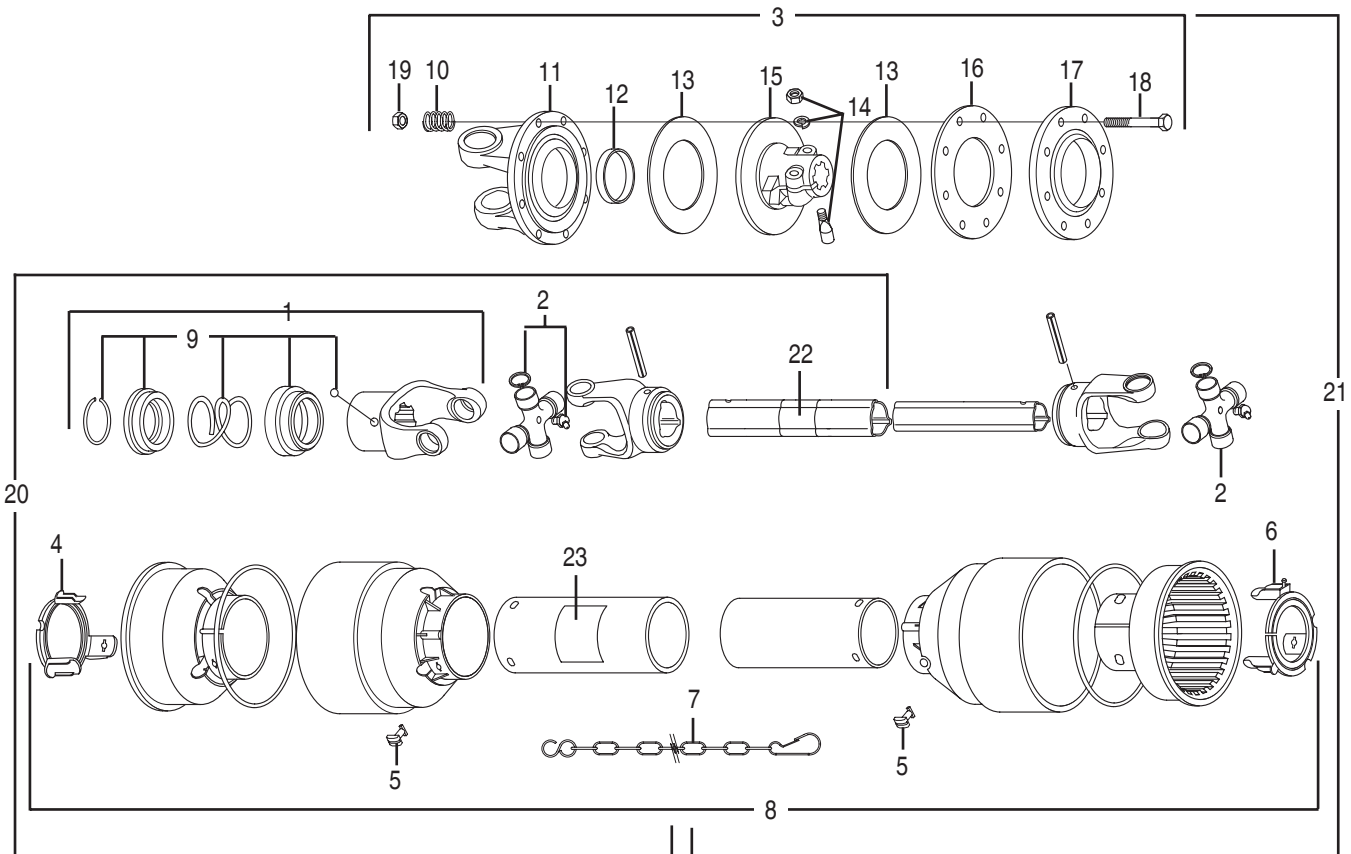
REF. NO.	PART NO.	DESCRIPTION	QTY.
	50053125SP	Driveshaft Assy for BH16 (Obsolete)	1
1	76711	Complete Collar Yoke	1
2	64694	Cross Journal Set	2
3	76152	Complete Disc Clutch	1
4	50053143	Guard Retaining Collar, Outer	1
5	50050289	Bolt	6
6	50053144	Guard Retaining Collar, Inner	1
7	64814	Safety Chain	2
8	50053158	Complete Shield (50053125)	1
9	50017480	Ball Collar Kit 1-3/8"	1
10	76080	Spring	8
11	76159	Flanged Yoke	1
12	76195	Bushing	1
13	76194	Lining Ring	2
14	76064	Tapered Pin Set 1-3/8"	1
15	76161	Clutch Support	1
16	76196	Pressure Plate	1
17	44300	Capscrew M10 x 1.25 x 80	8
18	44298	Hex Nut M10 x 1.25	8
19	50053159	Half Female Shaft w/ Shield (50053125)	1
20	50053160	Half Male Shaft w/ Shield (50053125)	1
21	78786	Danger Decal, Outer Tube	1
22	78608	Danger Decal, Outer Shield	1

DRIVESHAFT for Models BH15 with SLIP CLUTCH

May substitute 50074076SP on BH15

REF. NO.	PART NO.	DESCRIPTION	QTY.
	50053126SP	Driveshaft Assy for BH15	1
1	76711	Complete Collar Yoke	1
2	64694	Cross Journal Set	2
3	76152	Complete Disc Clutch	1
4	50053143	Guard Retaining Collar, Outer	1
5	50050289	Bolt	6
6	50053144	Guard Retaining Collar, Inner	1
7	64814	Safety Chain	1
8	50053161	Complete Shield (50053126)	1
9	50017480	Ball Collar Kit 1-3/8"	1
10	76080	Spring	8
11	76159	Flanged Yoke	1
12	76195	Bushing	1
13	76194	Lining Ring	2
14	76064	Tapered Pin Set 1-3/8"	1
15	76161	Clutch Support	1
16	76196	Pressure Plate	1
17	44300	Capscrew M10 x 1.25 x 80	8
18	44298	Hex Nut M10 x 1.25	8
19	50053146	Half Female Shaft w/ Shield (50053126)	1
20	50053162	Half Male Shaft w/ Shield (50053126)	1
21	78786	Danger Decal, Outer Tube	1
22	78608	Danger Decal, Outer Shield	1

ALL MODELS BH17 DRIVELINE ASSEMBLY With SLIP CLUTCH 540 RPM

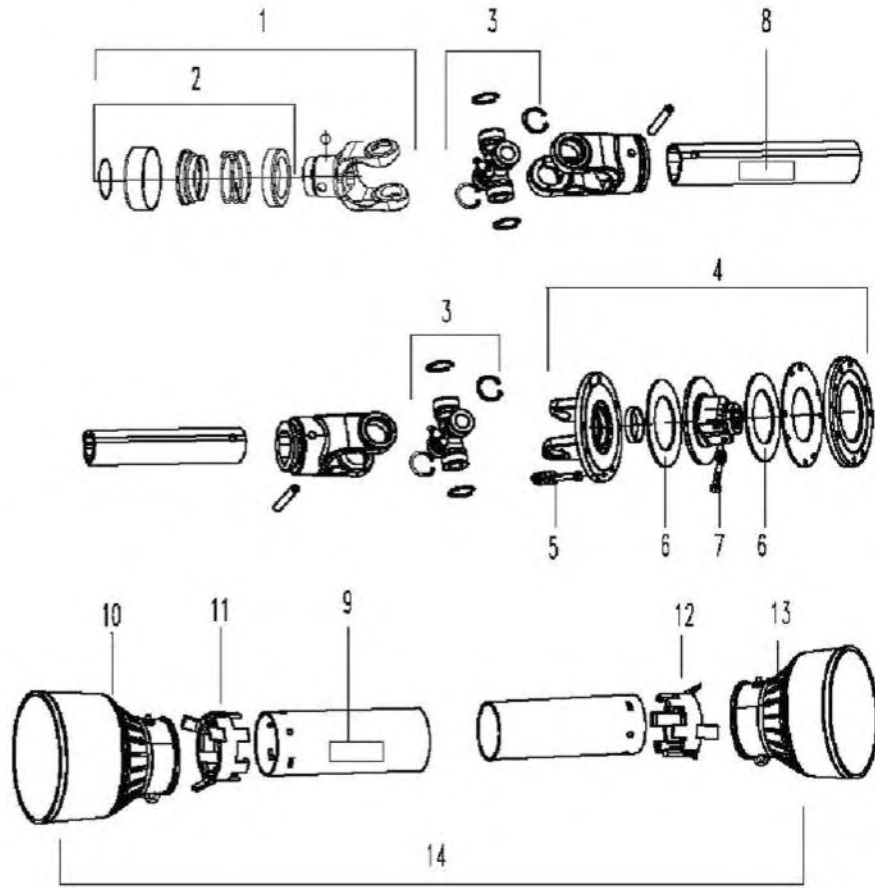


REF. NO.	PART NO.	DESCRIPTION	QTY.
	50053133SP	Driveline Assembly BH17	1
1	76801	Complete Collar Yoke	1
2	64610	Cross Journal Set	2
3	50050544	Complete Disc Clutch F29	1
4	50053169	Guard Retaining Collar, Outer	1
5	50050289	Bolt	6
6	50053240	Guard Retaining Collar, Inner	1
7	64814	Safety Chain	2
8	50053249	Complete Shield	1
9	50017480	Ball Collar Kit 1-3/8"	1
10	76080	Spring	8
11	76081	Flanged Yoke	1
12	76082	Bushing	1
13	76083	Lining Ring	2
14	76247	Tapered Pin Set 1-3/4"	1
15	76309	Clutch Support F29	1
16	76085	Inner Plate	1
17	76086	Pressure Plate	1
18	44155BH	Capscrew M10 x 1.5 x 85	8
19	44154BH	Lock Nut M10 x 1.5	8
20	50053250	Half Female Shaft w/ Shield	1
21	50053252	Half Male Shaft w/ Shield	1
22	78786	Danger Decal, Outer Tube	1
23	78608	Danger Decal, Outer Shield	1

MODELS BH15 & BH16

DRIVELINE ASSEMBLY With SLIP CLUTCH

540 RPM



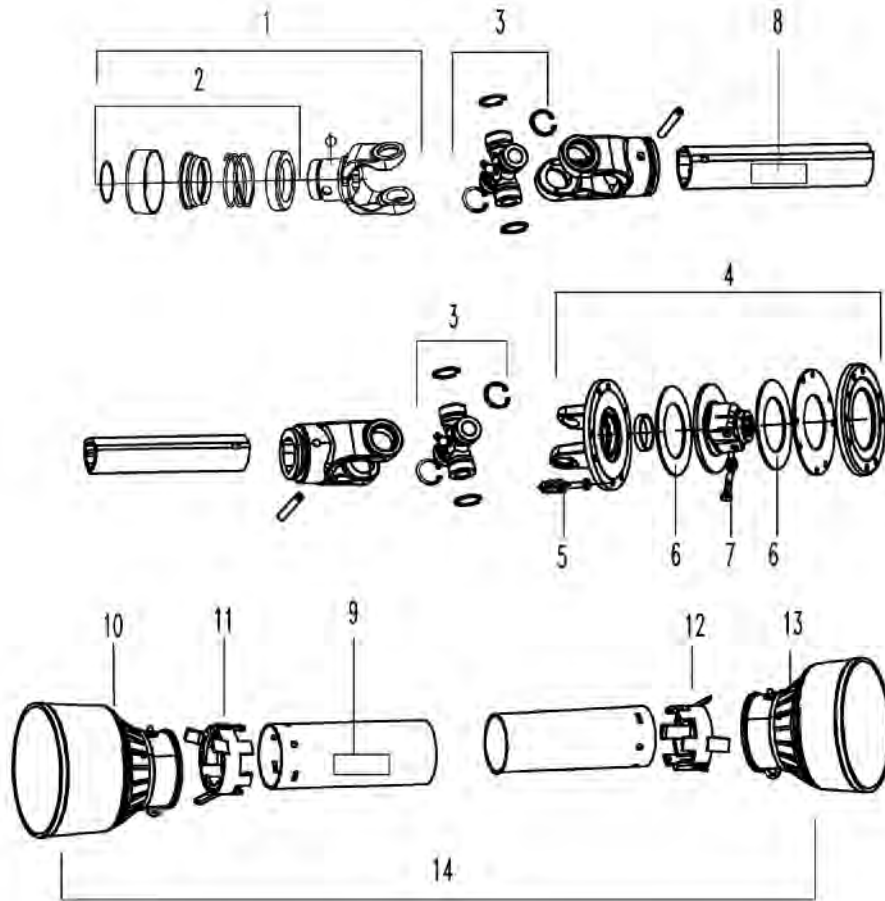
NOTE: The 50074076SP Driveshaft replaced the 50053125SP Driveshaft on the BH16 Models (50074076SP Listed below Replaced by 50076083SP on BH16 Models)

REF. NO.	PART NO.	DESCRIPTION	QTY.
	50074076SP	Driveshaft Assembly	1
1	50074280	Yoke With Collar	1
2	50074281	Collar Kit	1
3	50074282	Cross Kit	2
4	50074283	Friction Clutch	1
5	50074284	Spring And Bolt Kit	8
6	76194	Clutch Pad	1
7	50074285	Clamp Pin For Hub	2
8	78786	Safety Decal Inner	1
9	78608	Safety Decal Outer	1
10	N/A	Outer Shield Cone	1
11	50074286	Outer Shield Bearing	1
12	50074287	Inner Shield Bearing	1
13	N/A	Inner Shield Cone	1
14	50074288	Shield Complete	1

MODELS BH16

DRIVELINE ASSEMBLY With SLIP CLUTCH

540 RPM

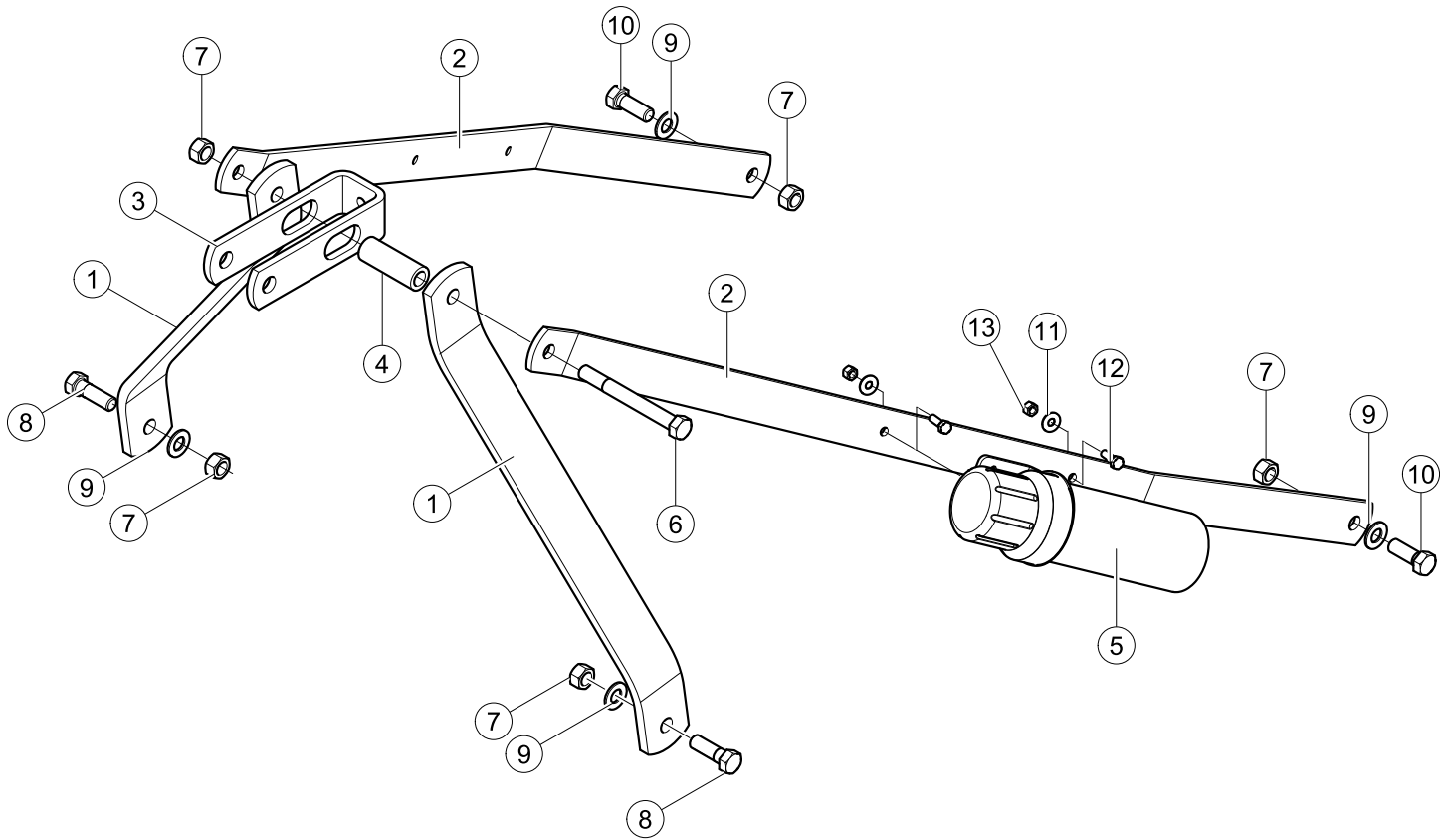


NOTE: 50076083SP Listed Below REPLACES Both the 50053125 and 50074076 Driveshafts on All Models BH16

THIS DRIVELINE IS 4 INCHES LONGER THAN THE PREVIOUSLY USED DRIVELINES

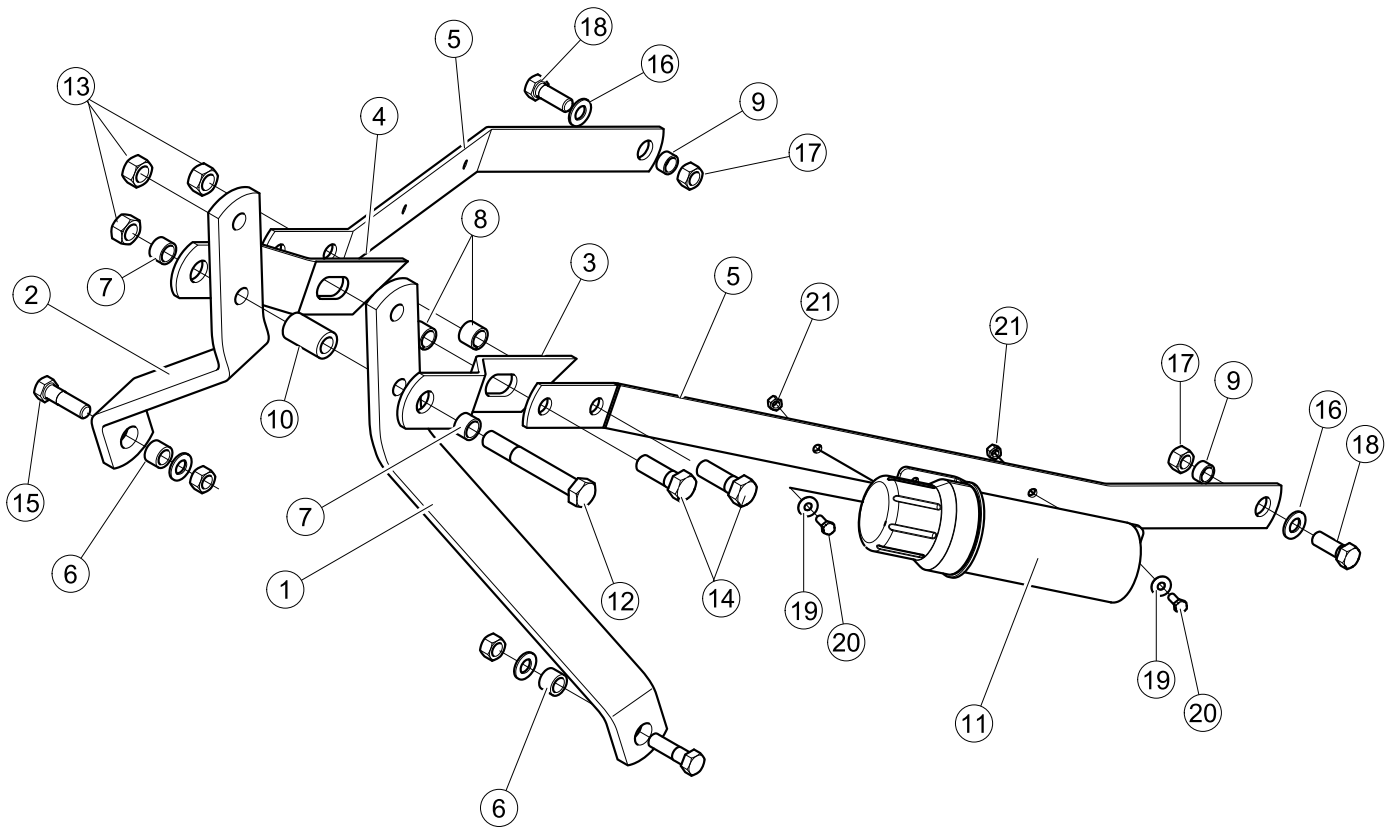
REF. NO.	PART NO.	DESCRIPTION	QTY.
	50076083SP	Driveshaft Assembly	1
1	50074280	Yoke With Collar	1
2	50074281	Collar Kit	1
3	50074282	Cross Kit	2
4	50074283	Friction Clutch	1
5	50074284	Spring And Bolt Kit	8
6	76194	Clutch Pad	1
7	50074285	Clamp Pin For Hub	2
8	78786	Safety Decal Inner	1
9	78608	Safety Decal Outer	1
10	N/A	Outer Shield Cone	1
11	50074286	Outer Shield Bearing	1
12	50074287	Inner Shield Bearing	1
13	N/A	Inner Shield Cone	1
14	50075571	Shield Complete	1

MODEL BH14-1R STANDARD HITCH ASSEMBLY



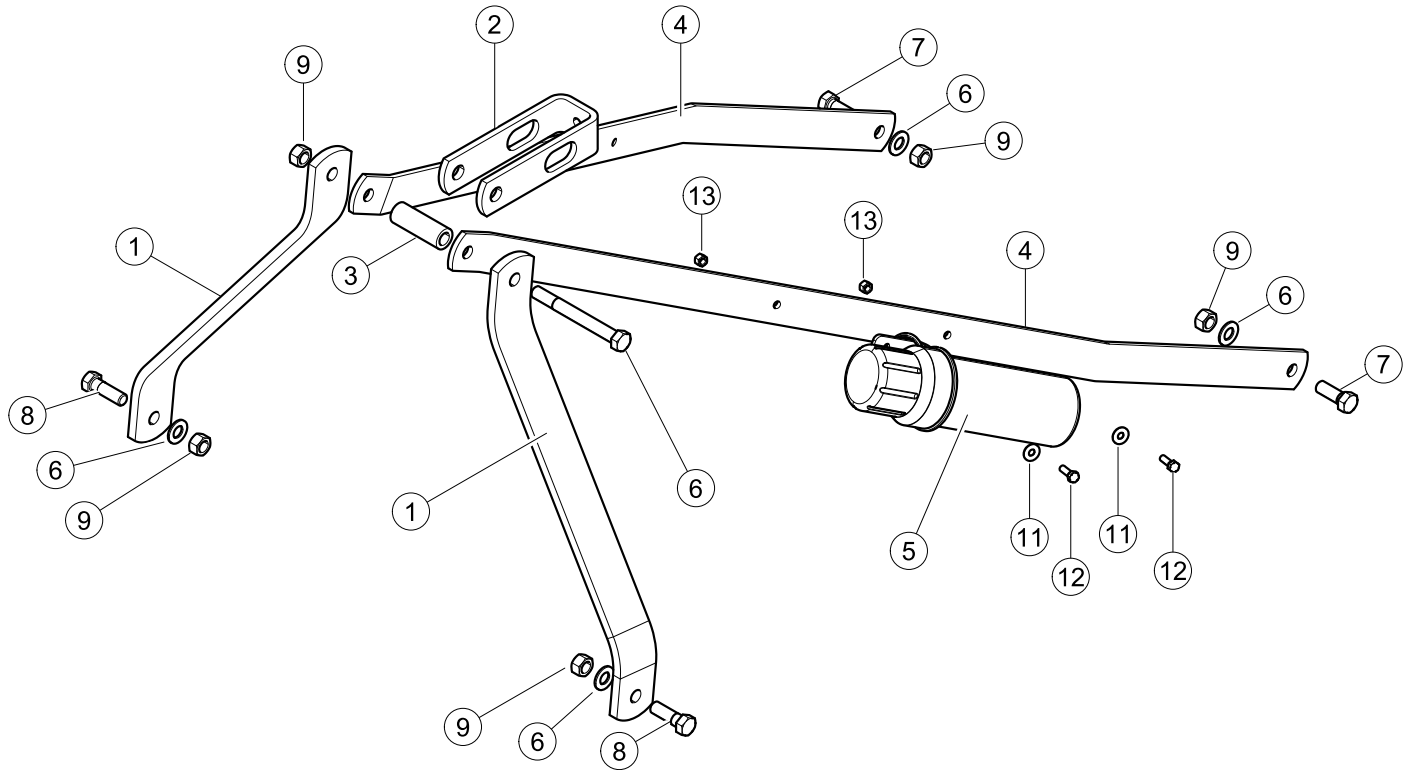
REF. NO.	PART NO.	DESCRIPTION	QTY.
1	50068579	Upper Strut, Cat I	2
2	50068559	Yoke	2
3	64114	Flex Link Cat I	1
4	64113	Pivot Tube	1
5	50035829	Tube, Owners Manual	1
6	19054	Capscrew 5/8" x 5-3/4" Gr.5	1
7	15598BH	Locknut 5/8"	5
8	20947	Capscrew 5/8" x 2" Gr.5	2
9	20748	Flatwasher 5/16"	4
10	15165BH	Capscrew 5/8" x 1-3/4" Gr.5	2
11	15907BH	Flatwasher 5/16"	2
12	1161010	Capscrew 5/16" x 1"	2
13	15602BH	Locknut 5/16"	2

MODEL BH14-1R QUICK HITCH ASSEMBLY



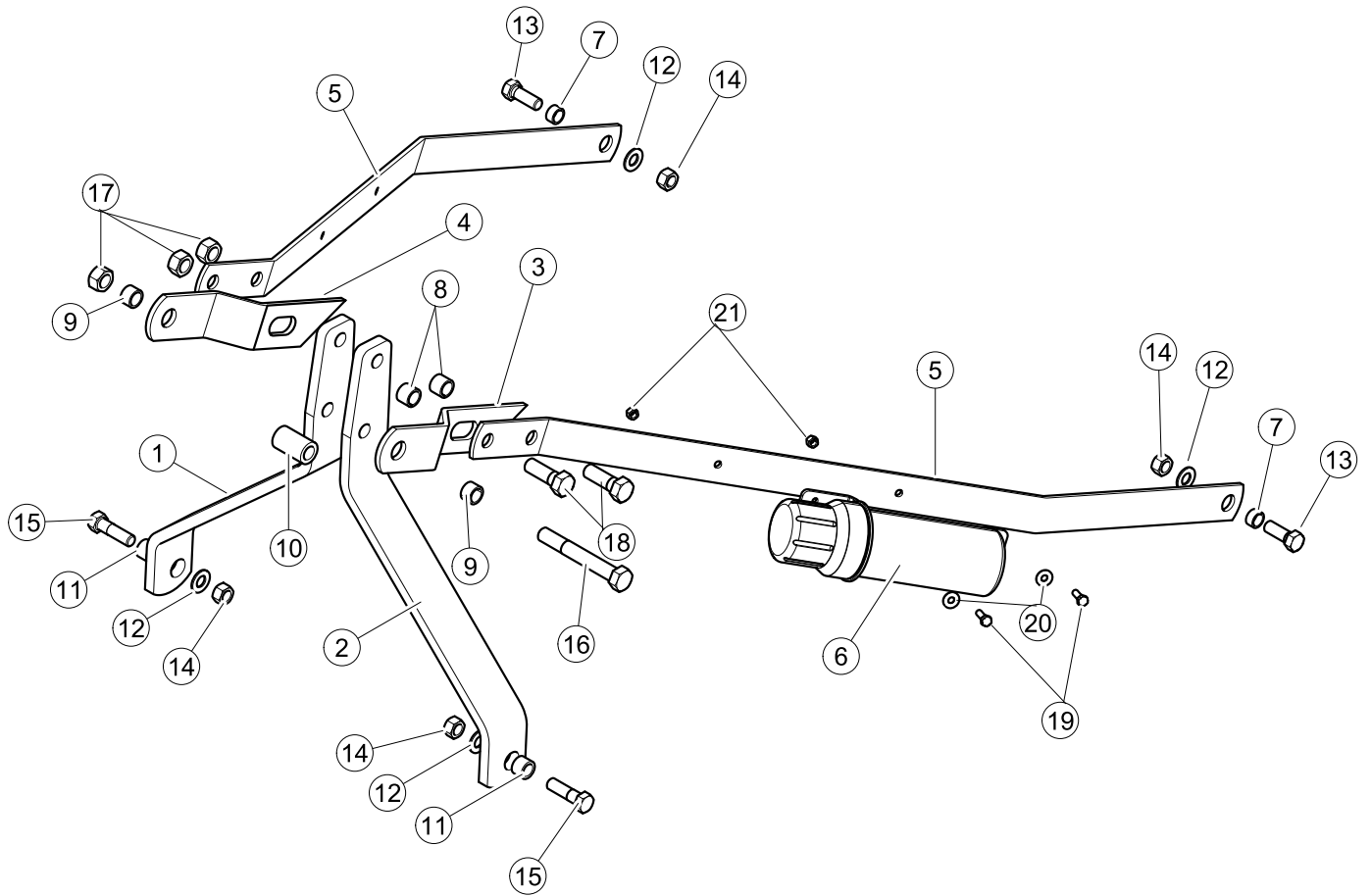
REF. NO.	PART NO.	DESCRIPTION	QTY.
1	50055055	Mast Half, LH	1
2	50055056	Mast Half, RH	1
3	50070057	Pivot Arm, LH	1
4	50070059	Pivot Arm, RH	1
5	50055505	Yoke 48"	2
6	50050555	Bushing, Strut	2
7	50050392	Bushing, Spacer	2
8	50050393	Bushing, Wear	2
9	50050395	Bushing, Yoke	2
10	50033665	Cat I Quick Hitch Top Bushing	1
11	50035829	Tube, Owners Manual	1
12	19037	Capscrew 3/4" x 5-1/2" Gr.5	1
13	20638	Locknut 3/4"	3
14	20510	Capscrew 3/4" x 2-1/4" Gr.5	2
15	19053	Capscrew 5/8" x 2-1/4"	2
16	20748	Flatwasher 5/8" SAE	4
17	15598BH	Locknut 5/8"	4
18	15165BH	Capscrew 5/8" x 1-3/4" Gr.5	2
19	15907BH	Flatwasher 5/16"	2
20	1161010	Capscrew 5/16" x 1 Gr.5	2
21	15602BH	Locknut 5/16"	2

ALL MODELS BH15 & BH16 STANDARD HITCH ASSEMBLY



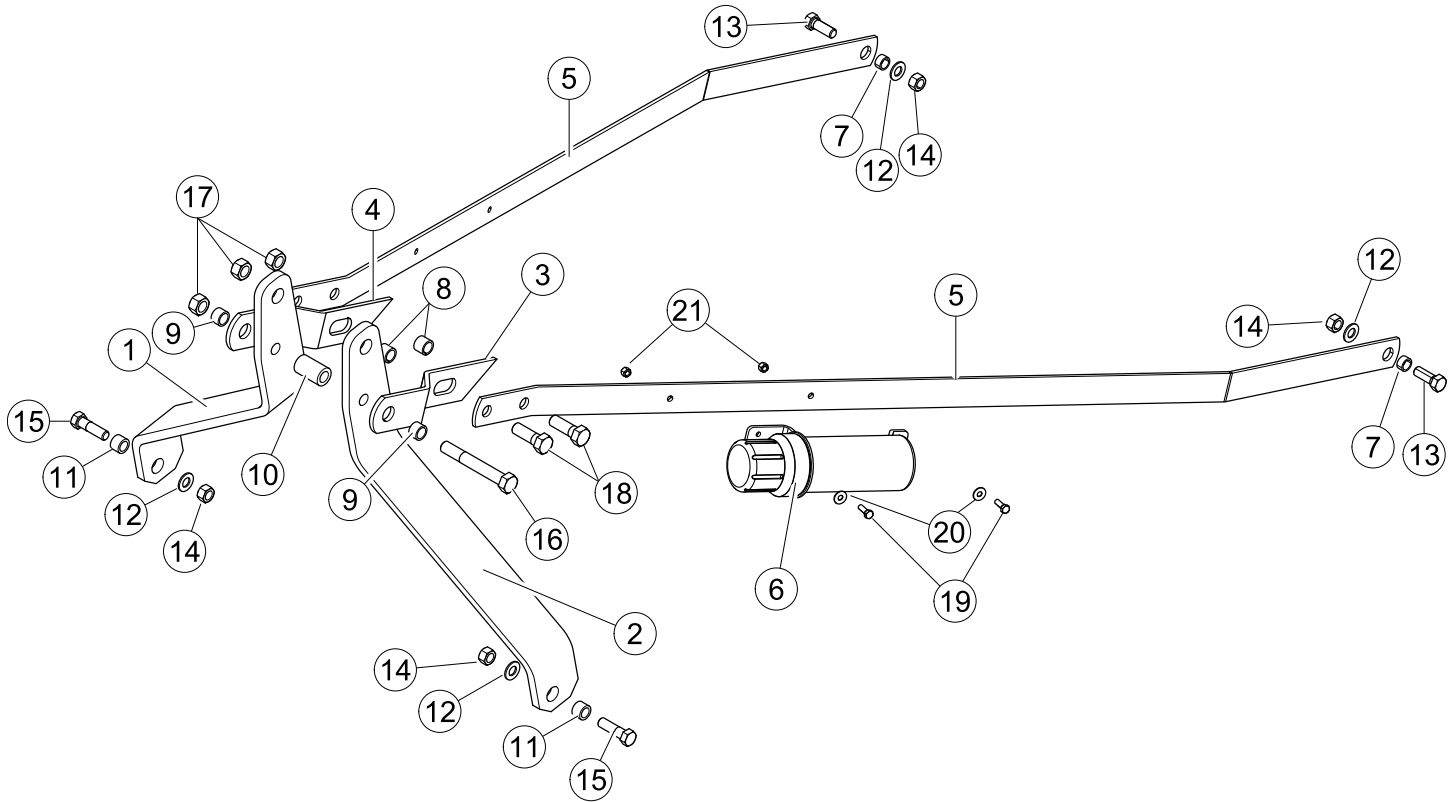
REF. NO.	PART NO.	DESCRIPTION	QTY.
1	50068579	Upper Strut, Cat I	2
2	64114	Flex Link Cat I	1
3	64113	Pivot Tube	1
4	50071069	Yoke (BH15) 5' Standard Hitch	2
	50070868	Yoke (BH16) 6' Standard Hitch	2
5	50035829	Tube, Owners Manual	1
6	20748	Flatwasher 5/16"	4
7	15165BH	Capscrew 5/8" x 1-3/4" Gr.5	2
8	20947	Capscrew 5/8" x 2" Gr.5	2
9	15598BH	Locknut 5/8"	5
10	19054	Capscrew 5/8" x 5-3/4" Gr.5	1
11	15907BH	Flatwasher 5/16"	2
12	1161010	Capscrew 5/16" x 1 Gr.5	2
13	15602BH	Locknut 5/16"	2

ALL MODELS BH15 & BH16 QUICK HITCH ASSEMBLY



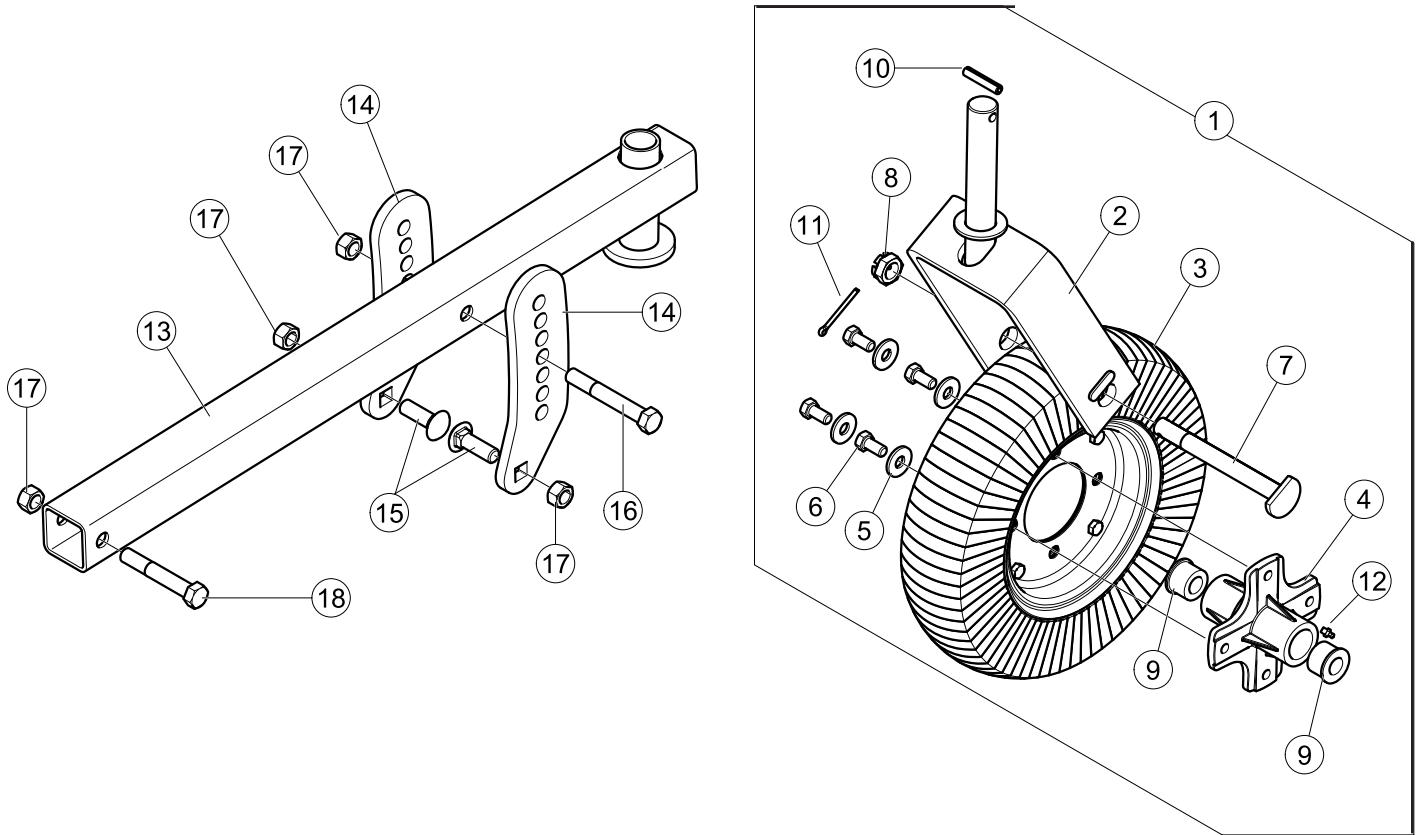
REF. NO.	PART NO.	DESCRIPTION	QTY.
1	50070862	Mast Half, RH	1
2	50070864	Mast Half, LH	1
3	50070057	Pivot Arm, LH	1
4	50070059	Pivot Arm, RH	1
5	50074793	Yoke (BH15) 5'	2
	50070865	Yoke (BH16) 6'	2
6	50035829	Owners Manual Tube	1
7	50050395	Bushing, Yoke	2
8	50050393	Bushing, Wear	2
9	50050392	Bushing, Spacer	2
10	50033665	Bushing, Top	2
11	50050555	Bushing, Strut Weld.	2
12	20748	Flatwasher 5/8" SAE	4
13	15165BH	Capscrew 5/8" x 1-3/4" Gr.5	2
14	15598BH	Locknut 5/8"	4
15	19053	Capscrew 5/8" x 2-1/4" Gr.5	2
16	19037	Capscrew 3/4" x 5-1/2" Gr.5	1
17	20638	Locknut 3/4"	3
18	20510	Capscrew 3/4" x 2-1/4" Gr.5	2
19	15907BH	Flatwasher 5/16"	2
20	1161010	Capscrew 5/16" x 1 Gr.5	2
21	15602BH	Locknut 5/16"	2

ALL MODELS BH17 QUICK HITCH ASSEMBLY



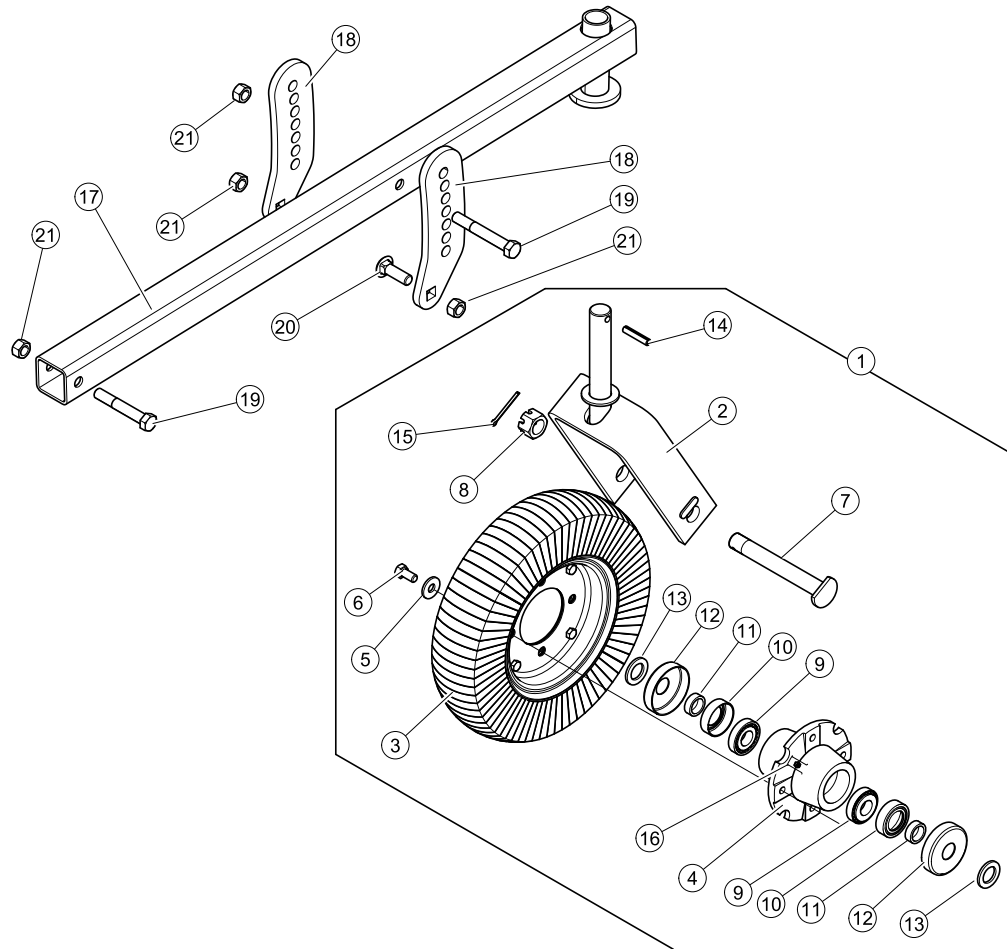
REF. NO.	PART NO.	DESCRIPTION	QTY.
1	50074852	Mast Half, RH	1
2	50074850	Mast Half, LH	1
3	50070057	Pivot Arm, LH	1
4	50070059	Pivot Arm, RH	1
5	50074853	Yoke (BH17)	6
6	50035829	Owners Manual Tube	1
7	50050395	Bushing, Yoke	2
8	50050393	Bushing, Wear	2
9	50050392	Bushing, Spacer	2
10	50033665	Bushing, Top	2
11	50050555	Bushing, Strut Weld.	2
12	20748	Flatwasher 5/8" SAE	4
13	15165BH	Capscrew 5/8" x 1-3/4" Gr.5	2
14	15598BH	Locknut 5/8"	4
15	19053	Capscrew 5/8" x 2-1/4" Gr.5	2
16	19037	Capscrew 3/4" x 5-1/2" Gr.5	1
17	20638	Locknut 3/4"	3
18	20510	Capscrew 3/4" x 2-1/4" Gr.5	2
19	1161010	Capscrew 5/16" x 1 Gr.5	2
20	15907BH	Flatwasher 5/16"	6
21	15602BH	Locknut 5/16"	2

ALL MODELS BH14 TAILWHEEL and RELATED PARTS



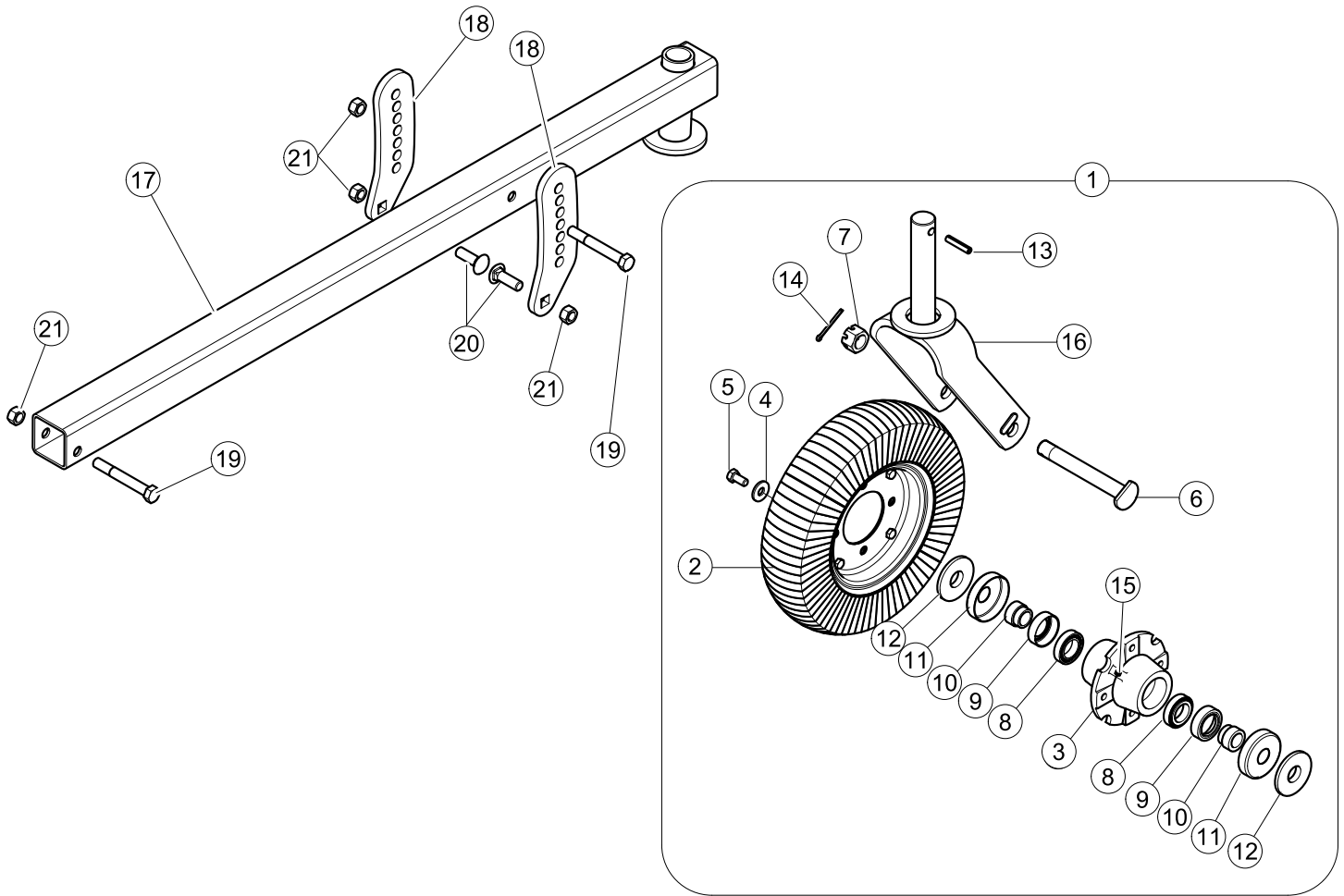
REF. NO.	PART NO.	DESCRIPTION	QTY.
1	50067489SP	Tailwheel Assy.	1
2	50067492	Caster Fork Weld.	1
3	500BH	Solid Tire Assy.	1
4	50067490	Hub Casting	1
5	44269	Flatwasher M12	4
6	44204	Capscrew M12 x 1.75 x 25 Gr8.8	4
7	50067488	Axle Bolt	1
8	50067496	Slotted Nut M24 x 2	1
9	50067491	Bushing	2
10	50067495	Roll Pin M10 x 50	1
11	20167	Cotter Pin 3/16" x 2'	1
12	50012411	Grease Fitting	1
13	50071025	TAILWHEEL Tube Assy.	1
14	50070051	Adjusting BRacket	2
15	44226BH	Carriage Bolt 5/8" x 2" Gr.5	2
16	20508	Capscrew 5/8" x 4-1/2" Gr.5	1
17	15598BH	Locknut 5/8"	4
18	20237BH	Capscrew 5/8" x 4" Gr.5	1

ALL MODELS BH15 & BH16 TAILWHEEL and RELATED PARTS



REF. NO.	PART NO.	DESCRIPTION	QTY.
1	50068496SP	Tailwheel Assy.	1
2	50067492	Caster Fork Weld.	1
3	500BH	Solid Tire Assy.	1
4	50068522	Hub Casting	1
5	44269	Flatwasher M12	4
6	44204BH	Capscrew M12 x 1.75 x 25 Gr8.8	4
7	50067488	Axle Bolt	1
8	50067496	Slotted Nut M24 x 2	1
9	50068521	Bearing Assy.	2
10	50068525	Seal	2
11	50068523	Bushing	2
12	50068520	Protective Cap	1
13	50068524	Washer	2
14	50067495	Adjusting Bracket	2
15	20167	Cotter Pin 3/16" x 2"	1
16	449BH	Grease Fitting	1
17	50072506	Tailwheel Tube Weld. for BH15	1
	50072520	Tailwheel Tube Weld. for BH16	1
18	50070051	Adjusting Bracket	2
19	44625	Capscrew 5/8" x 4-3/4" Gr.5	2
20	44226BH	Carriage Bolt 5/8" x 2"	2
21	15598BH	Locknut 5/8"	2

ALL MODELS BH17 TAILWHEEL and RELATED PARTS



REF. NO.	PART NO.	DESCRIPTION	QTY.
1	50069838	Tailwheel Assy.	1
2	500BH	Solid Tire Assy.	1
3	50068522	Hub Casting	1
4	44269	Flatwasher M12	4
5	44204BH	Capscrew M12 x 1.75 x 25 Gr8.8	4
6	50067488	Axle Bolt	1
7	50067496	Slotted Nut M24 x 2	1
8	50068521	Bearing Assy.	2
9	50068525	Seal	2
10	50068523	Bushing	2
11	50068520	Cap, Protective	2
12	50068524	Washer	2
13	44824BH	Roll Pin 1/2" x 2-1/2"	1
14	20167	Cotter Pin 3/16" x 2"	1
15	449BH	Grease Fitting	1
16	50069839	Fork Assy.	1
17	50070094	Tailwheel Tube Weld. for BH17	1
18	50070051	Adjusting Bracket	2
19	44625	Capscrew 5/8" x 4-3/4" Gr.5	2
20	44226BH	Carriage Bolt 5/8" x 2"	2
21	15598BH	Locknut 5/8"	2



BUSH HOG[®]

2501 GRIFFIN AVE. • SELMA, AL 36703

(334) 872-6261 • (334) 874-2700

PARTS ORDERING 1-800-304-2836

FAX 1-800-572-1784

WWW.BUSHHOG.COM