

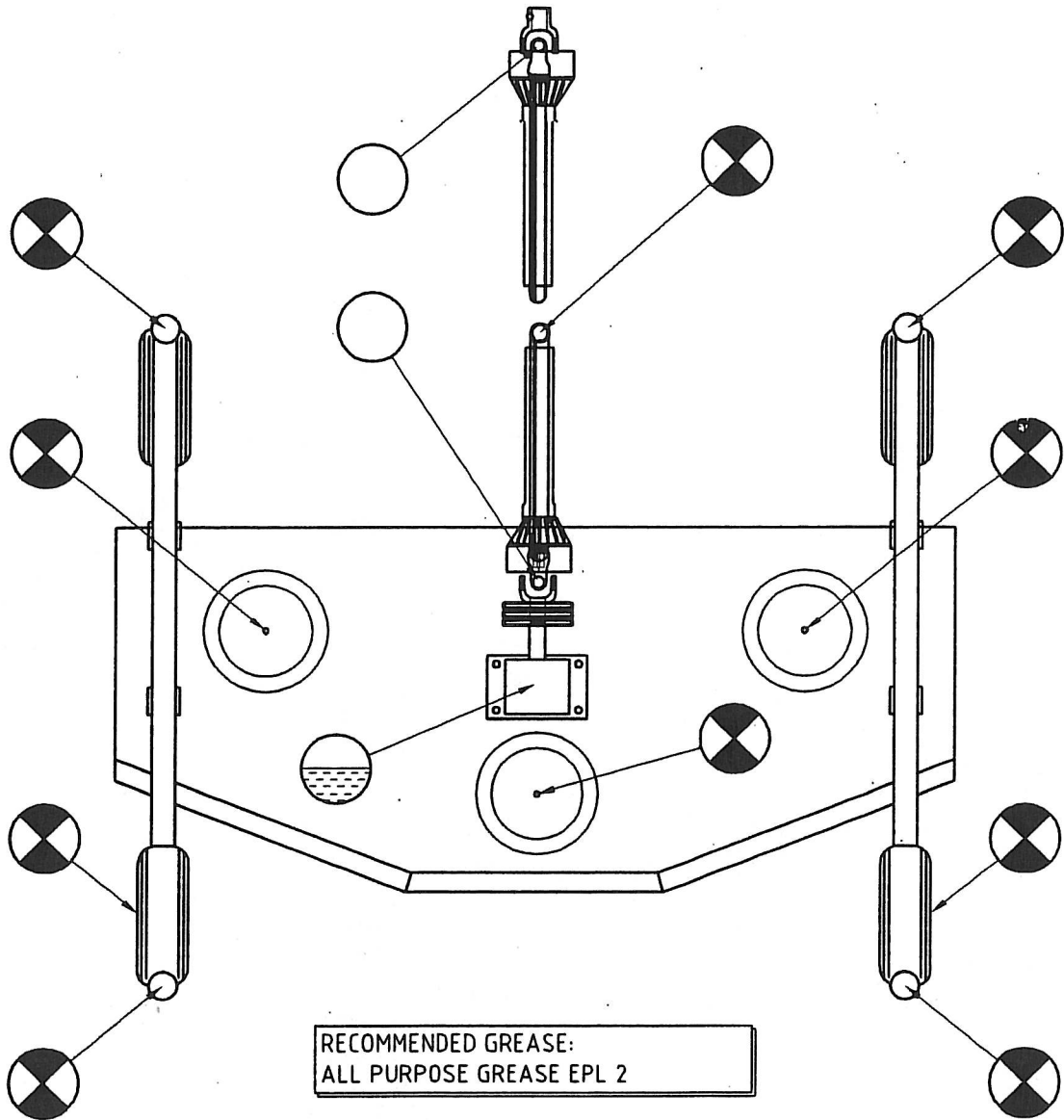
**INSTRUCTION MANUAL AND PARTS LIST
FOR
MODEL FSM180 RH CHUTE
FRONT MOUNT MOWER
*TO SUIT SHIBAURA CM354***



INDEX
FSM150-FSM180 REAR DISCHARGE
SUIT JOHN DEERE

	PAGE
• CORPORATE PHILOSOPHY	1
• OPERATIONAL SAFETY INSTRUCTIONS	2
• HAZARDS & SAFETY GUIDE	3 - 4
• OPERATING, CARE & MAINTENANCE	5
• MAINTENANCE SCHEDULE- REAR DISCHARGE	6
• MAINTENANCE SCHEDULE- RIGHT HAND DISCHARGE	7
• MAINTENANCE SCHEDULE- LEFT HAND DISCHARGE	8
• MAIN BODY FABRICATION & ASSEMBLY – REAR DISCHARGE	9
• MAIN BODY FABRICATION & ASSEMBLY – RH DISCHARGE	10
• MAIN BODY FABRICATION & ASSEMBLY – LH DISCHARGE	11
• LINKAGE ARMS AND CONNECTING RODS	12
• WHEEL ASSEMBLY- CARLISLE MAKE	13
• WHEEL ASSEMBLY- PNEUMATIC	14
• GEARBOX ASSEMBLY	15
• CARTRIDGE ASSEMBLY	16
• BLADE ASSEMBLIES	17-20
• “V” BELTS AND PULLEY	21
• IDLER TENSIONER PULLEY	22
• DRIVESHAFT ASSEMBLY	23
• OWNER’S NOTE	24

SUPERIOR ROTARY MOWER MAINTENANCE SCHEDULE TO SUIT MODELS: FSM150, FSM180



RECOMMENDED GREASE:
ALL PURPOSE GREASE EPL 2

GEARBOX:- USE 85W - 140 EP GEAR OIL
Change Every 6 Months

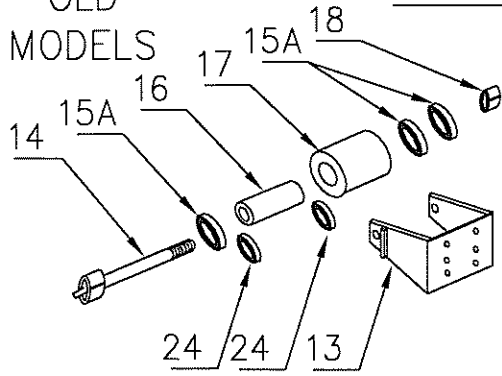
 OIL
DAILY

 GREASE
TWICE DAILY

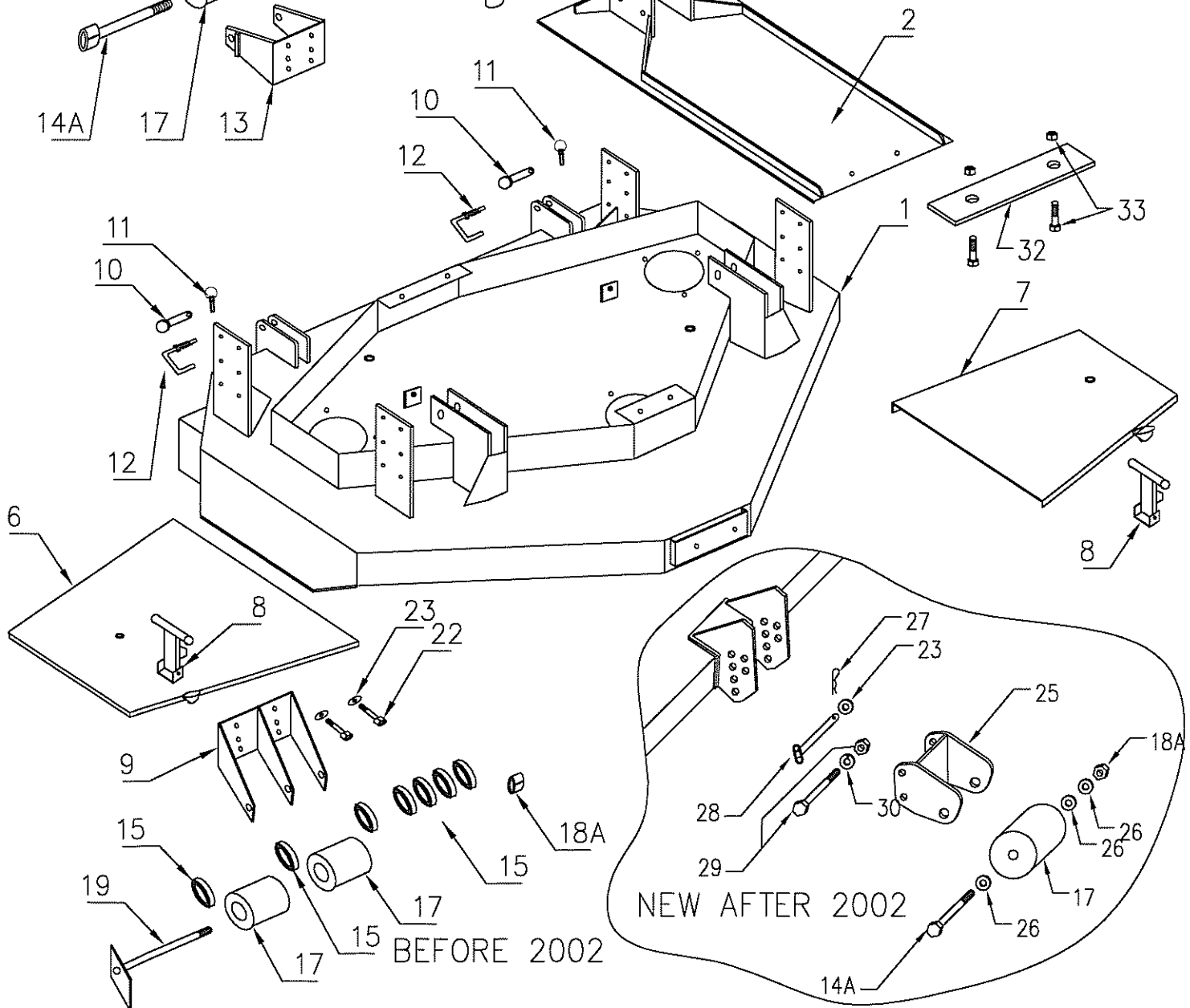
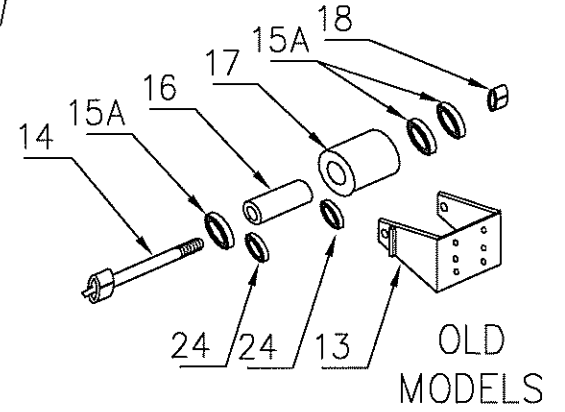
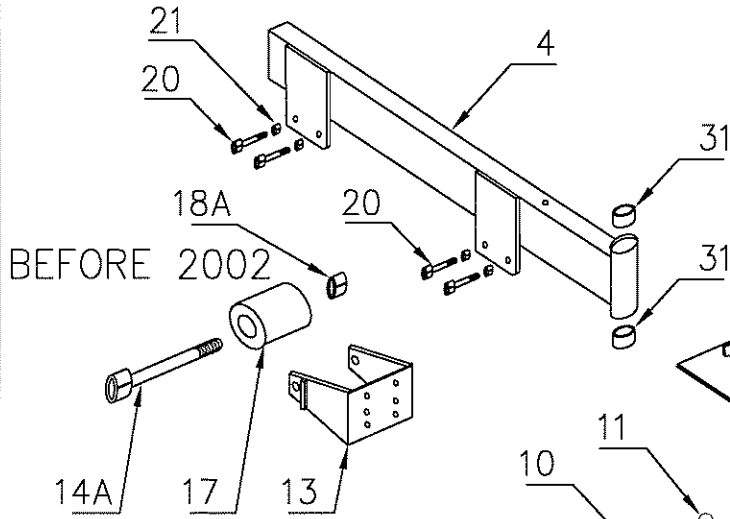
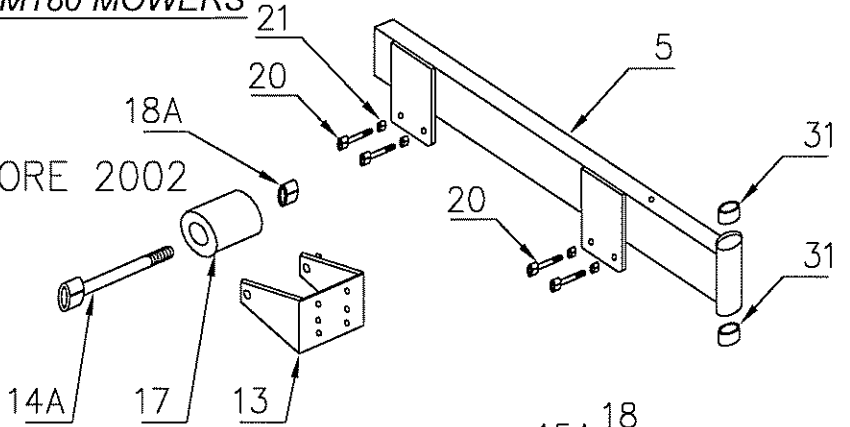
 GREASE
DAILY

FSM150 / FSM180 MOWERS

OLD MODELS



BEFORE 2002



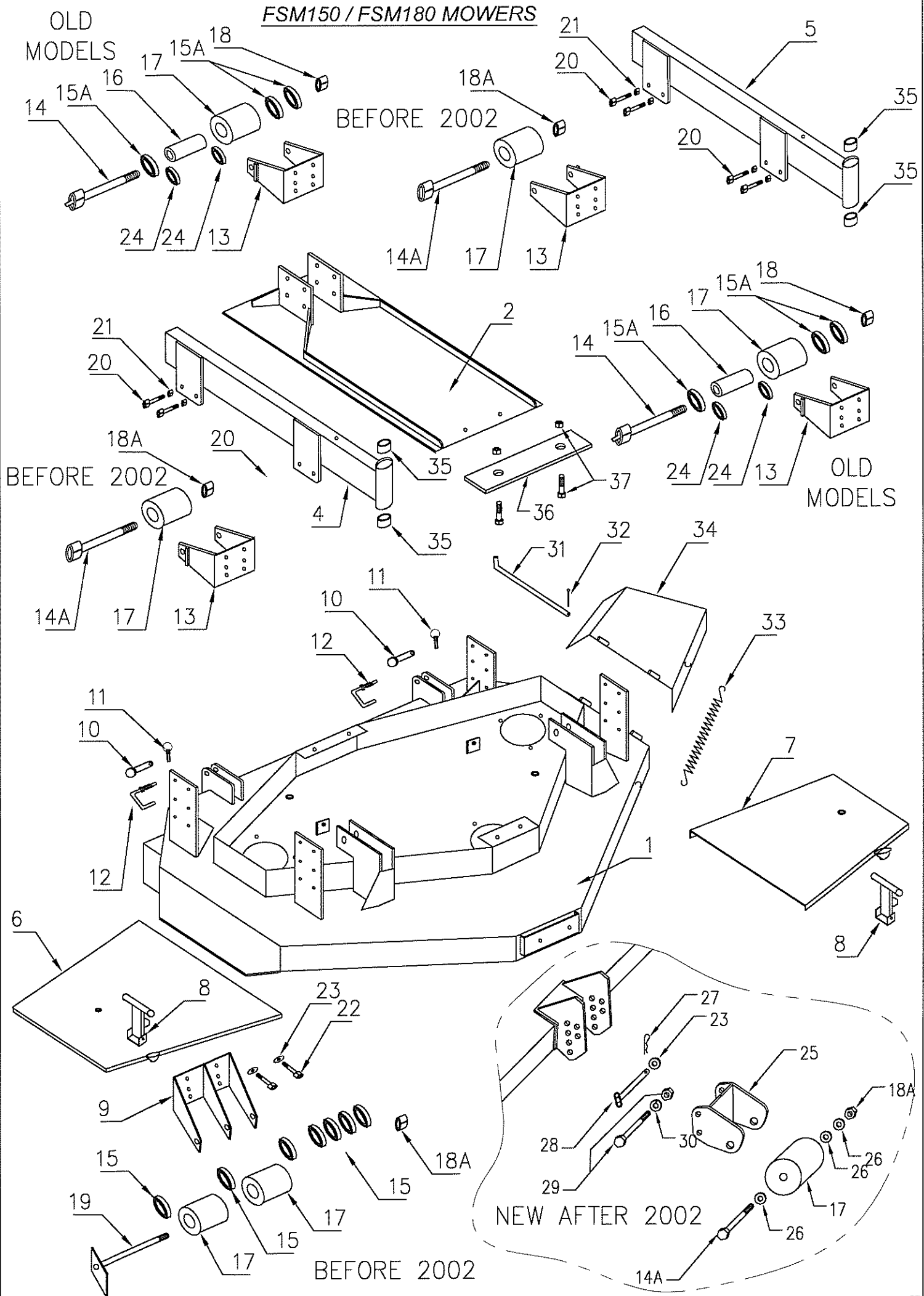
NEW AFTER 2002

BEFORE 2002

MAIN BODY - FSM 150 R			
ITEM	PART No.	DESCRIPTION	No.OFF
1	S05367	MAIN BODY FSM 150 R (KUBOTA)	1
2	S05368	GEARBOX MOUNTING PLATE (KUBOTA)	1
4	S05395	CASTOR WHEEL BEAM R.H	1
4	S05395-1	CASTOR WHEEL BEAM R.H - SPECIAL TO SUIT BRONZE BUSH BRG (ITEM 31)	1
5	S05391	CASTOR WHEEL BEAM L.H	1
5	S05391-1	CASTOR WHEEL BEAM L.H - SPECIAL TO SUIT BRONZE BUSH BRG (ITEM 31)	1
6	S05370	BELT COVER RH.	1
7	S05371	BELT COVER LH.	1
8	S03906	BELT COVER BONNET CLAMPS	6
9	S05335	FRONT SCALPING ROLLER BRACKET	1
10	S04009	PIN 3/4 LINKAGE - ISEKI ONLY	2
11	S04011	LYNCH PIN - ISEKI ONLY	2
12	S05373	PIN SPRING LOADED ADJ.LINK (NOT ISEKI)	2
13	S05397	REAR SCALPING ROLLER BRACKET	2
14	S05390	AXLE SUIT REAR SCALPING ROLLER (GREASABLE) - OLD MODELS	4
14A	S03560	AXLE SUIT REAR SCALPING ROLLER - NEW MODELS	4
15	S02230	SPACER WASHER	2
15A	S04245	SPACER WASHER	2
16	S05398	SPACER TUBE (BETWEEN BEARINGS) - OLD MODELS	1
17	S05394	SCALPING ROLLERS (NYLON)	4
18	S05392	NUT NYLOC 20mm - OLD MODELS	4
18A	S05067	NUT NYLOC - NEW MODELS	4
19	S01301	AXLE SUIT FRONT SCALPING ROLLER	1
20	S03340	BOLT	4
21	S01003	NUT	4
22	S03478	BOLT	2
23	S04242	SPRING WASHER	2
24	S05336	BEARINGS - OLD MODELS	2
25	S05209	ROLLER BRACKET - AFTER 2002 NEW STYLE	3
26	S04226	WASHER	9
27	S01147	R CLIP	3
28	S05209-3	ADJUSTING PIN	3
29	S03217	BOLT, NUT	3
30	S04243	SPRING WASHER	3
31	S06803	BRONZE BUSH BRG - TO SUIT SPECIAL CASTOR BEAM	4
32	S06802	SPACER PLATE SUIT FSM GEARBOX PLATE (ADVISE THICKNESS)	1
33	S01632	3/8"UNFX 1 1/4 BOLT AND NYLOC NUT	2 SET

MAIN BODY - FSM 180 R			
ITEM	PART No.	DESCRIPTION	No.OFF
1	S05411	MAIN BODY FSM 180 R (NEW STYLE) FORD / SHIBAURA	1
1	S05412	MAIN BODY FSM 180 (NEW STYLE) JOHN DEERE	1
1	S05413	MAIN BODY FSM 180 (NEW STYLE) ISEKI	1
1	S05414	MAIN BODY FSM 180 (NEW STYLE) KUBOTA	1
2	S05415	GEARBOX MOUNTING PLATE (NEW STYLE) SUITS ALL MODELS - EXCEPT J.B.	1
2	S05415-1	GEARBOX MOUNTING PLATE (NEW STYLE) SUITS J.B. - OFFSET	1
4	S05395	CASTOR WHEEL BEAM R.H (NEW STYLE)	1
4	S05395-1	CASTOR WHEEL BEAM R.H - SPECIAL TO SUIT BRONZE BUSH BRG (ITEM 31)	1
5	S05396	CASTOR WHEEL BEAM L.H (NEW STYLE)	1
5	S05391-1	CASTOR WHEEL BEAM L.H - SPECIAL TO SUIT BRONZE BUSH BRG (ITEM 31)	1
6	S05333	BELT COVER RH.	1
7	S05334	BELT COVER LH.	1
8	S03906	BELT COVER BONNET CLAMPS	6
9	S05335	FRONT SCALPING ROLLER BRACKET	1
10	S04009	PIN 3/4 LINKAGE - ISEKI ONLY	2
11	S04011	LYNCH PIN - ISEKI ONLY	2
12	S05373	PIN SPRING LOADED ADJ.LINK (NOT ISEKI)	2
13	S05397	REAR SCALPING ROLLER BRACKET	2
14	S05390	AXLE SUIT REAR SCALPING ROLLER (GREASABLE) - OLD MODELS	2
14A	S03560	AXLE SUIT REAR SCALPING ROLLER - NEW MODELS	3
15	S02230	SPACER WASHER	2
15A	S04245	SPACER WASHER	2
16	S05398	SPACER TUBE (BETWEEN BEARINGS) - OLD MODELS	1
17	S05394	SCALPING ROLLERS (NYLON)	1
18	S05392	NUT NYLOC 20mm - OLD MODELS	2
18A	S05067	NUT NYLOC - NEW MODELS	3
19	S01301	AXLE SUIT FRONT SCALPING ROLLER	1
20	S03340	BOLT	4
21	S01003	NUT	4
22	S03478	BOLT	2
23	S04242	SPRING WASHER	2
24	S05336	BEARINGS - OLD MODELS	2
25	S05209	ROLLER BRACKET - AFTER 2002 NEW STYLE	3
26	S04226	WASHER	9
27	S01147	R CLIP	3
28	S05209-3	ADJUSTING PIN	3
29	S03217	BOLT, NUT	3
30	S04243	SPRING WASHER	3
31	S06803	BRONZE BUSH BRG - TO SUIT SPECIAL CASTOR BEAM	4
32	S06802	SPACER PLATE SUIT FSM GEARBOX PLATE (ADVISE THICKNESS)	1
33	S01632	3/8"UNFX 1 1/4 BOLT AND NYLOC NUT	2 SET

FSM150 / FSM180 MOWERS

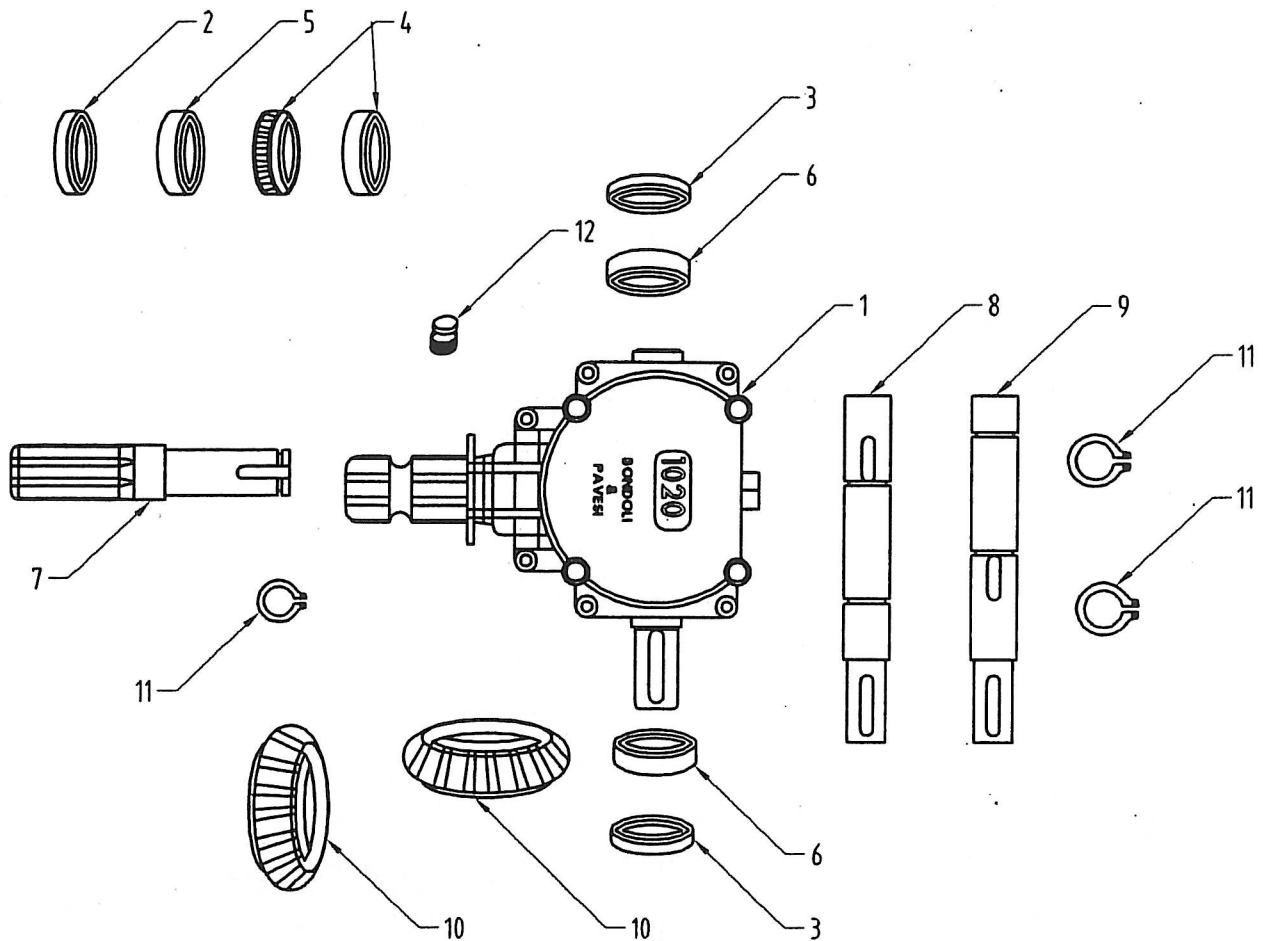


MAIN BODY - FSM 150 S - SIDE DISCHARGE

ITEM	PART No.	DESCRIPTION	No.OFF
1	S05367	MAIN BODY FSM 150 R (KUBOTA)	1
2	S05368	GEARBOX MOUNTING PLATE (KUBOTA)	1
4	S05395	CASTOR WHEEL BEAM R.H	1
4	S05395-1	CASTOR WHEEL BEAM R.H - SPECIAL TO SUIT BRONZE BUSH BRG (ITEM 35)	1
5	S05391	CASTOR WHEEL BEAM L.H	1
5	S05391-1	CASTOR WHEEL BEAM L.H - SPECIAL TO SUIT BRONZE BUSH BRG (ITEM 35)	1
6	S05370	BELT COVER RH.	1
7	S05371	BELT COVER LH.	1
8	S03906	BELT COVER BONNET CLAMPS	6
9	S05335	FRONT SCALPING ROLLER BRACKET	1
10	S04009	PIN 3/4 LINKAGE - ISEKI ONLY	2
11	S04011	LYNCH PIN - ISEKI ONLY	2
12	S05373	PIN SPRING LOADED ADJ.LINK (NOT ISEKI)	2
13	S05397	REAR SCALPING ROLLER BRACKET	2
14	S05390	AXLE SUIT REAR SCALPING ROLLER (GREASABLE) - OLD MODELS	4
14A	S03560	AXLE SUIT REAR SCALPING ROLLER - NEW MODELS	4
15	S02230	SPACER WASHER	2
15A	S04245	SPACER WASHER	2
16	S05398	SPACER TUBE (BETWEEN BEARINGS) - OLD MODELS	1
17	S05394	SCALPING ROLLERS (NYLON)	4
18	S05392	NUT NYLOC 20mm - OLD MODELS	4
18A	S05067	NUT NYLOC - NEW MODELS	4
19	S01301	AXLE SUIT FRONT SCALPING ROLLER	1
20	S03340	BOLT	4
21	S01003	NUT	4
22	S03478	BOLT	2
23	S04242	SPRING WASHER	2
24	S05336	BEARINGS - OLD MODELS	2
25	S05209	ROLLER BRACKET - AFTER 2002 NEW STYLE	3
26	S04226	WASHER	9
27	S01147	R CLIP	3
28	S05209-3	ADJUSTING PIN	3
29	S03217	BOLT, NUT	3
30	S04243	SPRING WASHER	3
31	S005728	PIN TO SUIT SIDE CHUTE	1
32	S002219	SPLIT PIN	1
33	S005729	SPRING	1
34	S05730/S05731	CHUTE LH - CHUTE RH	1
35	S06803	BRONZE BUSH BRG - TO SUIT SPECIAL CASTOR BEAM	4
36	S06802	SPACER PLATE SUIT FSM GEARBOX PLATE (ADVISE THICKNESS)	1
37	S01632	3/8"UNFX 1 1/4 BOLT AND NYLOC NUT	2 SET

MAIN BODY - FSM 180 S - SIDE DISCHARGE

ITEM	PART No.	DESCRIPTION	No.OFF
1	S05411	MAIN BODY FSM 180 R (NEW STYLE) FORD / SHIBAURA	1
1	S05412	MAIN BODY FSM 180 (NEW STYLE) JOHN DEERE	1
1	S05413	MAIN BODY FSM 180 (NEW STYLE) ISEKI	1
1	S05414	MAIN BODY FSM 180 (NEW STYLE) KUBOTA	1
2	S05415	GEARBOX MOUNTING PLATE (NEW STYLE) SUITS ALL MODELS - EXCEPT J.B.	1
2	S05415-1	GEARBOX MOUNTING PLATE (NEW STYLE) SUITS J.B. - OFFSET	1
4	S05395	CASTOR WHEEL BEAM R.H (NEW STYLE)	1
4	S05395-1	CASTOR WHEEL BEAM R.H - SPECIAL TO SUIT BRONZE BUSH BRG (ITEM 35)	1
5	S05396	CASTOR WHEEL BEAM L.H (NEW STYLE)	1
5	S05391-1	CASTOR WHEEL BEAM L.H - SPECIAL TO SUIT BRONZE BUSH BRG (ITEM 35)	1
6	S05333	BELT COVER RH.	1
7	S05334	BELT COVER LH.	1
8	S03906	BELT COVER BONNET CLAMPS	6
9	S05335	FRONT SCALPING ROLLER BRACKET	1
10	S04009	PIN 3/4 LINKAGE - ISEKI ONLY	2
11	S04011	LYNCH PIN - ISEKI ONLY	2
12	S05373	PIN SPRING LOADED ADJ.LINK (NOT ISEKI)	2
13	S05397	REAR SCALPING ROLLER BRACKET	2
14	S05390	AXLE SUIT REAR SCALPING ROLLER (GREASABLE) - OLD MODELS	2
14A	S03560	AXLE SUIT REAR SCALPING ROLLER - NEW MODELS	3
15	S02230	SPACER WASHER	2
15A	S04245	SPACER WASHER	2
16	S05398	SPACER TUBE (BETWEEN BEARINGS) - OLD MODELS	1
17	S05394	SCALPING ROLLERS (NYLON)	1
18	S05392	NUT NYLOC 20mm - OLD MODELS	2
18A	S05067	NUT NYLOC - NEW MODELS	3
19	S01301	AXLE SUIT FRONT SCALPING ROLLER	1
20	S03340	BOLT	4
21	S01003	NUT	4
22	S03478	BOLT	2
23	S04242	SPRING WASHER	2
24	S05336	BEARINGS - OLD MODELS	2
25	S05209	ROLLER BRACKET - AFTER 2002 NEW STYLE	3
26	S04226	WASHER	9
27	S01147	R CLIP	3
28	S05209-3	ADJUSTING PIN	3
29	S03217	BOLT, NUT	3
30	S04243	SPRING WASHER	3
31	S05728	PIN TO SUIT SIDE CHUTE	1
32	S002219	SPLIT PIN	1
33	S005729	SPRING	1
34	S05732/S05733	CHUTE LH - CHUTE RH	1
35	S06803	BRONZE BUSH BRG - TO SUIT SPECIAL CASTOR BEAM	4
36	S06802	SPACER PLATE SUIT FSM GEARBOX PLATE (ADVISE THICKNESS)	1
37	S01632	3/8"UNFX 1 1/4 BOLT AND NYLOC NUT	2 SETS



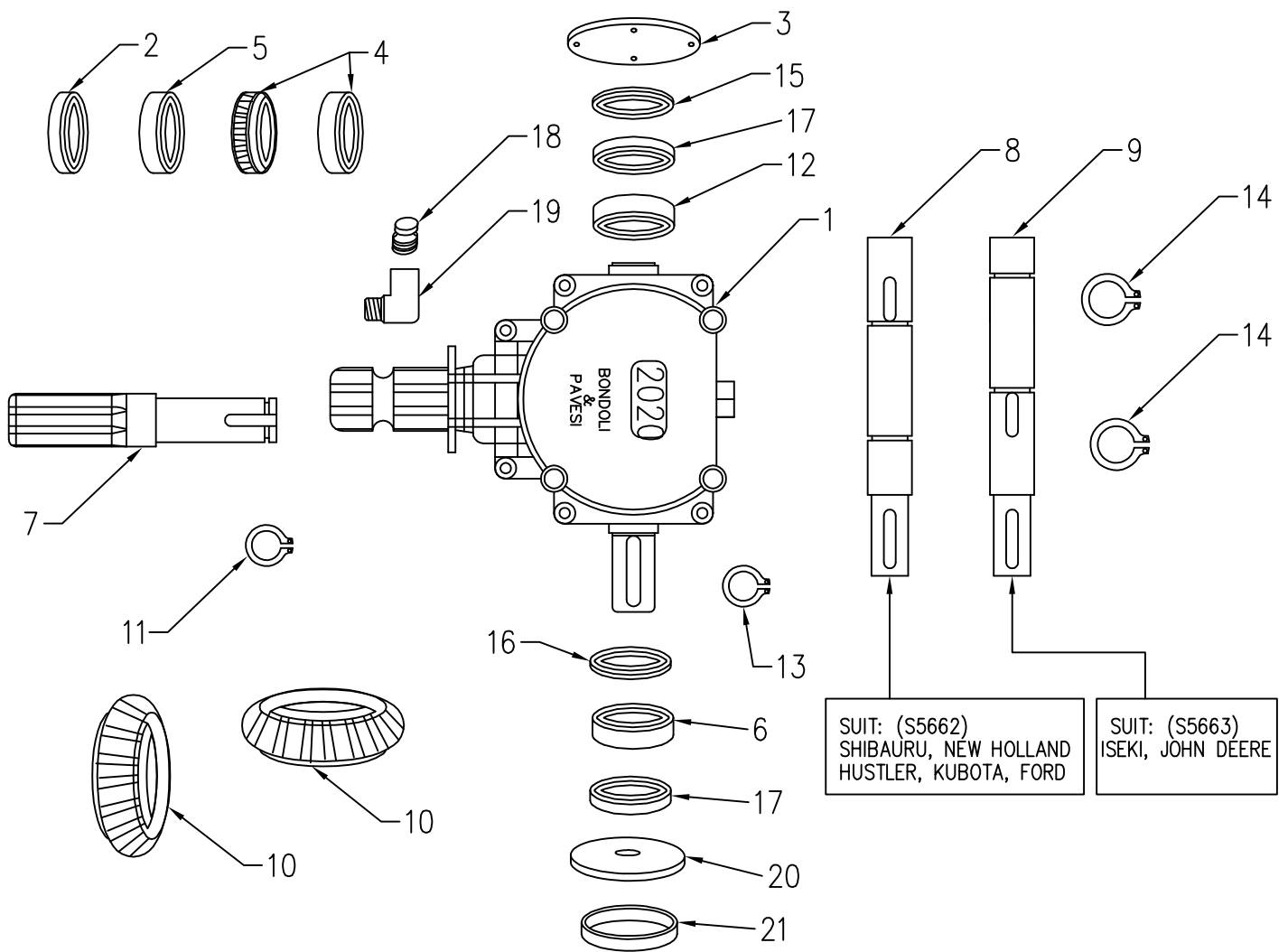
GEARBOX ASSEMBLY - ALLOY 1020 - FSM150 - FSM180

ITEM No.	PART No. Early Model Before July 2001	PART No. Early Model After July 2001-2003	PART No. Late Model After July 2003	DESCRIPTION	No. OFF
1	S5296	S5296	S5296	1020 BYPY GEARBOX COMPLETE	1
2	S5292	S5292	S5292	INPUT SEAL	1
3	S5293	S5293	S5671	UPPER & LOWER SEAL	2
4	S5294	S5294	S5294	INPUT BEARING REAR - CUP & CONE	1
5	S5295	S5295	S5295	INPUT BEARING FRONT	1
6	S5295	S5295	S5295	UPPER & LOWER BEARING	2
7	S5288	S5288	S5288	INPUT SHAFT 1 3/8 X 6	1
8	S5287	S5287	S5662	OUTPUT SHAFT (CHECK ROTATION)	1
9	S5286	S5286	S5663	OUTPUT SHAFT (CHECK ROTATION)	1
10	S5279	S5279	S5279	GEAR SET 1:1 RATIO	PAIR
11	S5278	S5278	S5278	CIRCLIP SET (2) INPUT / OUTPUT	2
12	S6547	S6547	S6547	BREATHER	1

NOTE :- PTO DIRECTION PLEASE ADVISE

TO SUIT ISEKI OR FORD

TYPE :- EG. 1020 & MODEL (FORD, ISEKI, J/DEERE, SHIBAURA ETC.)

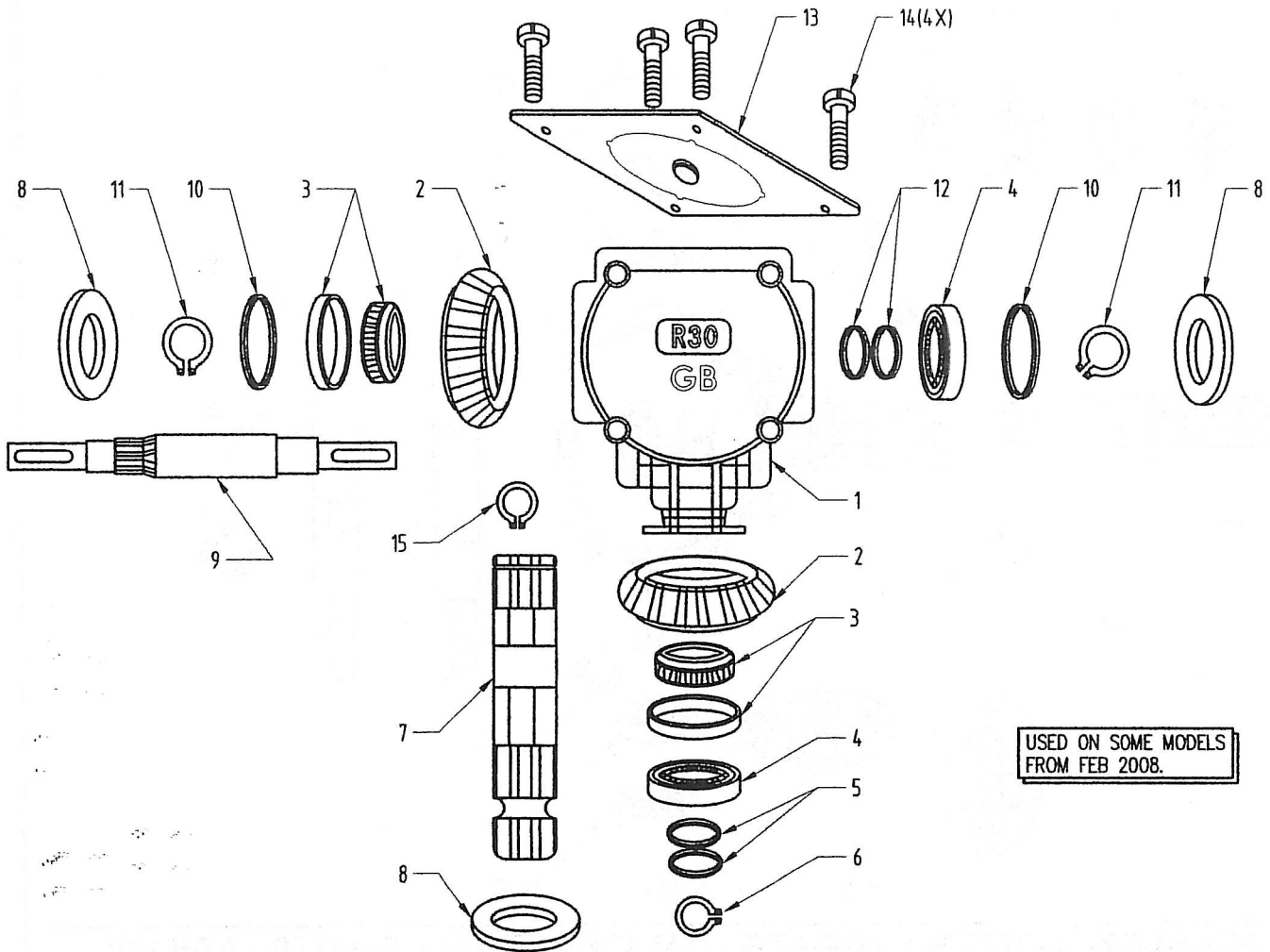


GEARBOX ASSEMBLY UPDATE - CAST IRON 2020 - FSM150 - FSM180

ITEM No.	PART No. Early Model Before July 2001	PART No. Late Model After July 2001	DESCRIPTION	No.OFF
1	S5655	S5655	2020 BYPY GEARBOX COMPLETE	1
2	S5656	S5671	INPUT & OUTPUT SEALS (Early Model before July 2001)	3
3	S5657	S5657	SEAL PLATE	1
4	S5658	S5658	INPUT BEARING REAR - CUP & CONE	1
5	S5659	S5659	INPUT BEARING FRONT	1
6	S5658	S5658	LOWER BEARING	1
7	S5661	S5661	INPUT SHAFT 1 3/8 X 6	1
8	S5662	S5662	OUTPUT SHAFT (CHECK ROTATION)	1
9	S5663	S5663	OUTPUT SHAFT (CHECK ROTATION)	1
10	S5664	S5664	GEAR SET 1:1 RATIO	PAIR
11	S5665	S5665	CIRCLIP SET INPUT	1
12	S5659	S5659	UPPER BEARING	1
13	S5667	S5667	CIRCLIP OUTPUT	2
14	S5668	S5668	CIRCLIP OUTPUT BEARING RETAINER	2
15	S5669	S5669	SHIM (55 X 61)	2
16	S5670	S5670	SHIM (30 X 40)	2
17	/	S5671	OUTPUT SEAL (Late Model after July 2001)	2
18	S6547	S6547	BREATHER	1
19	S5672	S5672	ELBOW	1
20	S4227	S4227	WASHER	1
21	S2243	S2243	SPACER 1"x1 5/8"x1/2"	1

**NOTE : - PTO DIRECTION PLEASE ADVISE
TO SUIT ISEKI OR FORD**

TYPE :- EG. 2020 & MODEL (FORD, ISEKI, J/DEERE, SHIBAURA ETC.)



USED ON SOME MODELS
FROM FEB 2008.

GEARBOX ASSEMBLY UPDATE - CAST IRON R30-GB FSM 180

ITEM No.	PART No. 2008	DESCRIPTION	No.OFF
1	S6230	R30-GB GEARBOX COMPLETE	1
2	S6231	GEAR SET 1:1 RATIO	2
3	S5954.1	INPUT BEARING - CUP & CONE - 30207	2
4	S5954	BEARING (6207)	2
5	S6234	SHIM (35x45x0.2,2.0)	1+1
6	S6235	CIRCLIP (36x2.5)	1
7	S6236	INPUT SHAFT 1 3/8 X 6	1
8	S5957	SEAL 35x72x7	3
9	S6238	OUTPUT SHAFT (CHECK ROTATION)	1
10	S6239	SHIM (62.3x71.3x0.25)	3
11	S6240	CIRCLIP (72x2.5)	2
12	S6241	SHIM (35x45x0.5)	3
13	S6242	GEAR BOX TOP COVER PLATE	1
14	S6243	TOP COVER SCREW	4
15	S6244	CIRCLIP (40x2.5)	1

NOTE :- PTO DIRECTION PLEASE ADVISE
TO SUIT ISEKI OR FORD

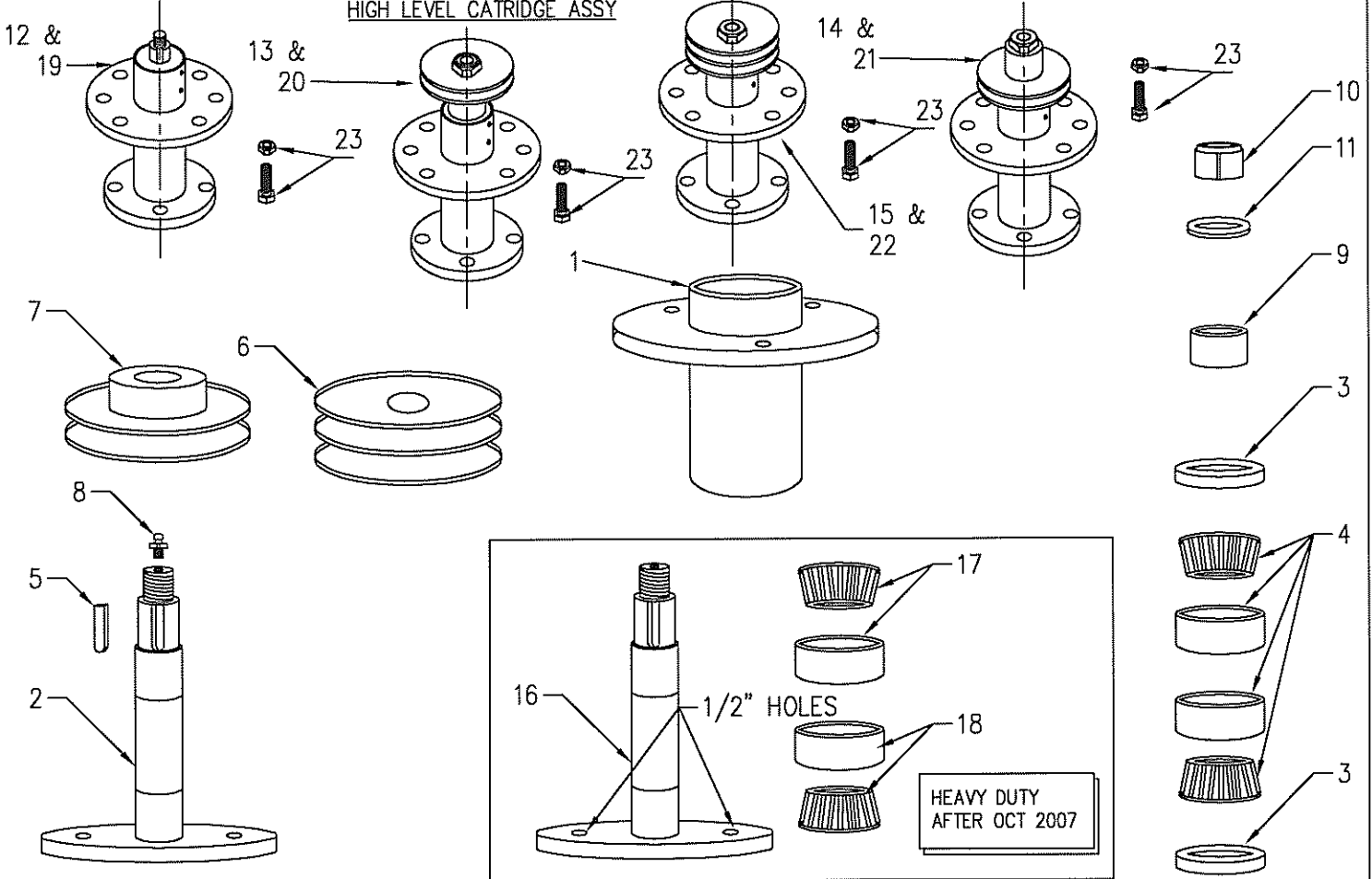
TYPE :- EG. 2020 & MODEL (FORD, ISEKI, J/DEERE, SHIBAURA ETC.)

DOUBLE PULLEY CATRIDGE ASSY

BASIC CATRIDGE ASSY WITHOUT PULLEY

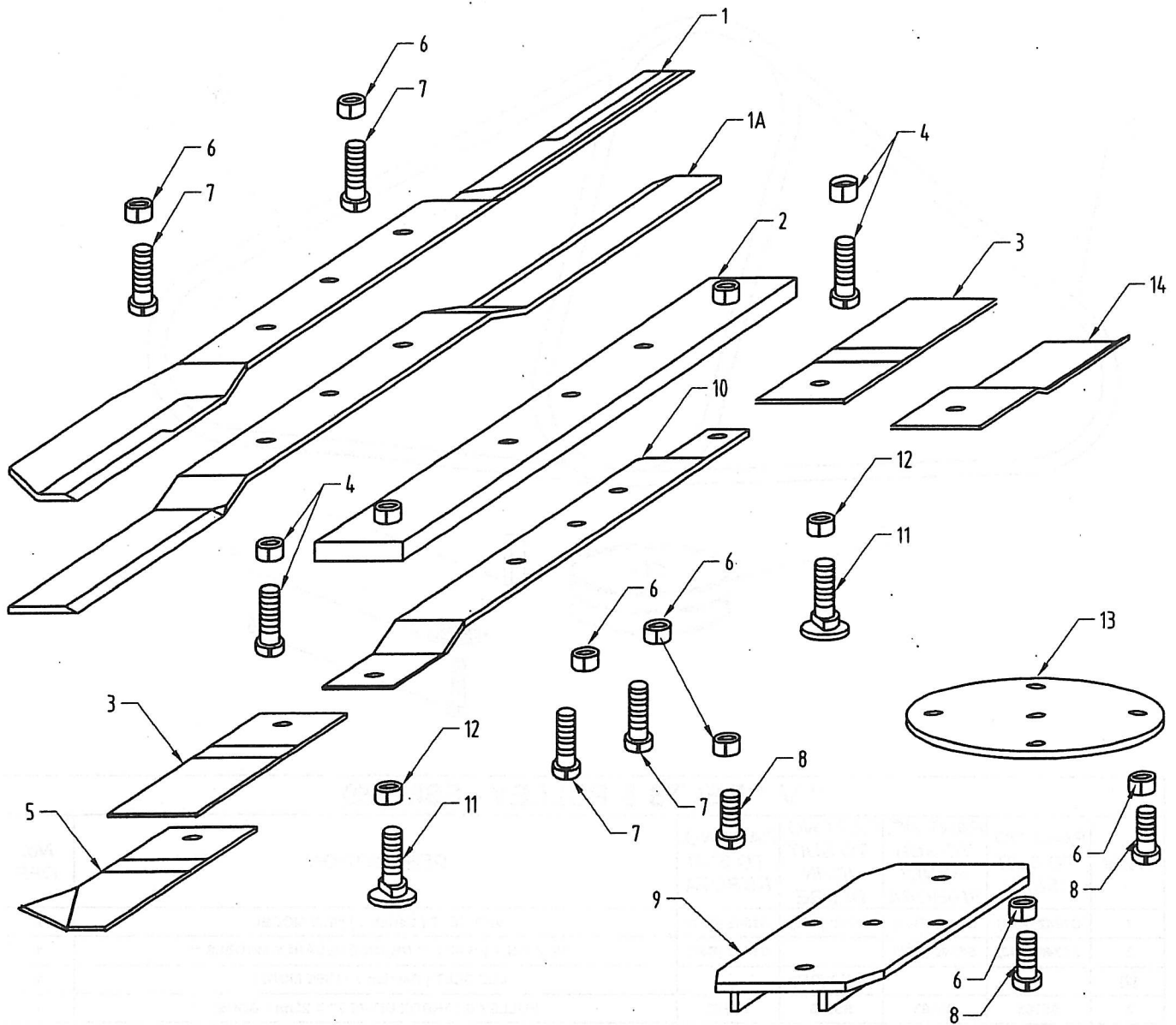
HIGH LEVEL CATRIDGE ASSY

LOW LEVEL CATRIDGE ASSY



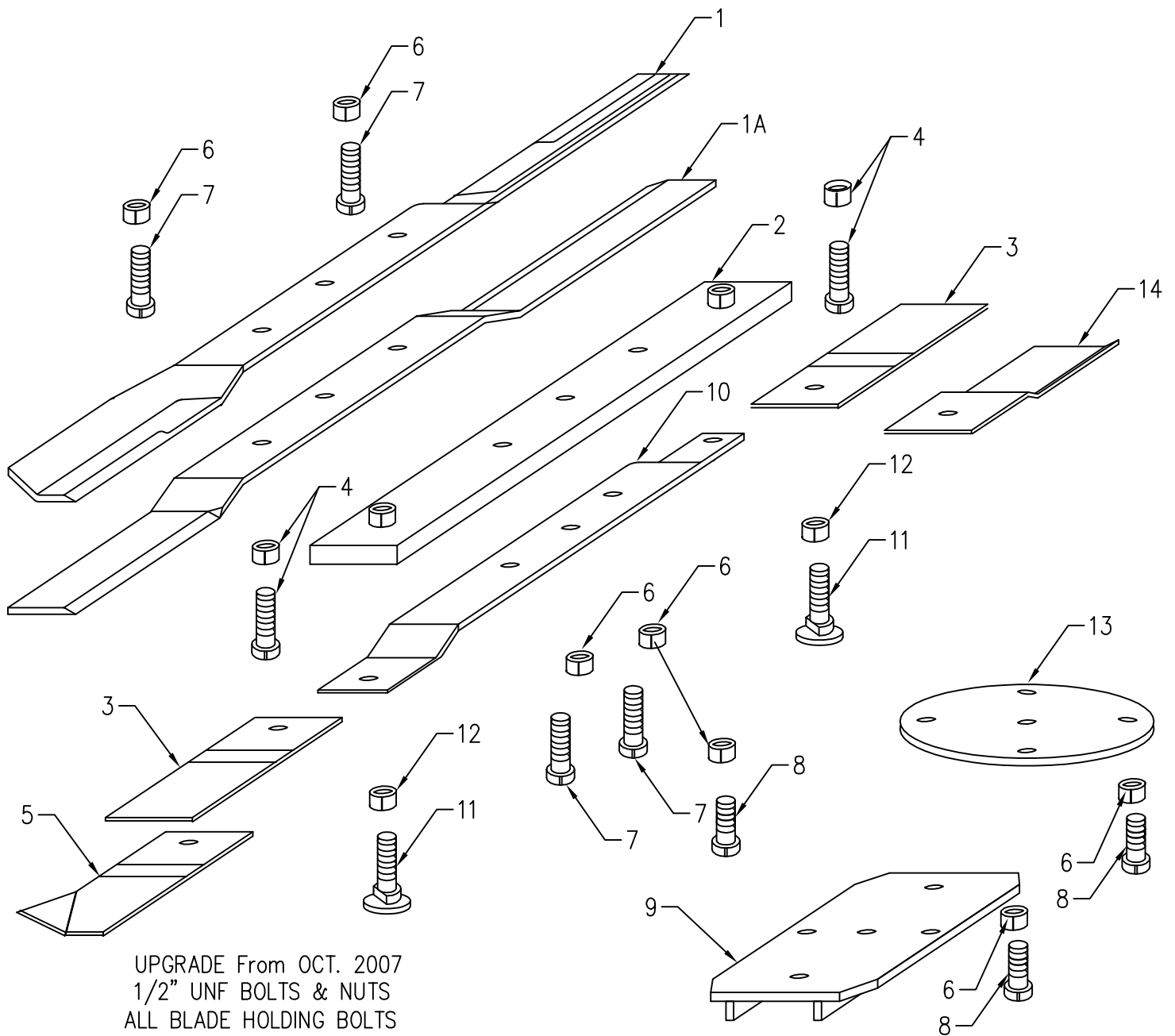
CARTRIDGE ASSEMBLY - FSM 150 - FSM 180

ITEM	PART No. FSM 150	PART No. FSM 180	DESCRIPTION	No.OFF
1	S01292	S01292	CARTRIDGE	1
2	S01633	S01633	SHAFT - BEFORE OCT 2007	1
3	S01161	S01161	SEAL	2
4	S01160	S01160	BEARING TOP & BOTTOM - BEFORE OCT 2007	2
5	S01638	S01638	KEY	1
6	S03933	S03932	PULLEY DOUBLE - 2B	1
7	S03930	S03929	PULLEY SINGLE - 1B	2
8	S01261	S01261	1/4BSF GREASE NIPPLE	1
9	S01295	S01295	SPACER	1
10	S01096	S01096	3/4 UNF NYLOC	1
11	S02230	S02230	3/4" WASHER	1
12	S01570-1	S05378-1	CARTRIDGE ASSY. COMPLETE LESS PULLEY	1
13	S01570	S05378	CARTRIDGE ASSY COMPLETE Single pulley (High)	1
14	S001570-4	S05378-4	CARTRIDGE ASSY COMPLETE Single pulley (LOW)	1
15	S01572	S05379	CARTRIDGE ASSY. COMPLETE DOUBLE PULLEY	1
HEAVY DUTY AFTER OCTOBER 2007				
16	S01633-1	S001633-1	SHAFT - AFTER OCT 2007 - HEAVY DUTY	1
17	S01160	S01160	BEARING TOP	1
18	S01160-1	S01160-1	BEARING BOTTOM - HEAVY DUTY	1
19	S01570-3	S05378-3	CARTRIDGE ASSY. COMPLETE LESS PULLEY	1
20	S01570-2	S05378-2	CARTRIDGE ASSY COMPLETE H/D Single pulley (HI)	1
21	S01570-5	S005378-5	CARTRIDGE ASSY COMPLETE H/D Single pulley (LOW)	1
22	S01572-2	S05379-2	CARTRIDGE ASSY. COMPLETE DOUBLE PULLEY	1
23	S01632	S01632	HEX BOLT 3/8"UNF X 1 1/4" LONG AND NYLOC NUT	6



BLADE ASSEMBLIES - FSM 150 - FSM180

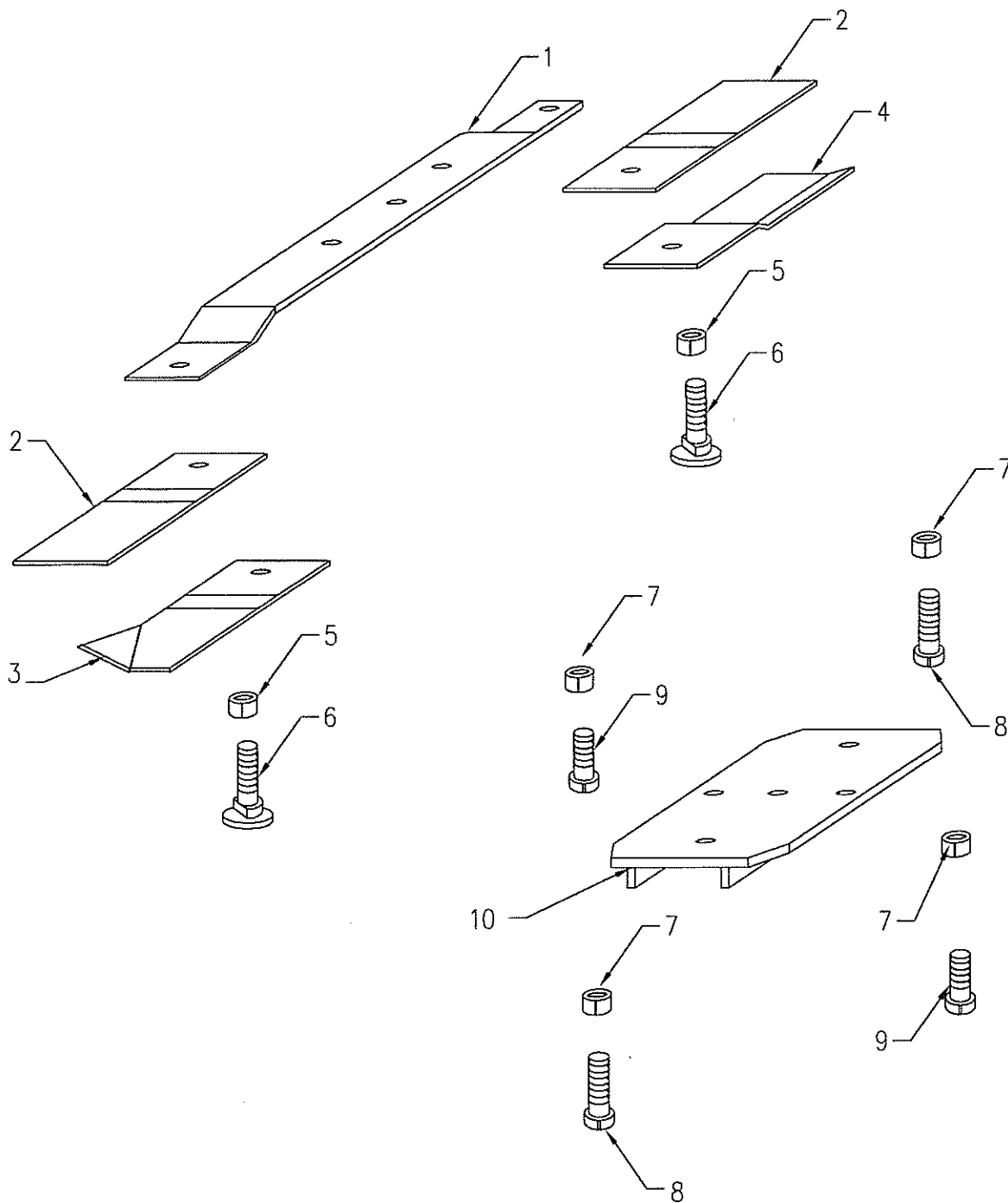
ITEM	PART No. FSM 150	PART No. FSM180	DESCRIPTION	No.OFF
1	S1508	S1631	BAR BLADE - SUCTION LIFT	1
1A	S1524	S1612	BAR BLADE - FLAT STEP	1
2	S5352	S5340	BLADE HANGER SUIT SWING BLADE	1
3	/	S1640	SWING BLADE LITE	2
4	S3370	S3370	BLADE BOLT & NUT ASSY	2
5	S1589	S1655	SWING BLADE W/- SUCTION HVY	2
6	S1024	S1024	NYLOC NUT 3/8 UNF	2
7	S3311	S3311	BLADE BOLT	2
8	S3310	S3310	BOLT Suits Blade Headbox	2
9	S5387-1	/	BLADE HEADBOX Suit 65mmWide Blade	1
9	S5387-1	S5387	BLADE HEADBOX Suit 75mm WIDE BLADE	1
10	S1527	/	BLADE HANGER "D" HOLE SuitsS1589 Blade	1
10	/	S1587	BLADE HANGER "D" Hole Suit 6" S1655 Blade	1
11	S1590	/	BLADE BOLT "D" TYPE & NUT Suits S1589 Blade	2
11	/	S1656	BLADE BOLT "D" TYPE Suits S1655 Blade	2
12	S1026	S1026	NYLOC NUT 7/16UNF Suits "D" Bolt	2
13	S5462	S5386	DISC HEAD - OPTION	1
14	S1217	/	BLADE TWIST	2



UPGRADE From OCT. 2007
 1/2" UNF BOLTS & NUTS
 ALL BLADE HOLDING BOLTS

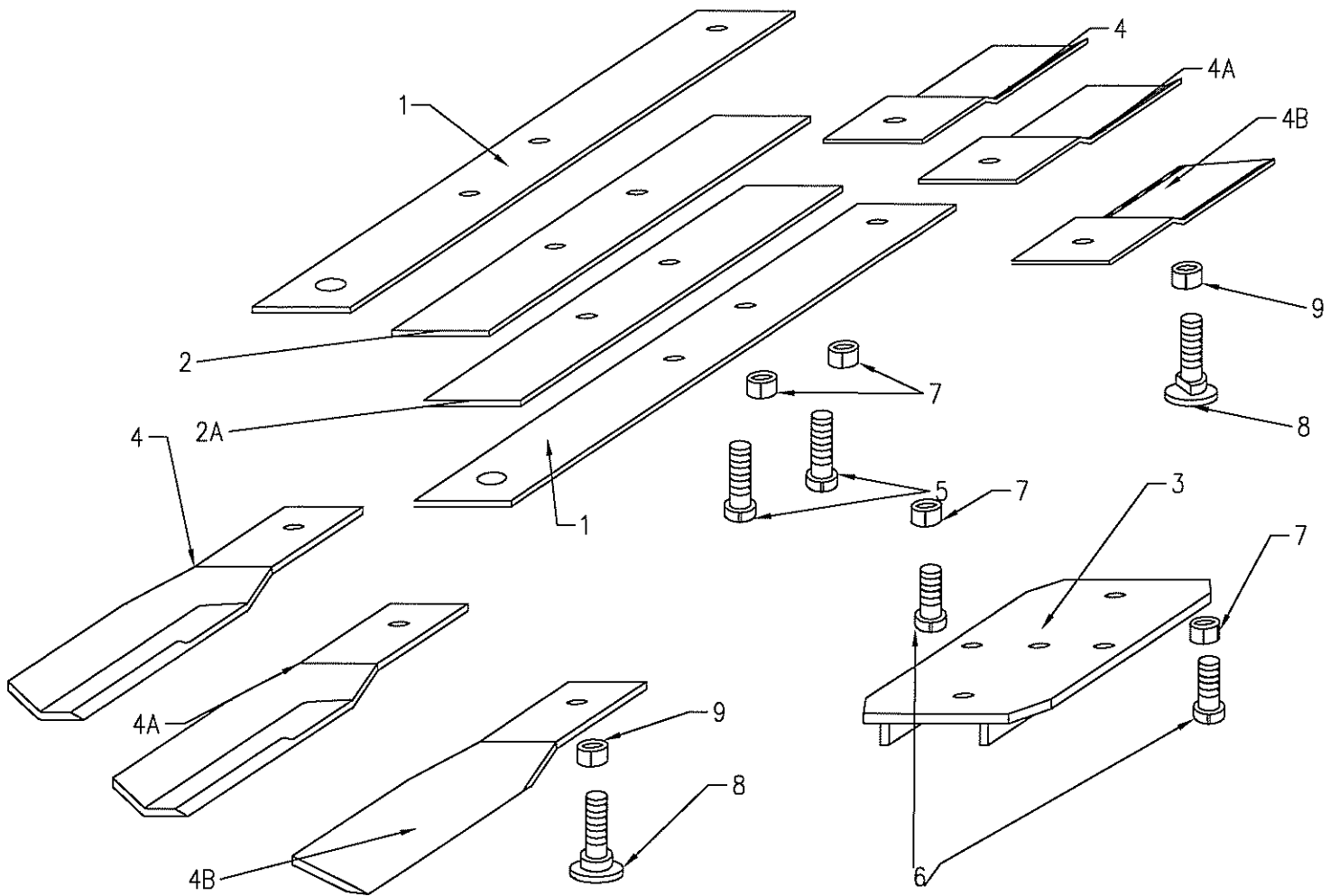
BLADE ASSEMBLIES - FSM 150 - FSM 180 New as From OCT2007

ITEM	PART No. FSM 150	PART No. FSM 180	DESCRIPTION	No.OFF
1	S1508-5	S1631-8	BAR BLADE - SUCTION LIFT 1/2" HOLES	1
1A	S1524-2	S1612-2	BAR BLADE - FLAT STEP 1/2" HOLES	1
2	S5352-1	S5340-1	BLADE HANGER SUIT SWING BLADE 1/2" HOLES	1
3	/	S1640	SWING BLADE LITE	2
4	S1632-1	S1632-1	BLADE BOLT & NYLOC NUT ASSY 1/2"	2
5	S1589	S1655	SWING BLADE W/- SUCTION HVY	2
6	S1028	S1028	NYLOC NUT 1/2" UNF	2
7	S3341	S3341	BLADE BOLT 1/2" UNF	2
8	S3340	S3340	BOLT Suits Blade Headbox	2
9	S5387-3	S5387-3	BLADE HEADBOX Suit 65m m Wide Blade 1/2" Holes	1
9	S5387-2	S5387-2	BLADE HEADBOX Suit 75m m WIDE BLADE 1/2" Holes	1
10	S1527-1	/	BLADE HANGER "D" HOLE Suits S1589 Blade	1
10	/	S1587-1	BLADE HANGER W/- 1/2 Holes "D" Hole Suit 6" S1655 Blade	1
11	S1590	/	BLADE BOLT "D" TYPE & NUT Suits S1589 Blade	2
11	/	S1656	BLADE BOLT "D" TYPE 5/8 UNF Suits S1655 Blade	2
12	S1072	S1072	NYLOC NUT 5/8 UNF Suits "D" Bolt	2
13	S5462-1	S5386-1	DISC HEAD 1/2 Holes - OPTIONAL	1
14	S1217	/	BLADE TWIST	2



BLADE ASSEMBLIES - FSM 150 - FSM180 (OPTIONAL)

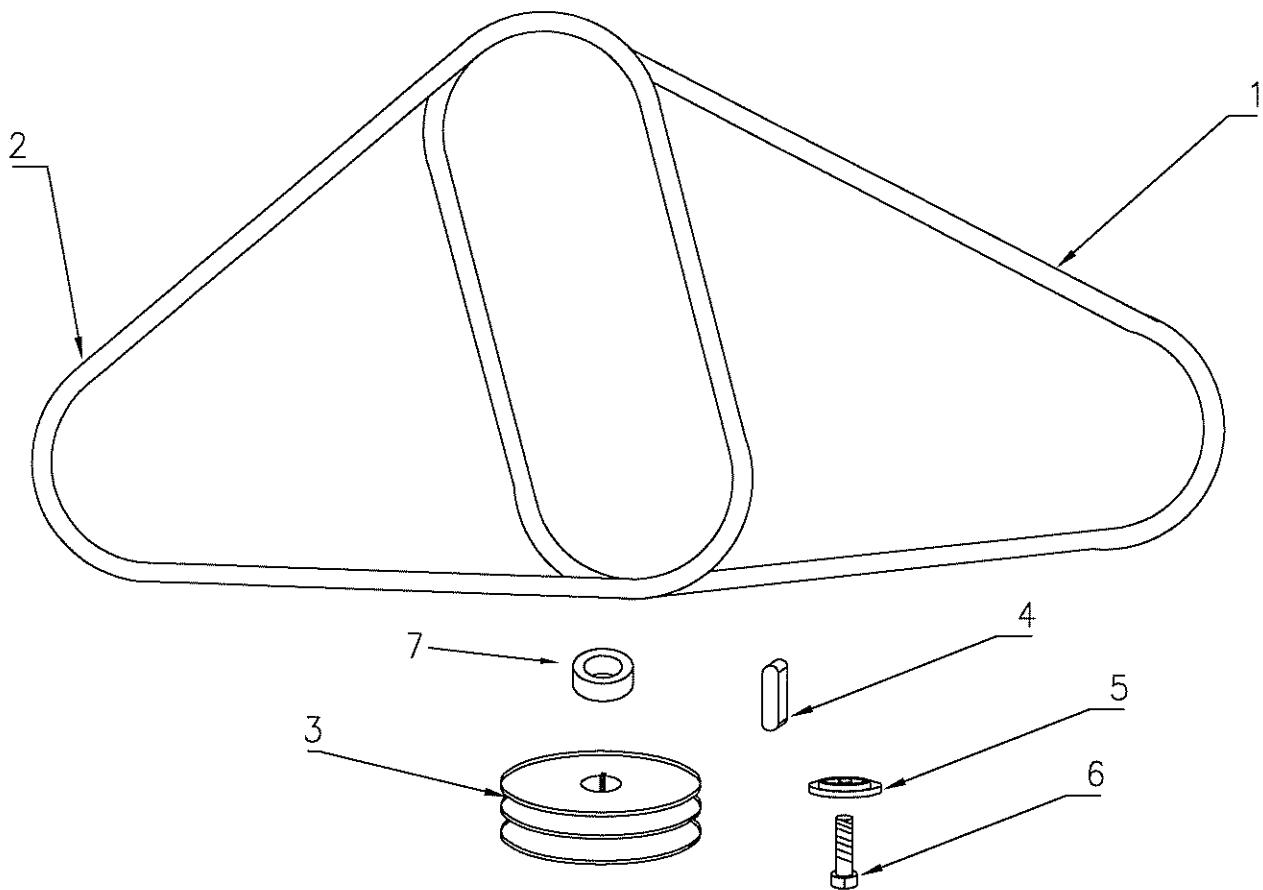
ITEM	PART No. FSM 150	PART No. FSM 180	DESCRIPTION	No.OFF
1	S01527	S01588	B HANGER "D" HOLE SUITS S1589 BLADE	1
2	-	S01589-1	FLAT STEP BLADE (NO SUCTION)	2
3	S01589	S01589	SWING BLADE W/- SUCTION	2
4	S01217	-	SWING BLADE	2
5	S01026	-	NYLOC NUT 7/16UNF SUITS "D" BOLT	2
6	S01590	S01590	BLADE BOLT "D" TYPE & NUT SUITS S1589 BLADE	2
7	S01024	S01024	NYLOC NUT 3/8 UNF	2
8	S03311	S01632	BLADE BOLT + NYLOC NUT	2
9	S03310	S03310	BOLT SUITS BLADE HEADBOX	2
10	S05387-1	-	BLADE HEADBOX SUIT 65mm WIDE BLADE	1
10	-	S05387	BLADE HEADBOX SUIT 75mm WIDE BLADE	1



OPTIONAL SWING TYPE BLADES
AS FROM AUG. 2008

BLADE ASSEMBLIES -FSM180 OPTIONAL from AUG. 2008

ITEM	PART No. FSM 150	DESCRIPTION	No.OFF
1	S04976-2	HEADFLAT 65 X 5 Suit Swing Blade	2
2	S04976-4	SPACER Suit Swing Blade 3mm	1
2A	S04976-3	SPACER Suit Swing Blade 5mm	1
3	S05387-3	BLADE HEADBOX Suit 65mmWide Blade 1/2" Holes	1
4	S03808	BLADE 3mm	2
4A	S03693-1	BLADE 5mm	2
4B	S03693-5	BLADE SELF SHARPENING SUCTION LIFT 5mm THICK	2
5	S03342	BOLT Suits Blade Headbox & H/Flats 1/2" UNF X 2"	2
6	S03340	BOLT Suits Blade Headbox 1/2" UNF X 1 1/2"	2
7	S01028	NYLOC NUT 1/2" UNF	2
8	S03388	BOLT Suits Blade 3/4" X 2"	2
9	S01096	NYLOC NUT 3/4" UNF Thin Type	1

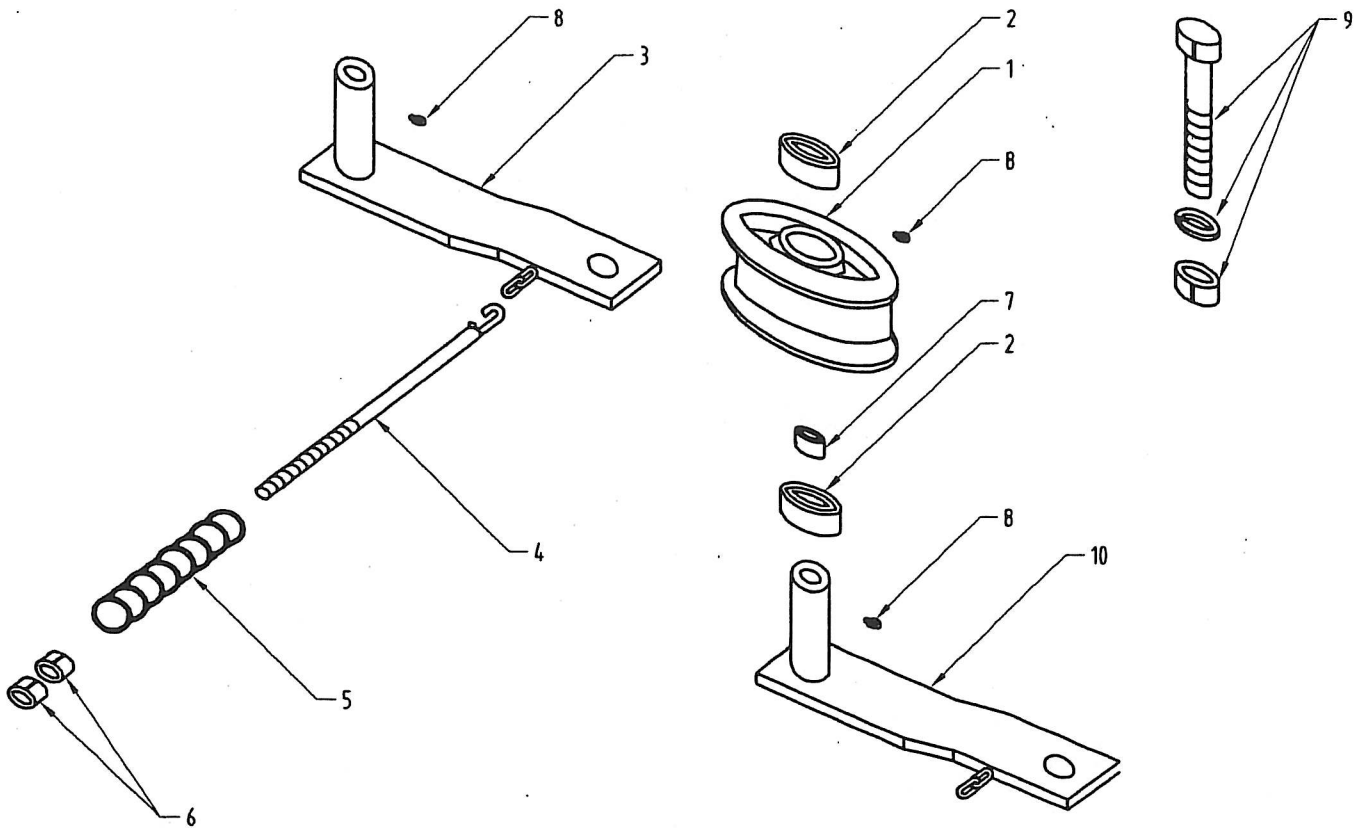


" V " BELTS & PULLEY - FSM 150

ITEM	PART NO. TO SUIT ISEKI	PART NO. TO SUIT FORD/ SHIBAURA	PART NO. TO SUIT JOHN DEERE	PART NO. TO SUIT KUBOTA	DESCRIPTION	No. OFF
1	S01341(B62)	S01341(B62)	-	S01341(B62)	VEE BELT (Series 2) NEW MODEL AFTER2007	2
1	S01342 (B61)	S01342 (B61)	S04149 (B66)	S01342 (B61)	VEE BELT (Series 2) NEW MODEL	2
2	S01346 (B63)	S01346 (B63)	-	S01346 (B63)	VEE BELT (B 63) ** OBSOLETE EARLY MODELS **	1
2	-	-	S04163 (B58)	-	VEE BELT (Series 2) NEW MODEL	1
3	S05363	S05363	S05363	S05363	PULLEY GEARBOX DRIVE 7" X 25mm BORE	1
4	S05314	S05314	S05314	S05314	KEY	1
5	S05315	S05315	S05315	S05315	WASHER PULLEY RETAINING	1
6	S05316	S05316	S05316	S05316	BOLT PULLEY RETAINING (8 X 30)	1
7	S02243	S02243	S02243	S02243	SPACERS 1" ID	1

" V " BELTS & PULLEY - FSM 180

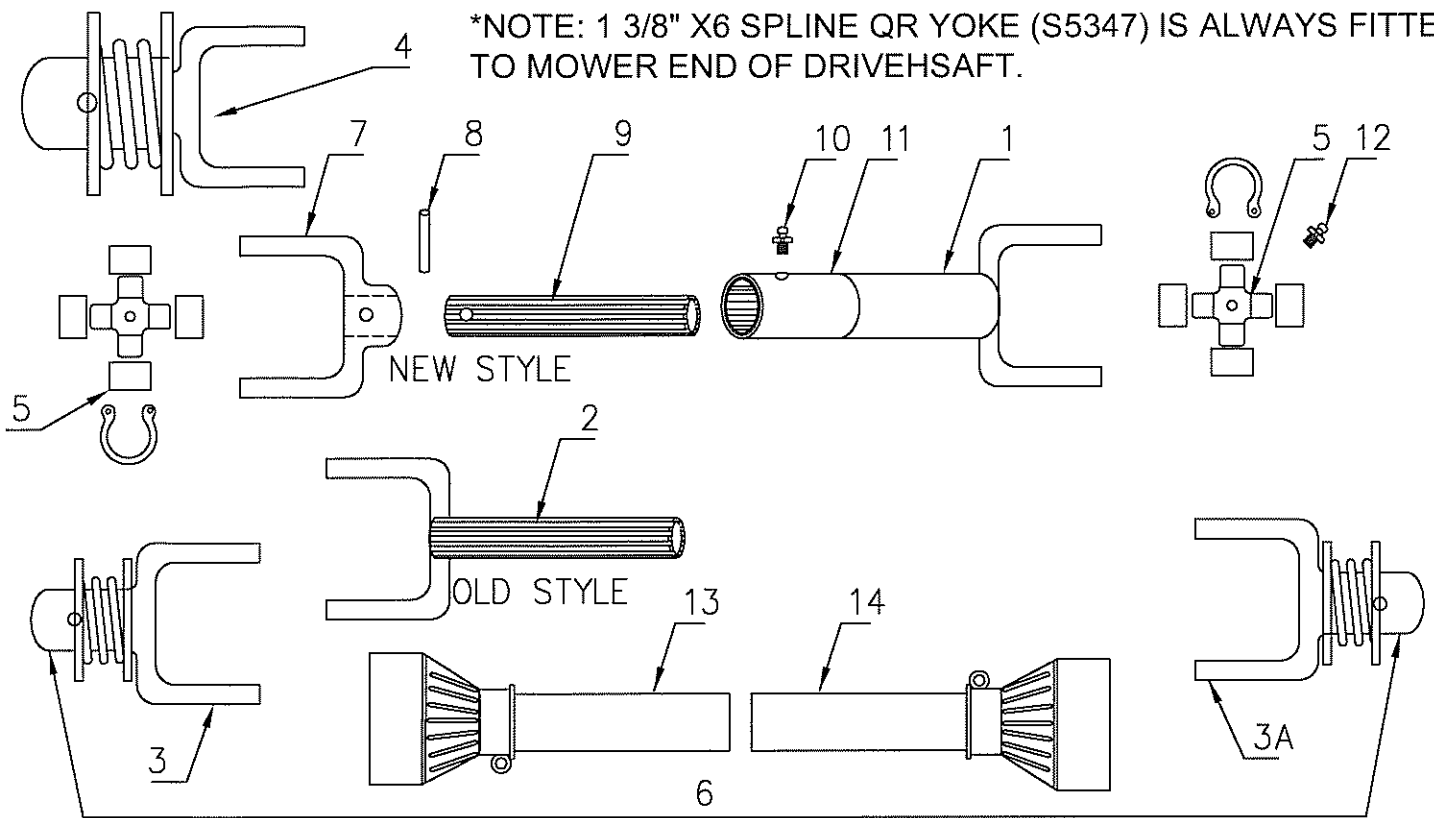
ITEM	PART NO. TO SUIT ISEKI	PART NO. TO SUIT FORD/ SHIBAURA	PART NO. TO SUIT JOHN DEERE	PART NO. TO SUIT KUBOTA	DESCRIPTION	No. OFF
(1)	S01107 (B81)	S04156 (B75)	S01107 (B81)	S01348 (B69)	VEE BELT [MACHINE MANUFACTURED BEFORE JUNE 1998]	1
(2)	S01321 (B69)	S04152 (B70)	S01321 (B69)	S01348 (B69)	VEE BELT [MACHINE MANUFACTURED BEFORE JUNE 1998]	1
(1)	S01348 (B69)	S01348 (B69)	S01348 (B69)	S01348 (B69)	VEE BELT [MACHINE MANUFACTURED JUNE 1998 TO OCT 1999]	1
(2)	S01348 (B69)	S01348 (B69)	S01348 (B69)	S01348 (B69)	VEE BELT [MACHINE MANUFACTURED JUNE 1998 TO OCT 1999]	1
(1)	S01348 (B69)	S01348 (B69)	S04157 (B74)	S01348 (B69)	VEE BELT [MACHINE MANUFACTURED AFTER OCT 1999]	1
(2)	S01348 (B69)	S01348 (B69)	S04149 (B66)	S01348 (B69)	VEE BELT [MACHINE MANUFACTURED AFTER OCT 1999]	1
(1)	S01323 (B78)	S01323 (B78)	S01323 (B78)	S01323 (B78)	VEE BELT (LONG) - OFFSET	1
(2)	S01318 (B65)	S01318 (B65)	S01318 (B65)	S01318 (B65)	VEE BELT (SHORT) - OFFSET	1
3	S05249 (6")	S05313 (5")	S05249 (6")	S05249 (6")	PULLEY GEARBOX DRIVE [MACHINES MANUFACTURED BEFORE JULY 2000]	1
(3)	S05363 (7")	S05249 (6")	S05363 (7")	S05363 (7")	PULLEY GEARBOX DRIVE [MACHINES MANUFACTURED AFTER JULY 2000]	1
4	S05314	S05314	S05314	S05314	KEY	1
5	S05315	S05315	S05315	S05315	WASHER PULLEY RETAINING	1
6	S05316	S05316	S05316	S05316	BOLT PULLEY RETAINING (8 X 30)	1
7	S02243	S02243	S02243	S02243	SPACERS 1" ID	1



IDLER TENSIONER PULLEY - FSM150 - FSM180

ITEM	PART No.	DESCRIPTION	No. OFF
1	S3707	IDLER PULLEY	1
2	S1677	BEARINGS (20mm 6204)	2
3	S5401	IDLER ARM LOWER (NEW STYLE)	1
4	S5320	IDLER ARM TENSIONER ROD & LOCK NUTS	1
5	S1619	TENSIONER SPRING	1
6	S4102	TENSIONER LOCK NUT	2
7	S4068	BUSH	1
8	S1261	GREASE NIPPLE STRT 1/4 BSF	1
9	S3554	BOLT, NUT & WASHER ASSY. 3" X 3/4" (HEAD MACHINED.)	1
10	S5402	IDLER ARM UPPER (NEW STYLE)	1
	S3847	IDLER PULLEY COMPLETE	1

*NOTE: 1 3/8" X6 SPLINE QR YOKE (S5347) IS ALWAYS FITTED TO MOWER END OF DRIVE SHAFT.



MACHINES AFTER TO 10/2/97

DRIVE SHAFT ASSEMBLY (BYPY) - FSM 150 - FSM 180

ITEM	PART No.	DESCRIPTION	No.OFF
1	S5344	TUBE YOKE (HI - SPEED)	1
2	S5345	BAR YOKE (HI - SPEED) - OLD STYLE	1
3	S5361	YOKE QR 1" X 10 SPLINE (KUBOTA)	1
3A	S5346	YOKE QR 1" X 15 SPLINE (FORD / J.DEERE)	1
4	S5347	YOKE QR 13/8" X 6 SPLINE (ISEKI)	2
5	S5348	UNI JOINT	2
6	S5349	HI SPEED DRIVE SHAFT COMPLETE ### (FORD / J.DEERE) ADVISE LENGTH	1
6	S5354	HI SPEED DRIVE SHAFT COMPLETE ### (ISEKI)	1
6	S5362	HI SPEED DRIVE SHAFT COMPLETE ### (KUBOTA)	1
7	S5225	YOKE - NEW STYLE	1
8	S2173	ROLL PIN - NEW STYLE	1
9	S5224	BAR - NEW STYLE	1
10	S1261	GREASE NIPLE	1
11	S5219	WELD IN DRIVE NIB	1
12	S5276	GREASE NIPLE - 90 RND	1
13	S5217	D/SHAFT Cover Female suit HI Speed Shaft (Bypy)	1
14	S5218	D/SHAFT Cover Male suit HI Speed Shaft (Bypy)	1

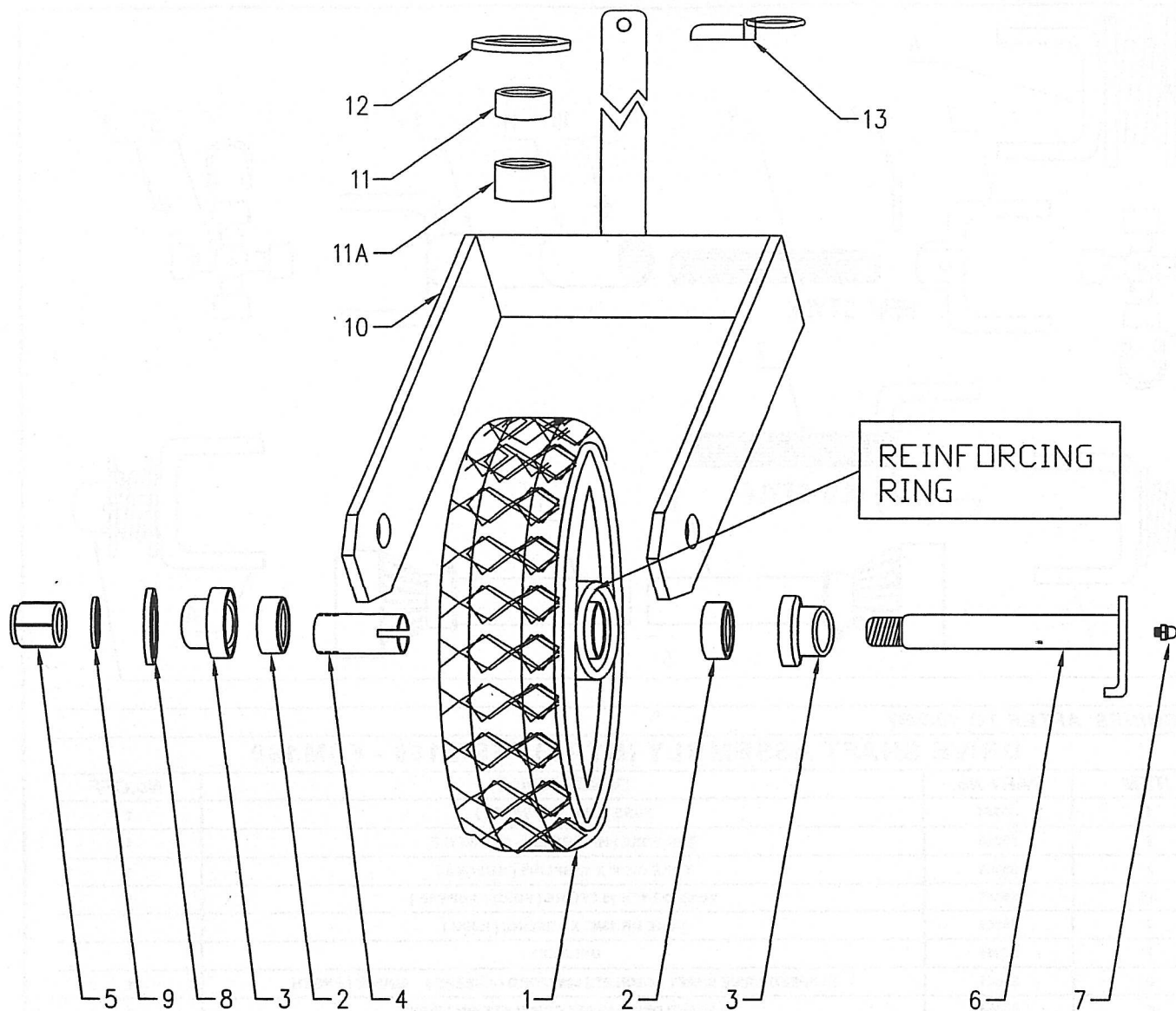
NOTE:- STATE LENGTH & YOKES REQUIRED WHEN ORDERING P/No. S5349, S5354, S5362 DRIVE SHAFT COMPLETE

MACHINES PRIOR TO 10/2/97

DRIVE SHAFT ASSEMBLY (WALTERSCHIED) - FSM 150 - FSM 180

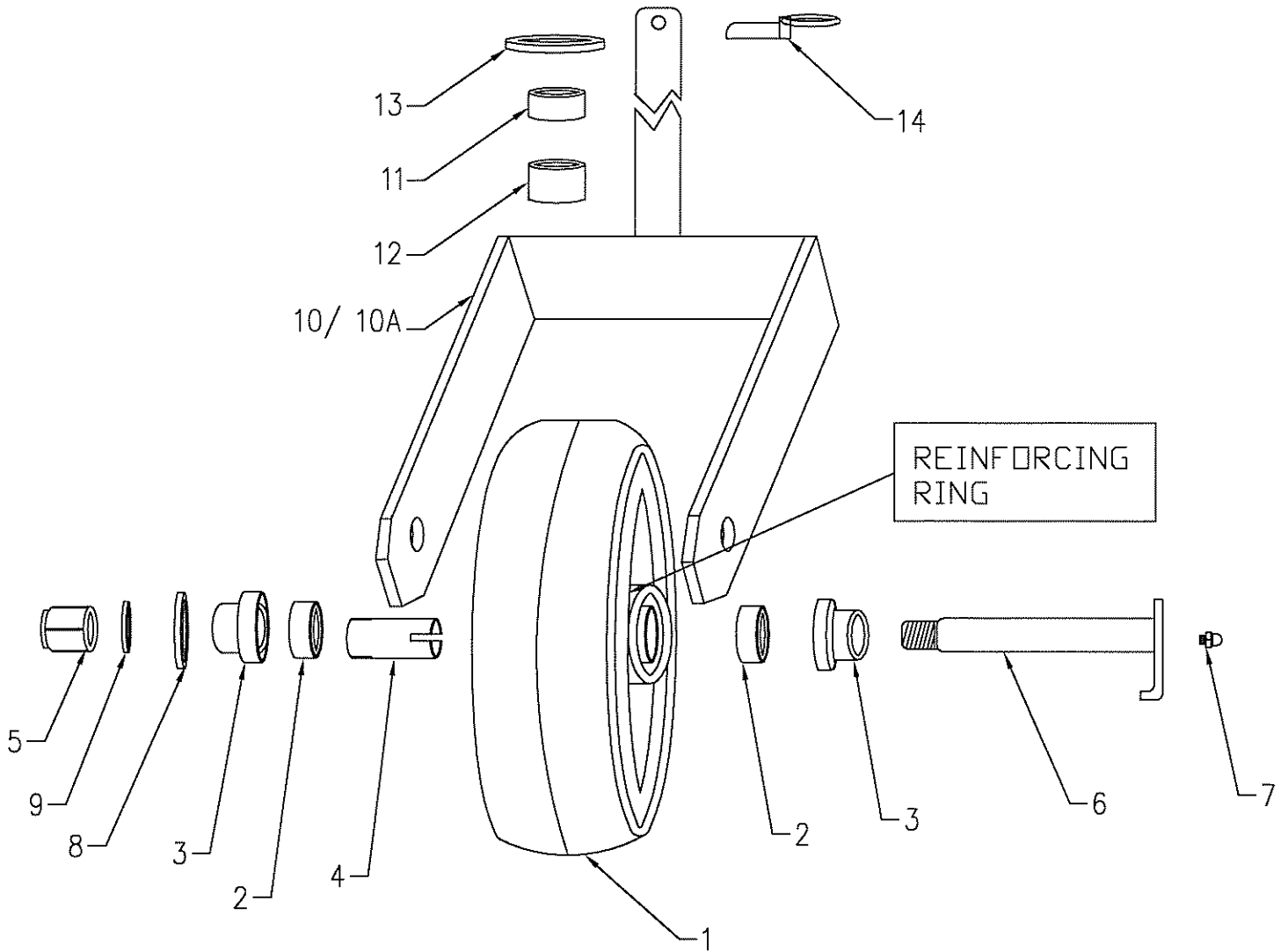
ITEM	PART No.	DESCRIPTION	No.OFF
1	S5307	TUBE YOKE (HI - SPEED)	1
2	S5308	BAR YOKE (HI - SPEED)	1
3	S5309	YOKE QR 1" X 15 SPLINE (FORD / J.DEERE)	1
4	S5310	YOKE QR 13/8" X 6 SPLINE (ISEKI)	2
5	S5311	UNI JOINT	2
6	S5312	HI SPEED DRIVE SHAFT COMPLETE ###	1

NOTE:- STATE LENGTH & YOKES REQUIRED WHEN ORDERING P/No. S5312 DRIVE SHAFT COMPLETE



WHEEL ASSEMBLIES FRONT PNEUMATIC - FSM 150 - FSM 180

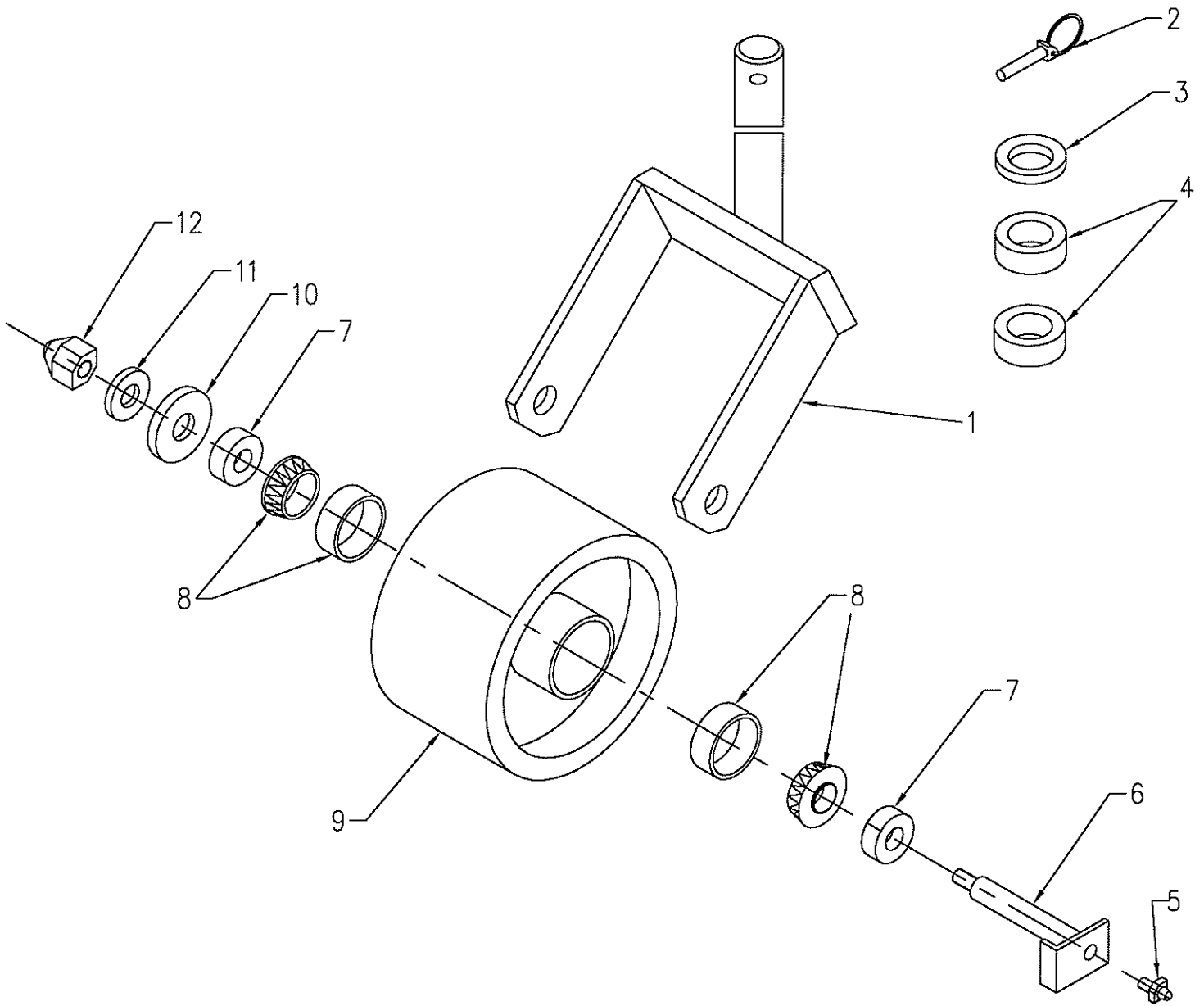
ITEM	PART No.	DESCRIPTION	No. OFF
1	S5300	WHEEL ASSY. COMPLETE (13 X 500 X 6)	1
2	S5302	BEARING (205 - 25m m) (INNER SEAL REM OVED)	2
3	S5303	PIPE SPACER & DUST CAP	2
4	S5304	BEARING SPACER (INTERNAL)	1
5	S5067	NYLOC NUT 3/4" UNC	1
6	S5305	AXLE (25m m DIA)	1
7	S1261	GREASE NIPPLE STRT (1/4" BSF)	1
8	S2245	WASHER 1"	1
9	S2230	WASHER 3/4"	1
10	S5289	FRONT WHEEL FORK (NEW SHORT SERIES)	1
11	S3861	FORK SPACERS - 1"	3
11A	S3861-1	FORK SPACERS - 3/4"	3
12	S1008	WASHER 1 1/4"	1
13	S4011	FORK LYNCH PIN	1
14	S5297	TYRE & TUBE ONLY (13 x 500 x 6) - NOT SHOWN	1
15	S5301	RIM ONLY (600 x 6) (NOT SHOWN) (INCLUDE REINFORCING RINGS, SHOWN ABOVE)	1



WHEEL ASSEMBLY - CARLISLE MAKE (OPTIONAL)

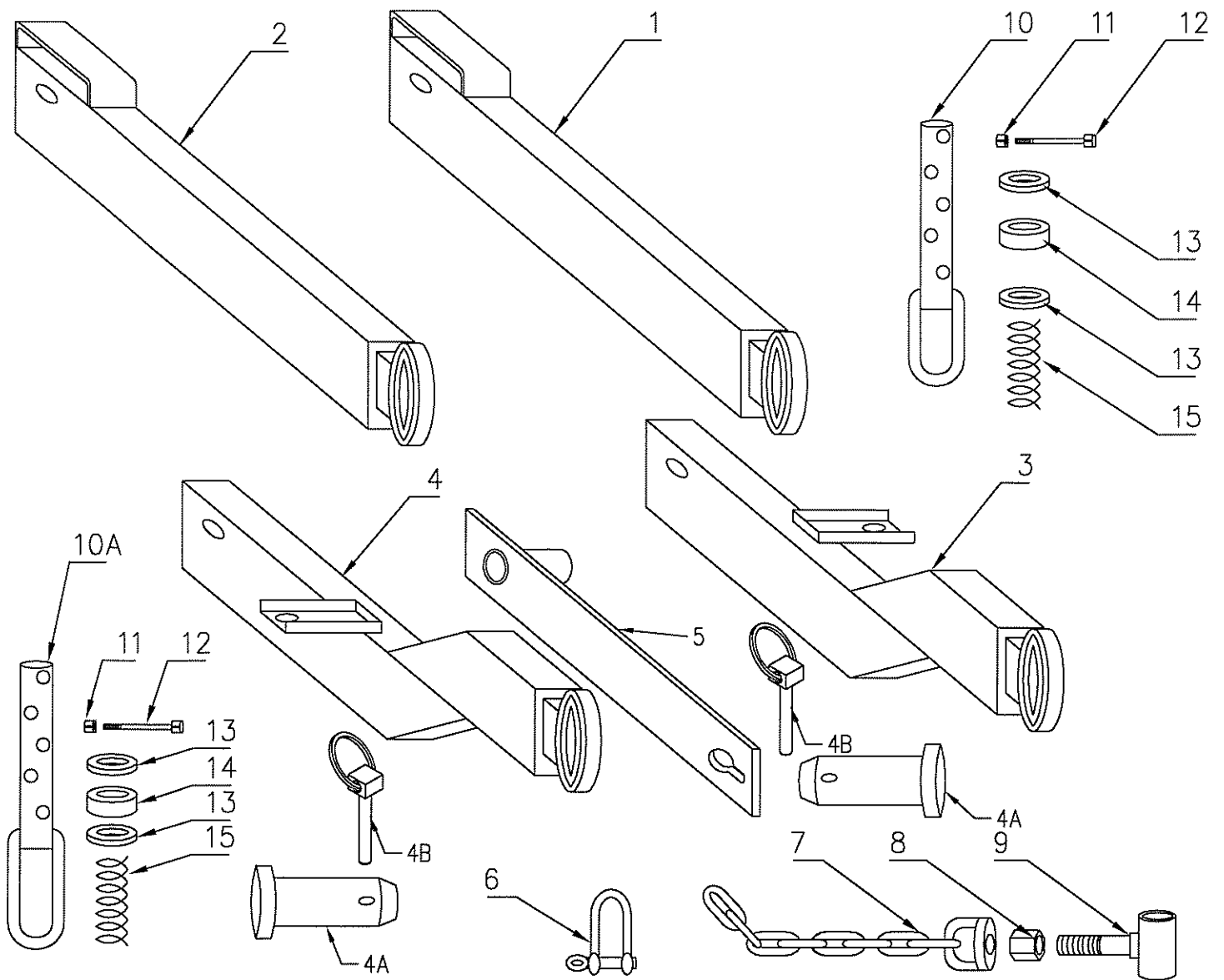
FSM150- FSM180

ITEM	PART No.	DESCRIPTION	QTY. OFF PER ASSEMBLY
1	S05300-2	SOLID CASTOR WHEEL (SIZE 13X500X6) (ITEMS 1 TO 4)	1
2	S05302	BEARING (205 - 25m m) (INNER SEAL REMOVED)	2
3	S05303	PIPE SPACER & DUST CAP	2
4	S05304	BEARING SPACER (INTERNAL)	1
5	S05067	NYLOC NUT 3/4" UNC	1
6	S05305	AXLE (25m m DIA)	1
7	S01261	GREASE NIPPLE STRT (1/4" BSF)	1
8	S02245	WASHER 1"	1
9	S02230	WASHER 3/4"	1
10	S05289	WHEEL FORK SHORT SERIES	1
10A	S05306	WHEEL FORK LONG SERIES	1
11	S03861	FORK SPACERS - 1"	3
12	S03861-1	FORK SPACERS - 3/4"	3
13	S01008	WASHER 1 1/4"	1
14	S04011	FORK LYNCH PIN	1
15	S05703	WHEEL ASSEMBLY COMPLETE (ITEMS 1 TO 14)	1



**WHEEL ASSEMBLIES REAR SOLID FSM150-180
(MODELS BEFORE YEAR 2000)**

ITEM	PART NO.	DESCRIPTION	NO. OFF
1	S3858	FORK CASTOR	1
2	S4011	FORK LYNCH PIN	1
3	S1008	FORK WASHER 1 1/4"	1
4	S3861	FORK SPACERS 3/4" & 1"	6
5	S1261	GREASE NIPPLE STRT 1/4" BSP	1
6	S3860	AXLE GREASEABLE	1
7	S4078	BEARING SPACER	2
8	S4084	BEARING CUP & CONE	2
9	S3859	CASTOR WHEEL SOLID	1
10	S2245	WASHER 1"	1
11	S2230	WASHER 3/4"	1
12	S5067	NYLOC NUT 3/4"UNC	1
13	S3880	WHEEL ASSEMBLY COMPLETE (ITEMS 5-12)	1



LINKAGE ARMS & CONNECTING ROD - FSM150 - FSM180

ITEM	PART No.	DESCRIPTION	No.OFF
1	S05403	LINKAGE ARM LH NEW STYLE STRT. (ISEKI)	1
2	S05404	LINKAGE ARM RH. NEW STYLE STRT. (ISEKI)	1
3	S05405	LINKAGE ARM LH NEW STYLE STRT. (FORD J/DEERE)	1
4	S05406	LINKAGE ARM RH NEW STYLE STRT. (FORD J/DEERE)	1
3	S05407	LINKAGE ARM LH NEW STYLE (KUBOTA)	1
4	S05408	LINKAGE ARM RH NEW STYLE (KUBOTA)	1
4A	S04009	PIN CAT 1 TOP LINK 3/4" B75 (86mm)	2
4B	S04011	LINKAGE PIN	2
5	S05328	ADJUSTABLE LINK BAR - ISEKI	2
6	S02643	"D" SHACKLE - ISEKI	2
7	S05409	ADJUSTABLE LINK CHAIN NEW STYLE - ISEKI	2
8	S05329	ADJUSTING LINK LOCK NUT - ISEKI	2
9	S05256	ADJUSTING LINK THREAD WITH BUSH (ISEKI)	2
10	S05326	ADJUSTABLE LINK (FORD / KUBOTA)	2
10A	S05326-1	ADJUSTABLE LINK (J.DEERE ONLY)	2
11	S01025	NUT 3/8 UNC NYLOC	2
12	S03479	BOLT 1 1/4 x 3/8 UNC	2
13	S04233	WASHER HVY. DUTY	4
14	S05375	WASHER RUBBER 50 X 20 X12	2
15	S05376	SPRING 100 LONG	2

FSM150 & FSM180

WARRANTY

Your Superior Product is covered by **Manufacturers Warranty of 180 days** against faulty parts and or workmanship. Warranty does not cover operator abuse, or damage to the cutting head assembly (head flats, blades etc.) Should a warranty type problem develop with your new Mower **contact your local dealer** who will refer the problem to SUPERIOR EQUIPMENT. Items for any warranty inspection must be **forwarded on a pre-paid basis. Goods supplied are on a charge basis, subject to warranty inspection.**

(See page 1 for Corporate Philosophy / Warranty / Liability)

OWNERS NOTES

Model:	Serial No.
---------------	-------------------

LUBRICATION DATES	

SPARE PARTS REFERENCES	