

INDEX

	PAGE
CORPORATE PHILOSOPHY	1
SAFETY INSTRUCTIONS	2
OPERATON INSTRUCTIONS	3 - 4
GRADER BLADE COMPONENTS - G4	5
GRADER BLADE COMPONENTS - G6	6
GRADER BLADE COMPONENTS - GT6, GT7, GT8	7
GRADER BLADE COMPONENTS - GT6, GT7, GT8	8
OPTIONAL HYD. FITTINGS - GT6, GT7, GT8, GT10	9
OPTIONAL CASTOR WHEEL - GT6, GT7, GT8, GT10	10
OPTIONAL CASTOR ASSEMBLY - GT6, GT7, GT8, GT10	11

SUPERIOR GRADER BLADES

MODELS G4, G6, GT6, GT7, GT8, GT10

SETTING UP YOUR GRADER BLADE CONNECTING TO TRACTOR

Note :- All Superior Grader Blades come with a stand to facilitate connecting & disconnecting the grader blade to your tractor, this should be used at all times,

1. Connect TRACTOR bottom linkage arms to Grader Blade TPL..
2. Connect TRACTOR Top Linkage Arm to Grader Blade TPL.
3. Make sure Top Link Pin is in Place
4. (Optional Hydraulics) Connect Hydraulic Cylinder Hoses to Tractor Hydraulics. (Check fittings supplied that they are compatible with Tractor's Hydraulics.)
5. Before operating Hydraulic models all pins need to be removed from all moving points. Ie:-Tilt, Angle, & offset. (**Depends on options fitted.**)
6. Manual operated Grader Blade models G4 has angle, tilt & offset....G6 has angle & offset only, tilt is carried out by using either high or low holes in bottom TPL. Pins
Models GT6, GT7, GT8, GT10 have angle, tilt & offset.

GT MODELS....

7. Blade angle adjustments are carried out by removing clevis pins in turntable and moving blade to the desired angle & replace clevis pins in corresponding holes.
8. Blade tilt adjustments are carried out by removing clevis pins in top tilt plates and by tilting blade to desired angle & replace clevis pins in corresponding holes.
9. Blade offset is carried out by undoing the bolt on TPL. "D" plate, offset blade to side required and the desired amount and replace bolt in corresponding hole and tighten.

G4 & G6 MODELS

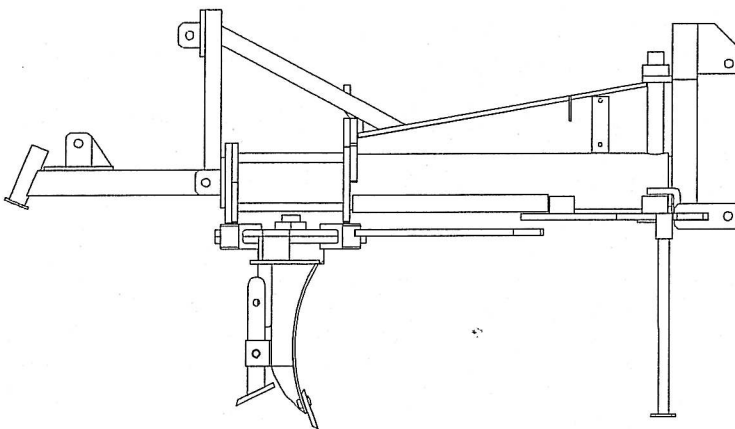
10. The G4 model grader blade has a tilt mechanism built in to the rear of the blade. Adjustment is carried out by removing pin from tilt arm, tilt blade in either direction replace pin in corresponding hole.
The blade angle adjustment is carried out by removing bolts on the blade turntable turn blade to desired angle and replace bolts in corresponding holes and tighten.
11. The G6 model Blade angle adjustments are carried out by undoing turntable nut, which allows blade to drop down approx. 12mm and move blade to the desired angle and corresponding notches and retighten nut.

11. The G6 model Blade angle adjustments are carried out by undoing turntable nut, which allows blade to drop down approx. 12mm and move blade to the desired angle and corresponding notches and retighten nut.
12. The G6 & G4 Blade offset is carried out by undoing the bolt on TPL. "D" plate, offset blade to side required and the desired amount and replace the bolt in the corresponding hole and tighten.
13. The G6 Blade tilt can only be carried out by moving the tractor lower linkage arms into different positions in the lower linkage pin plates. (Two (2) holes each side).
Move the tractor linkage arms to the upper hole on one side and the lower hole on the other side, finer adjustment can be obtained by the screw adjustment fitted to most tractors TPL. arms
12. GREASE :- All Purpose EPL2

OWNERS NOTES

14. Machine Serial No _____
15. Date Purchased _____
16. Date Warranty Returned to Superior _____

**USE GRADER BLADE STAND WHEN DETACHING
And
REATTACHING TO YOUR TRACTOR.**



G4..Approx. Weight..125 Kgs

G6..Approx. Weight.. 200 Kgs

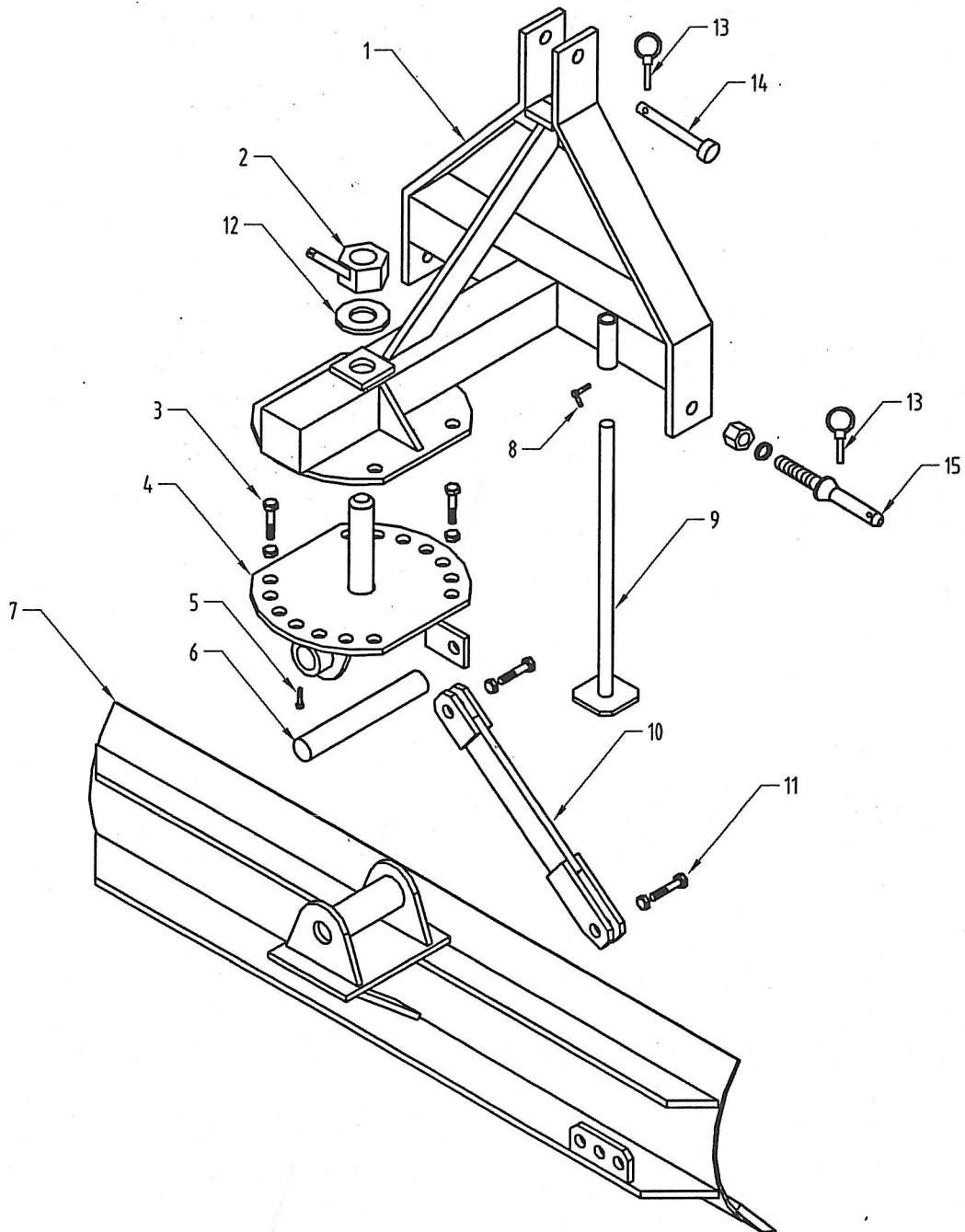
GT6..Approx.Weight 250 Kgs

GT7..Approx Weight 300 Kgs

GT8..Approx Weight 350 Kgs

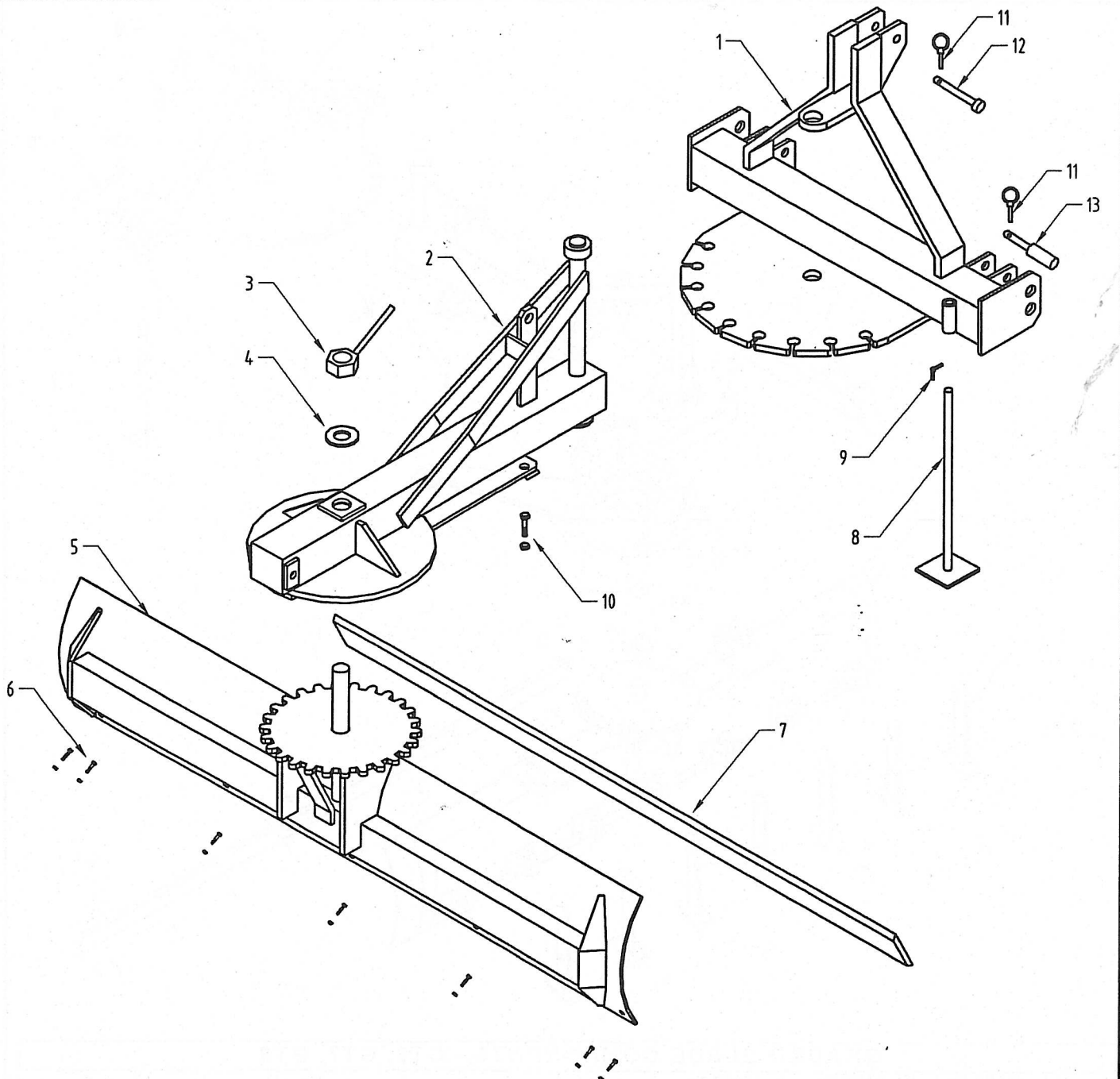
GT10.Approx Weight 550 Kgs

WEIGHTS WILL VARY DEPENDING ON OPTIONS



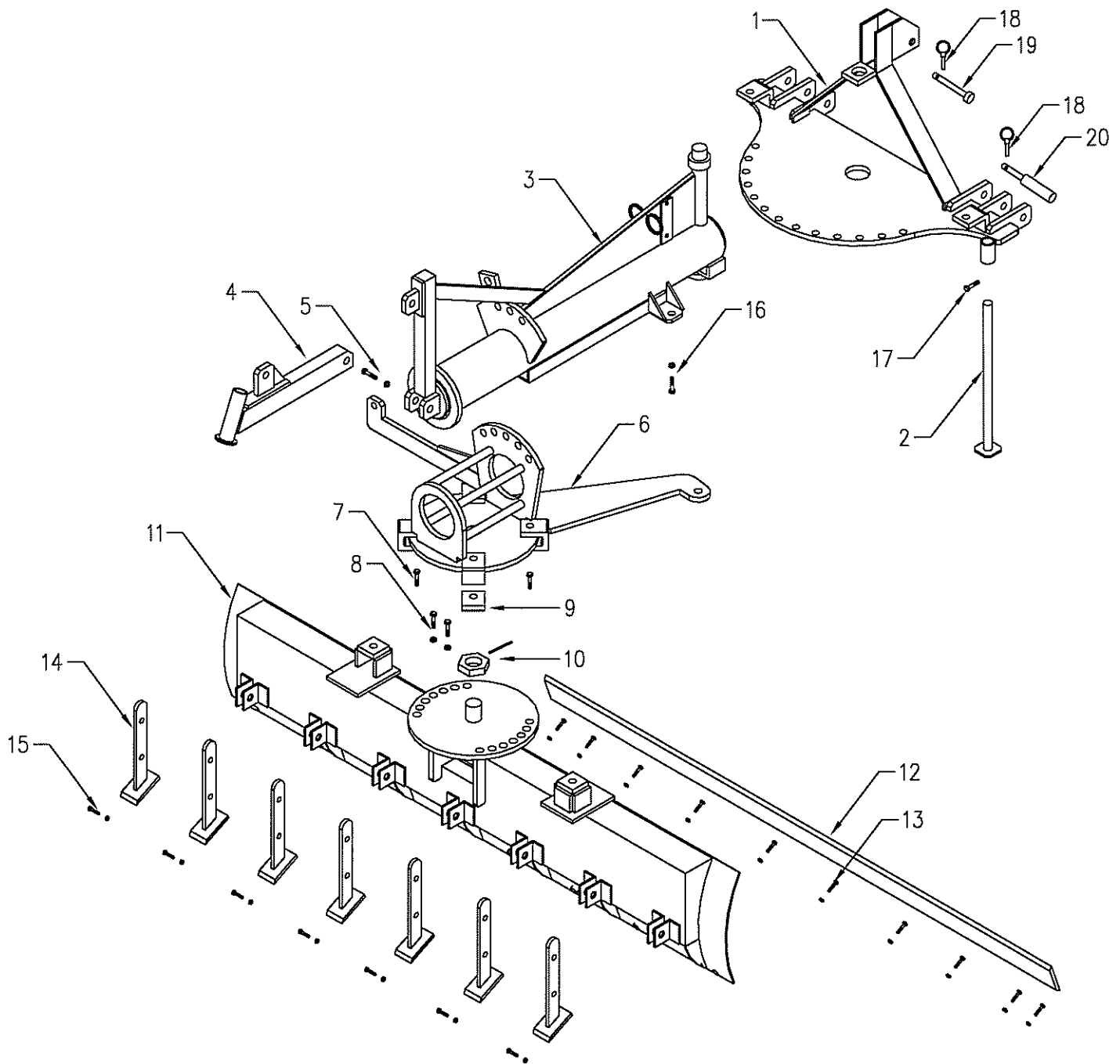
GRADER BLADE COMPONENTS - G4

ITEM No	PART No.	DESCRIPTION	No OFF
1	S6462	TPL & MAIN BODY ASSY	1
2	S6465	NUT W/- HANDLE	1
3	S3552	BOLT & NUT	2
4	S6474	REAR TURNTABLE & TILT ASSY.	1
5	S4087	LOCKING BOLT	1
6	S6475	PIN	1
7	S6443	MOULBOARD ASSY.	1
8	S6466	BOLT (Tag Welded)	1
9	S6468	STAND	1
10	S6473	TILT PLATE	1
11	S3537	BOLT & NUT	2
12	S4235	WASHER	1
13	S4011	LYNCH PINS	3
14	S4009	TOP LINK PIN	1
15	S4410	T.P.L. PIN	2
	S2520	G4 Grader Blade - Complete	1



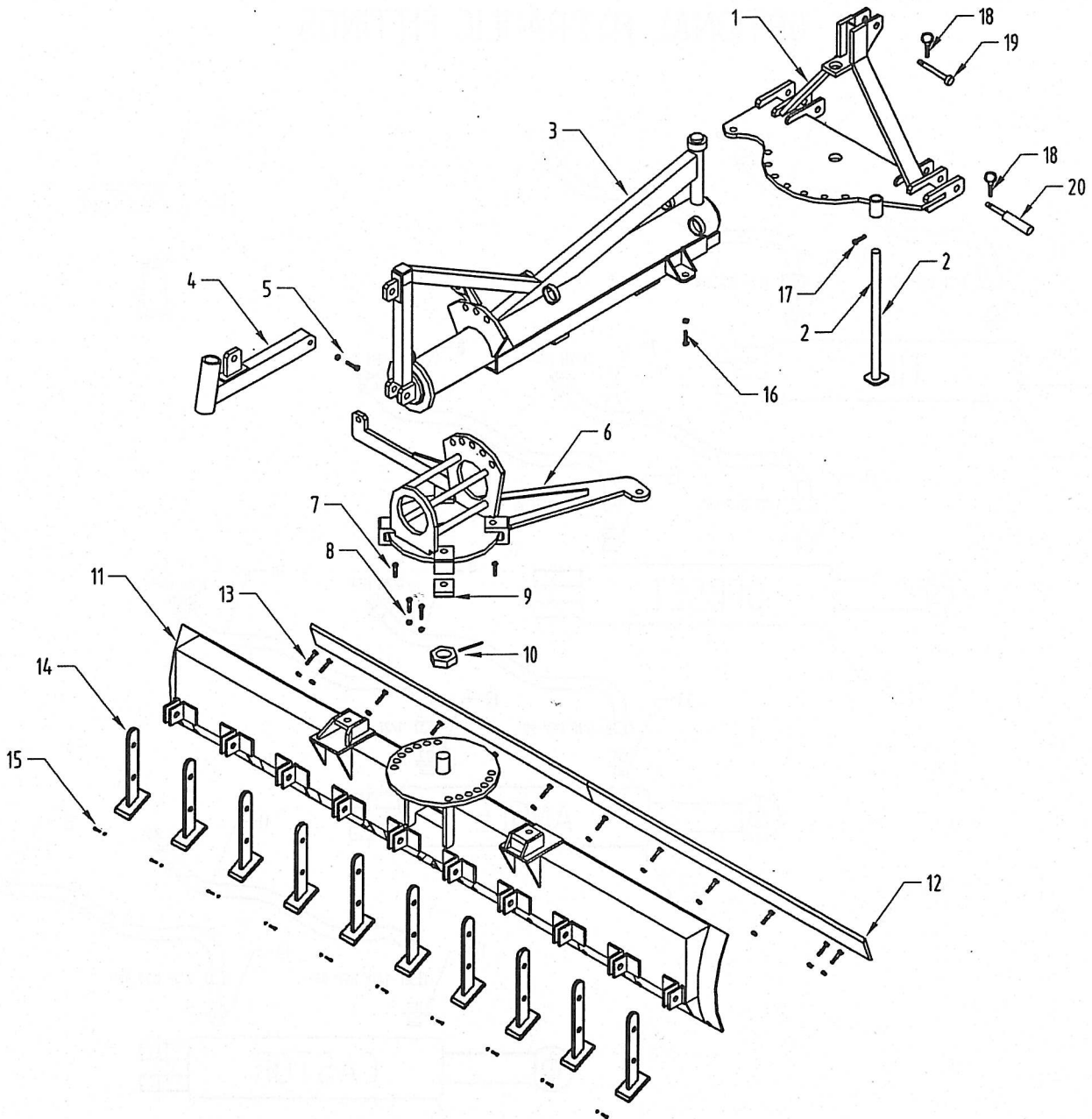
GRADER BLADE COMPONENTS - G6

ITEM No	PART No.	DESCRIPTION	No OFF
1	S6461	TPL. "D" PLATE OFFSET ASSY.	1
2	S6463	MAIN BODY ASSY.	1
3	S6464	NUT W/- HANDLE	1
4	S4236	WASHER	1
5	S6442	MOULBOARD ASSY.	1
6	S2519	PLOW BOLT, NUT & WASHER	7
7	S2513	CUTTING EDGE	1
8	S6467	STAND	1
9	S6466	BOLT (Tag Welded)	1
10	S6472	HANDLE BOLT, NUT, SPRING WASHER	1
11	S4011	LYNCH PINS	3
12	S4009	TOP LINK PIN	1
13	S7008	T.P.L. PIN	2
	S2521	G6 Grader Blade - Complete	1



GRADER BLADE COMPONENTS - GT6, GT7, GT8

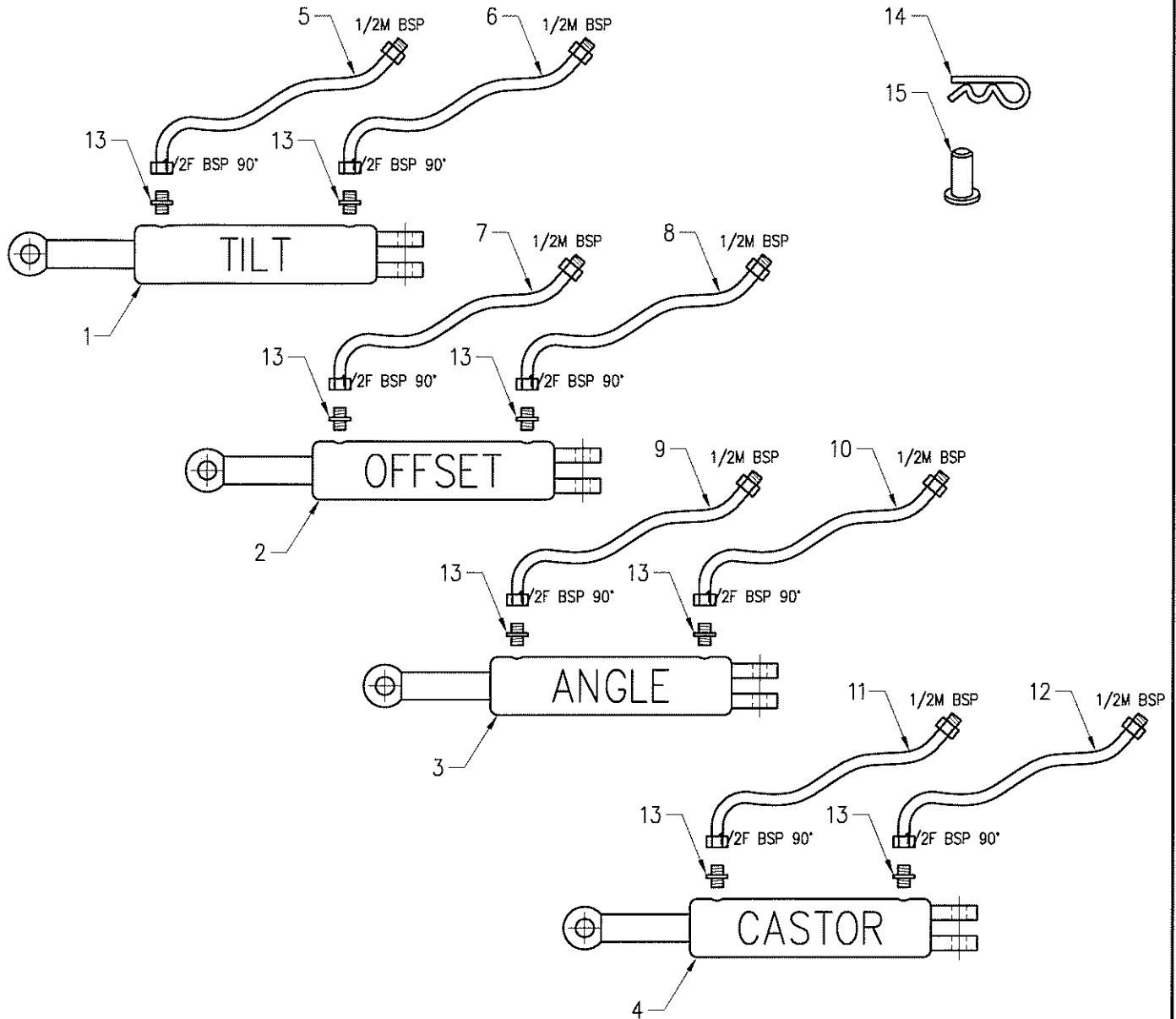
ITEM No	PART No.GT6	PART No. GT7	PART No. GT8	DESCRIPTION	No OFF
1	S06455	S06454	S06453	TPL. "D" PLATE OFFSET ASSY.	1
2	S06459	S06458	S06458	STAND	1
3	S06451	S06450	S06449	MAIN BODY ASSY.	1
4	S06457	S06456	S06456	CASTOR BEAM	1
5	S03557	S03557	S03557	BOLT, NUT & WASHER Suit Castor	1
6	S06447	S06446	S06445	REAR TURNTABLE & TILT ASSY.	1
7	S02250	S02250	S02250	PINS Adjusting Suit Clevis	2
8	S03376	S03376	S03376	BOLT,NUT & WASHER Suit Clevis	2
9	S06460	S06460	S06460	CLEVIS...Bolt On	1
10	S06469/S06471	S06469/S06471	S06470/S06471	NUT & ROLL PIN	1
11	S06441	S06440	S06439	MOULBOARD ASSY.	1
12	S02513	S02514	S02527	CUTTING EDGE	1
13	S02519	S02519	S02519	PLOW BOLT, NUT & WASHER	GT6= 8OFF GT7= 9OFF GT8= 10OFF
14	S06436	S06436	S06436	RIPPER TYNES	GT6= 6 OFF GT7= 7OFF GT8= 8 OFF
15	S06437/S04011	S06437/S04011	S06437/S04011	PIN & LYNCH PIN	GT6= 6 OFF GT7= 7OFF GT8= 8 OFF
16	S03552	S03552	S03552	BOLT & NUT	1
17	S02251	S02251	S02251	"R" CLIP	1
18	S04011	S04011	S04011	LYNCH PINS	3
19	S04009	S04132	S04132	TOP LINK PIN	1
20	S07008	S07008	S07008	T.P.L. PIN	2
21	S02522	S02523	S02524	GRADER BLADE ASSEMBLY COMPLETE	1



GRADER BLADE COMPONENTS - GT10

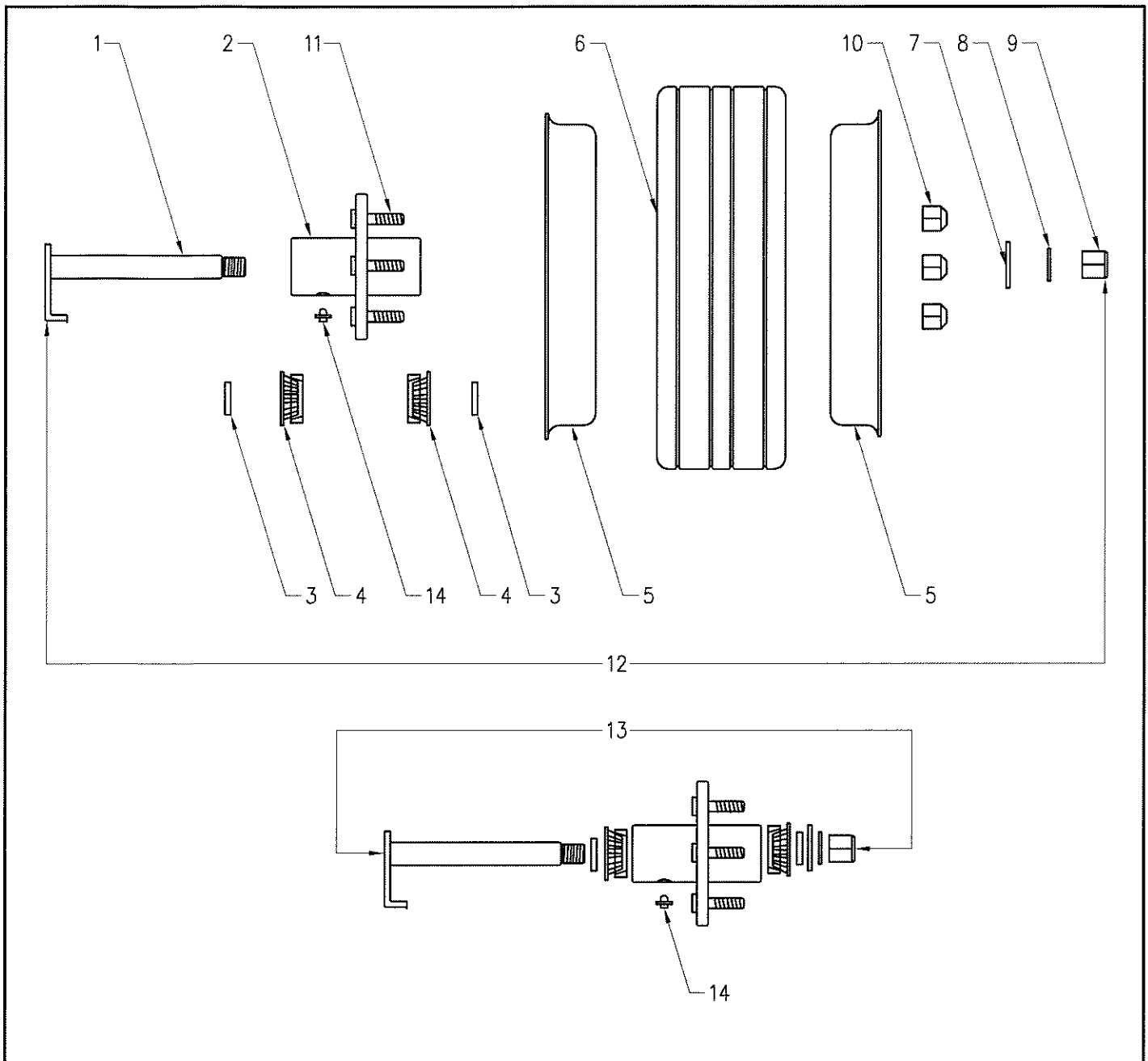
ITEM No	PART No.	DESCRIPTION	No OFF
1	S6452	TPL. "D" PLATE OFFSET ASSY.	1
2	S6458	STAND	1
3	S6448	MAIN BODY ASSY.	1
4	S6456	CASTOR BEAM	1
5	S3557	BOLT, NUT & WASHER Suit Castor	1
6	S6444	REAR TURNTABLE & TILT ASSY.	1
7	S2250	PINS Adjusting Suit Clevis	2
8	S3376	BOLT, NUT & WASHER Suit Clevis	2
9	S6460	CLEVIS...Bolt On	1
10	S6470/S6471	NUT & ROLL PIN	1
11	S6438	MOULBOARD ASSY.	1
12	S2533	CUTTING EDGE	2
13	S2519	PLOW BOLT, NUT & WASHER	12
14	S6436	RIPPER TYNES	10
15	S6437/S4011	PIN & LYNCH PIN	10
16	S3552	BOLT & NUT	1
17	S2251	"R" CLIP	1
18	S4011	LYNCH PINS	3
19	S4132	TOP LINK PIN	1
20	S7008	T.P.L. PIN	2
	S6435	GT10 Grade Blade - Complete	1

OPTIONAL HYDRAULIC FITTINGS

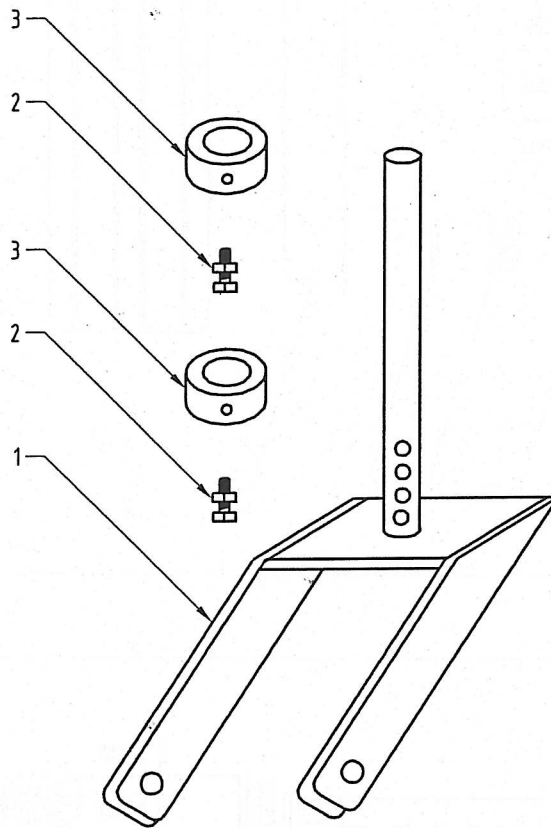


OPTIONAL HYDRAULIC FITTINGS - GT6, GT7, GT8, GT10

ITEM No	PART No. GT6	PART No. GT7	PART No. GT8	PART No. GT10	DESCRIPTION	No OFF
1	S02240	S02240	S02240	S02240	TILT CYLINDER	1
2	S02240	S02240	S02240	S02240	OFFSET CYLINDER	1
3	S02240	S02240	S02525	S02525	ANGLE CYLINDER	1
4	S02526	S02526	S02526	S02526	CASTOR CYLINDER	1
5					HYDRAULIC HOSE - SUIT TILT CYLINDER	1
6					HYDRAULIC HOSE - SUIT TILT CYLINDER	1
7					HYDRAULIC HOSE - SUIT OFFSET CYLINDER	1
8					HYDRAULIC HOSE - SUIT OFFSET CYLINDER	1
9					HYDRAULIC HOSE - SUIT ANGLE CYLINDER	1
10					HYDRAULIC HOSE - SUIT ANGLE CYLINDER	1
11					HYDRAULIC HOSE - SUIT CASTOR CYLINDER	1
12					HYDRAULIC HOSE - SUIT CASTOR CYLINDER	1
13	S02649	S02649	S02649	S02649	HYDRAULIC NIPPLE	8
14	S02251	S02251	S02251	S02251	"R" CLIP	8
15	S02250	S02250	S02250	S02250	RAM PIN	8



OPTIONAL CASTOR WHEEL - GT6, GT7, GT8, GT10			
ITEM No.	PART No.	DESCRIPTION	QTY. OFF
1	S04082	AXLE	1
2	S05080	WHEEL HUB	1
3	S04078	SPACER	2
4	S04084	BEARINGS Cup & Cone	2
5	S05078	SPLIT RIM W/- Studs	1
5A	S05079	SPLIT RIM W/- No Studs	1
6	S05077	SOLID TYRE 400 x 8	1
7	S04052	WASHER	2
8	S04233	WASHER	1
9	S05067	NYLOC NUT	1
10	S02225	WHEEL NUT	5
11	S02237	WHEEL STUDS	5
12	S04075	SOLID WHEEL ASSY. Complete	INC. 1 - 9
13	S05083	WHEEL HUB ASSY. Complete	As Shown
14	S04120	GREASE NIPPLE	1



OPTIONAL CASTOR ASSEMBLY - GT6, GT7, GT8, GT10

ITEM No.	PART No.	DESCRIPTION	QTY. OFF
1	S4125	CASTOR FORK	1
2	S4087	SET CREW	2
3	S4126	LOCK COLLAR	2