

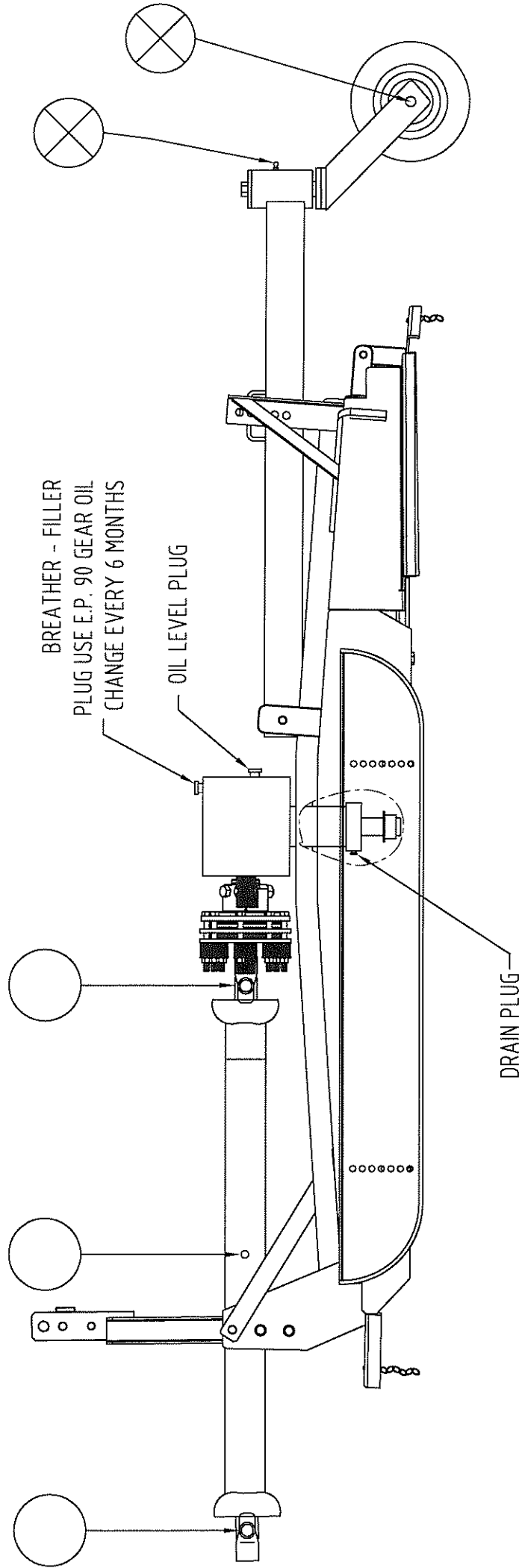
**INSTRUCTION AND PARTS MANUAL  
FOR  
LCT72 / LCT78  
LCT84 / LCT94  
CLEAN DECK SLASHER**



INDEX  
LCT72/LCT78/ LCT84/ LCT94

	PAGE
• CORPORATE PHILOSOPHY	1
• OPERATIONAL SAFETY INSTRUCTIONS	2
• HAZARDS & SAFETY GUIDE	3 - 4
• OPERATING, CARE & MAINTENANCE	5 - 6
• MAINTENANCE SCHEDULE	7
• BODY COMPONENTS ASSEMBLY	8
• T.P.L TOWER & CHAINS	9
• HEAVY DUTY GEAR BOX ASSEMBLY	10
• CLUTCH ASSEMBLY	11
• DRIVESHAFT ASSEMBLY	12
• CUTTING HEAD ASSEMBLY – LCT72 / LCT84	13-13A
• CUTTING HEAD ASSEMBLY – LCT94	14
• TRIANGULAR CUTTING HEAD ASSY – LCT78	15
• WHEEL & CASTOR ASSY 4 STUD 400X8 W/ TWIN LEG FORK	16-16A
• WHEEL & CASTOR ASSY 5 STUD 400X8 W/ TWIN LEG FORK (OPTIONAL ASSEMBLY)	17-17A
• WHEEL & CASTOR ASSY 5 STUD 400X8 W/ SINGLE LEG FORK (OPTIONAL ASSEMBLY)	18-18A
• OWNERS NOTES / WARRANTY CARD	19

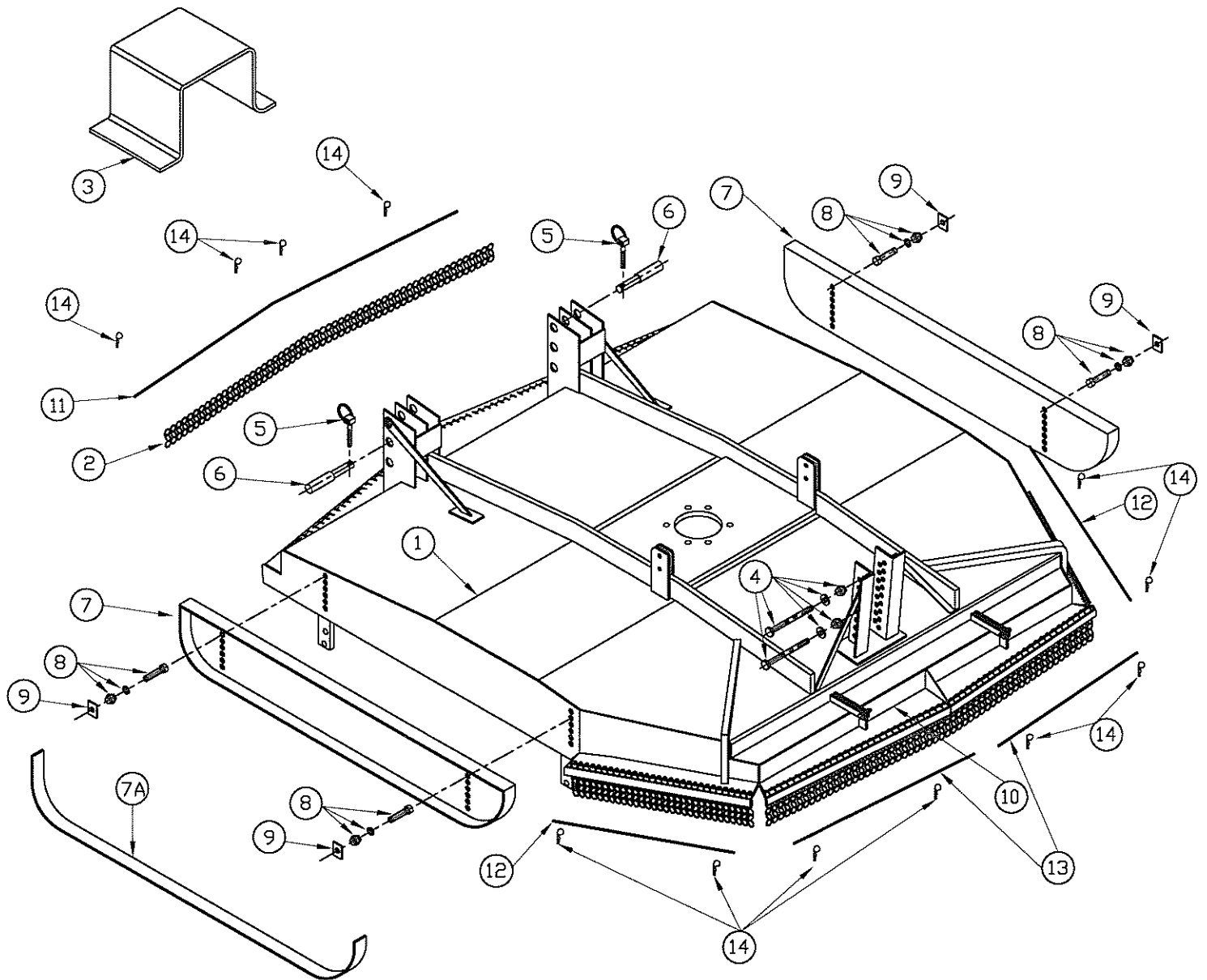
SUPERIOR ROTARY SLASHERS  
 MAINTENANCE SCHEDULE  
 TO SUIT MODELS:  
**LCT72, LCT78, LCT84 & LCT94**



○ GREASE  
 TWICE DAILY

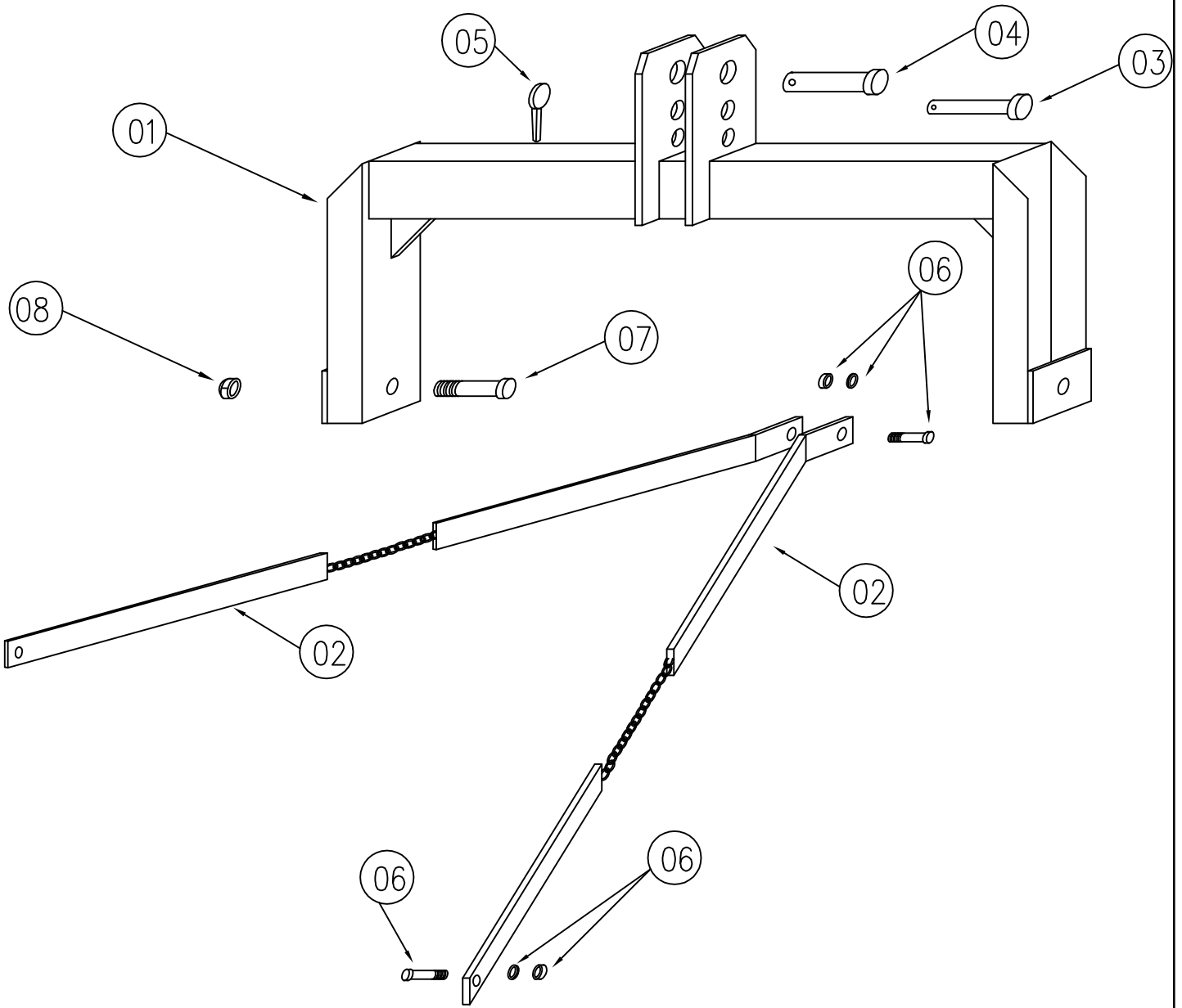
⊗ GREASE  
 DAILY

◐ GREASE  
 ONCE WEEKLY



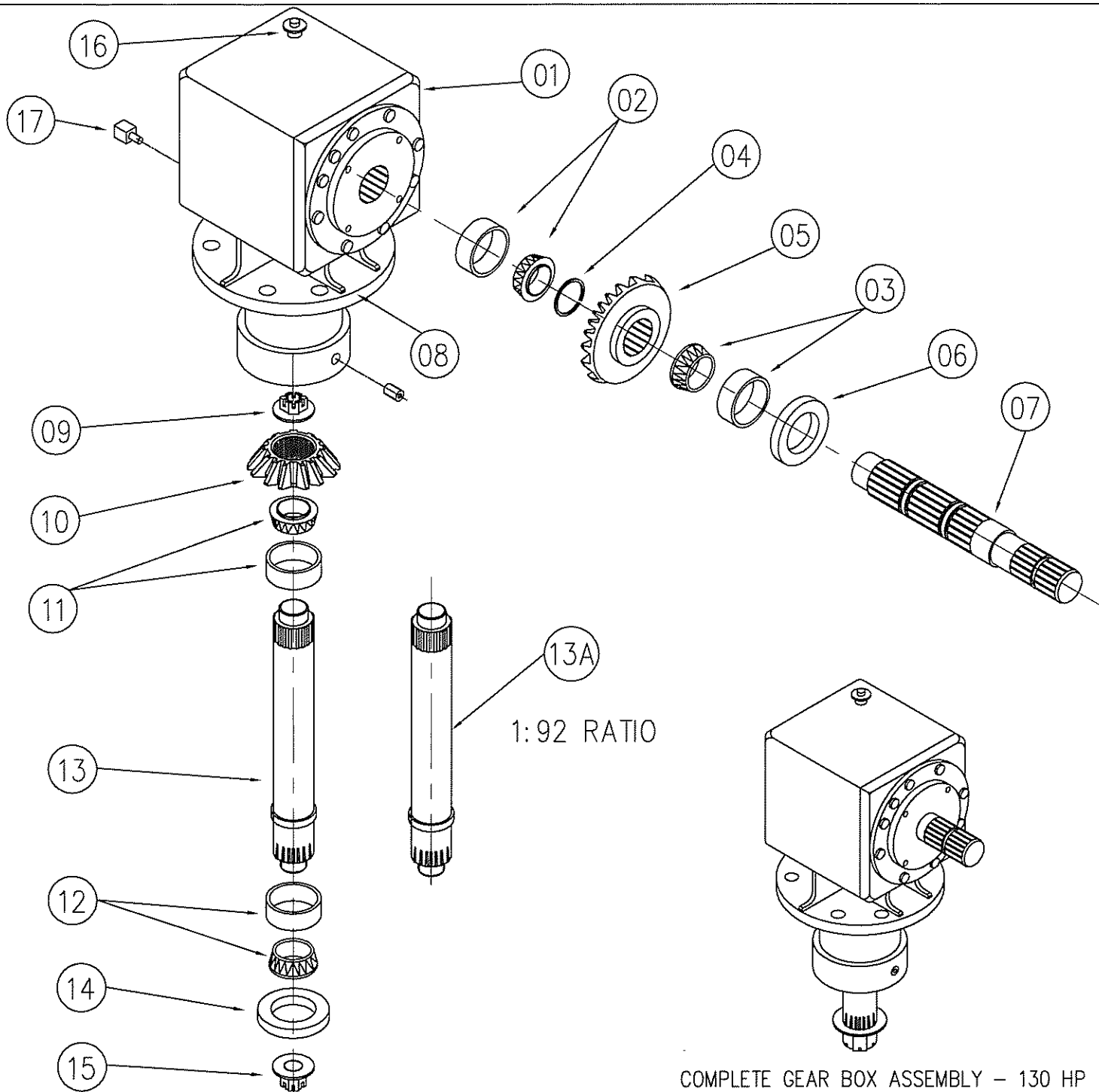
**BODY COMPONENTS - LCT72 /LCT78/LCT84 / LCT94 - CLEAN SKIN**

ITEM NO.	PART NO. LCT72	PART NO. LCT84	PART NO. LCT94	DESCRIPTION	NO. OFF
1	S07307	S07356	S07337	MAIN BODY FRAME	1
1	G00115	G00114	G19905	GALVANISED BODY	1
2	S02642	S02642	S02642	CHAIN LINKS	5 SIDES
3	S08199	S08199	S08199	CLUTCH COVER	1
4	S03544	S03544	S03544	BOLT, NUT & WASHER	3X2
5	S04011	S04011	S04011	LYNCH PIN	2
6	S07008	S07008	S07008	T.P.L PIN	2
7	S07332	S07344	S07339	ADJUSTABLE SKID (SKID RUNNER INC.)	1 SET
7A	S07332-1	S07344-1	S07339-1	SKID RUNNER (SPARE PART ONLY)	1 SET
8	S03539	S03539	S03539	BOLT, NUT & SPRING WASHER	3X4
9	S05639	S05639	S05639	TAB SUITS SKID BOLT	4
10	S07331-1	S07331	S07338	HINGED FLAP	1
11	S07333	S07333	S07340	CHAIN LOCKBAR TYPE -1	1
12	S07334	S07334	S07341	CHAIN LOCK BAR TYPE -2	2
13	S07335	S07335	S07342	CHAIN LOCK BAR TYPE -3	2
14	S02219	S02219	S02219	PIN SUIT LOCK BAR	12
15	C6014	C7005	C8005	FRONT CHAIN KIT	1 SET
16	C6014-1	C7005-1	C8005-1	REAR CHAIN KIT	1 SET



## T.P.L TOWER & CHAINS - LCT72 / LCT78 / LCT84 / LCT94 - CLEAN SKIN

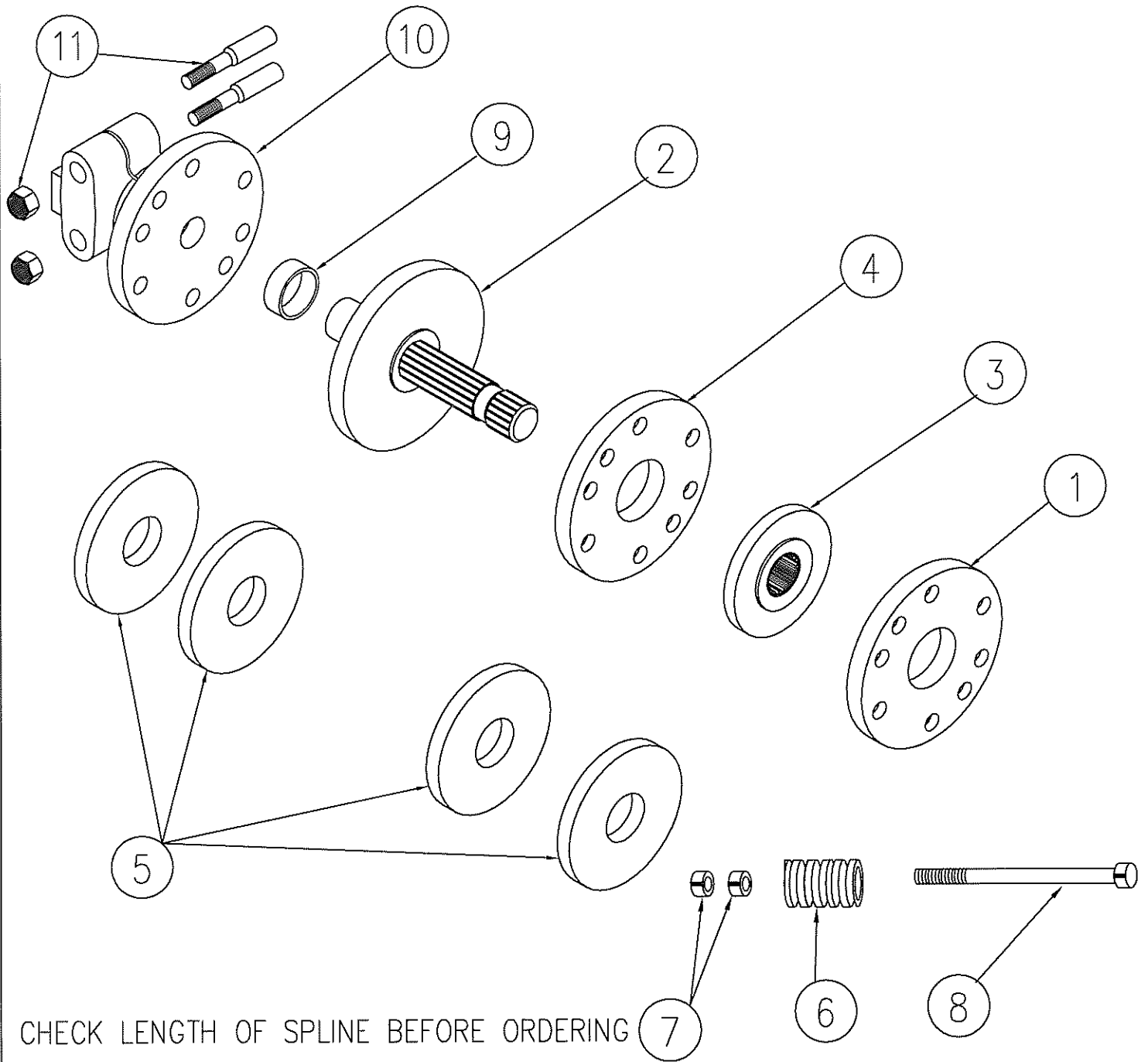
ITEM NO.	PART NO.	DESCRIPTION	NO. OFF
1	S7004	TOWER	1
2	S6005	TOWER CHAINS	2
3	S4132	TOP PIN CAT 2	1
4	S4133	TOP PIN CAT 1	1
5	S4011	LYNCH PIN	1
6	S3536	TOWER CHAIN BOLT, NUT & S/WASHER 5/8	4
7	S3558	TOWER HINGE BOLT	2
8	S5067	NYLOC NUT	2



COMPLETE GEAR BOX ASSEMBLY - 130 HP

HEAVY DUTY GEARBOX LCT72 / LCT78 / LCT84 / LCT94

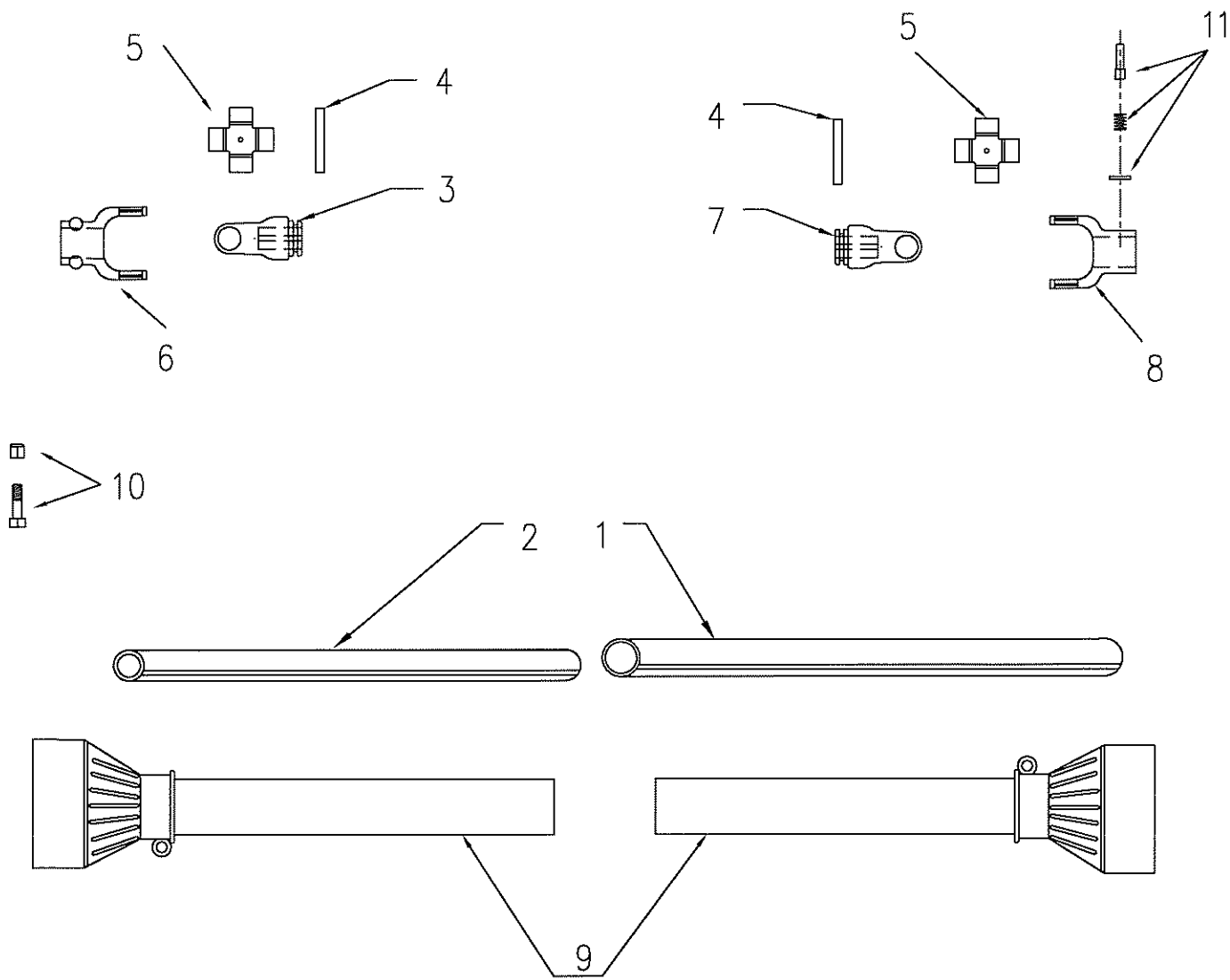
ITEM No.	PART No. LCT72	PART No. LCT78	PART No. LCT84	PART No. LCT94	DESCRIPTION	NO. OFF
1	S07309	NA	NA	NA	GEARBOX COMPLETE B/CO 130HP 1:92 RATIO	1
	NA	S07310	S07310	S07310	GEARBOX COMPLETE...B/CO 130HP 1:46 RATIO	1
	S07327-2	S07327-2	S07327-2	S07327-2	GEARBOX COMPLETE...B/CO 130HP 1:1 RATIO	1
2	S07328	S07328	S07328	S07328	GEARBOX B/CO 130HP REAR INPUT BEARING	1
3	S07321	S07321	S07321	S07321	GEARBOX B/CO 130HP FRONT INPUT BEARING	1
4	S07322	S07322	S07322	S07322	CIRCLIP FOR 130 HP GEAR BOX	1
5	NA	S07315	S07315	S07315	GEARBOX B/CO 130HP INPUT GEAR 19T 1:46	1
	S07326	NA	NA	NA	GEARBOX B/CO 130HP INPUT GEAR T 1:92 RATIO	1
	S07326-1	S07326-1	S07326-1	S07326-1	GEARBOX B/CO 130HP INPUT GEAR T 1:1 RATIO	1
6	S07314	S07314	S07314	S07314	GEARBOX B/CO 130HP INPUT SEAL	1
7	S07311	S07311	S07311	S07311	GEARBOX B/CO 130HP INPUT SHAFT	1
8	S07323	S07323	S07323	S07323	LEVEL / DRAIN PLUG	1
9	S07318	S07318	S07318	S07318	GEARBOX B/CO 130HP TOP OUTPUT NUT	1
10	NA	S07316	S07316	S07316	GEARBOX B/CO 130HP OUTPUT GEAR 13T 1:46	1
	S07327	NA	NA	NA	GEARBOX B/CO 130HP OUTPUT GEAR T 1:92 RATIO	1
	S07327-1	S07327-1	S07327-1	S07327-1	GEARBOX B/CO 130HP OUTPUT GEAR T 1:1 RATIO	1
11	S07329	S07329	S07329	S07329	GEARBOX B/CO 130HP TOP OUTPUT BEARING	1
12	S07320	S07320	S07320	S07320	GEARBOX B/CO 130HP BOTTOM OUTPUT BEARING	1
13	S07312	S07312	S07312	S07312	GEARBOX B/CO 130HP OUTPUT SHAFT	1
13A	S07312-1	S07312-1	S07312-1	S07312-1	GEARBOX 130HP OUTPUT SHAFT FOR 1:92 RATIO	1
14	S07313	S07313	S07313	S07313	GEARBOX B/CO 130HP OUTPUT SEAL	1
15	S07319	S07319	S07319	S07319	GEARBOX B/CO 130HP BOTTOM OUTPUT NUT	1
16	S07324	S07324	S07324	S07324	FILLER / BREATHER PLUG	1
17	S07325	S07325	S07325	S07325	OIL LEVEL PLUG	1



CHECK LENGTH OF SPLINE BEFORE ORDERING

**S2000 Clutch Assy (1 3/4 x 20 Spline Type) -LCT72/ LCT84 / LCT94**

ITEM No.	PART No. LCT72	PART No. LCT84	PART No. LCT94	DESCRIPTION	No. OFF
1	S04026	S04026	S04026	CLUTCH FRONT PLATE	1
2	S06400	S06400	S06400	CLUTCH DRIVE PLATE ( 1 3/4 X 20 SPLINE )	1
3	S06401	S06401	S06401	CLUTCH SLIDING SPACER (1 3/4 X 20 SPLINE )	1
4	S02332	S02332	S02332	CLUTCH SPACER PLATE	1
5	S04027	S04027	S04027	CLUTCH LININGS	4
6	S04100	S04100	S04100	CLUTCH SPRINGS	8
7	S02334	S02334	S02334	CLUTCH BOLTS 5 X 1/2" WHIT	8
8	S02334	S02334	S02334	CLUTCH BOLT NUTS	16
9	S04103	S04103	S04103	CLUTCH BUSH	1
10	S02317	S02317	S02317	CLUTCH BACKPLATE 1 3/4 X 20 SPLINE J/BEN	1
11	S01451	S01451	S01451	COTTER PIN & NUT SUIT BARE-CO CLUTCH (8")	2
12	S06404	S06404	S06404	S2000 CLUTCH COMPLETE (1 3/4" x 20 SPLINE )	1



### DRIVESHAFTS A8 SERIES- LCT72 / LCT78 / LCT84 / LCT94

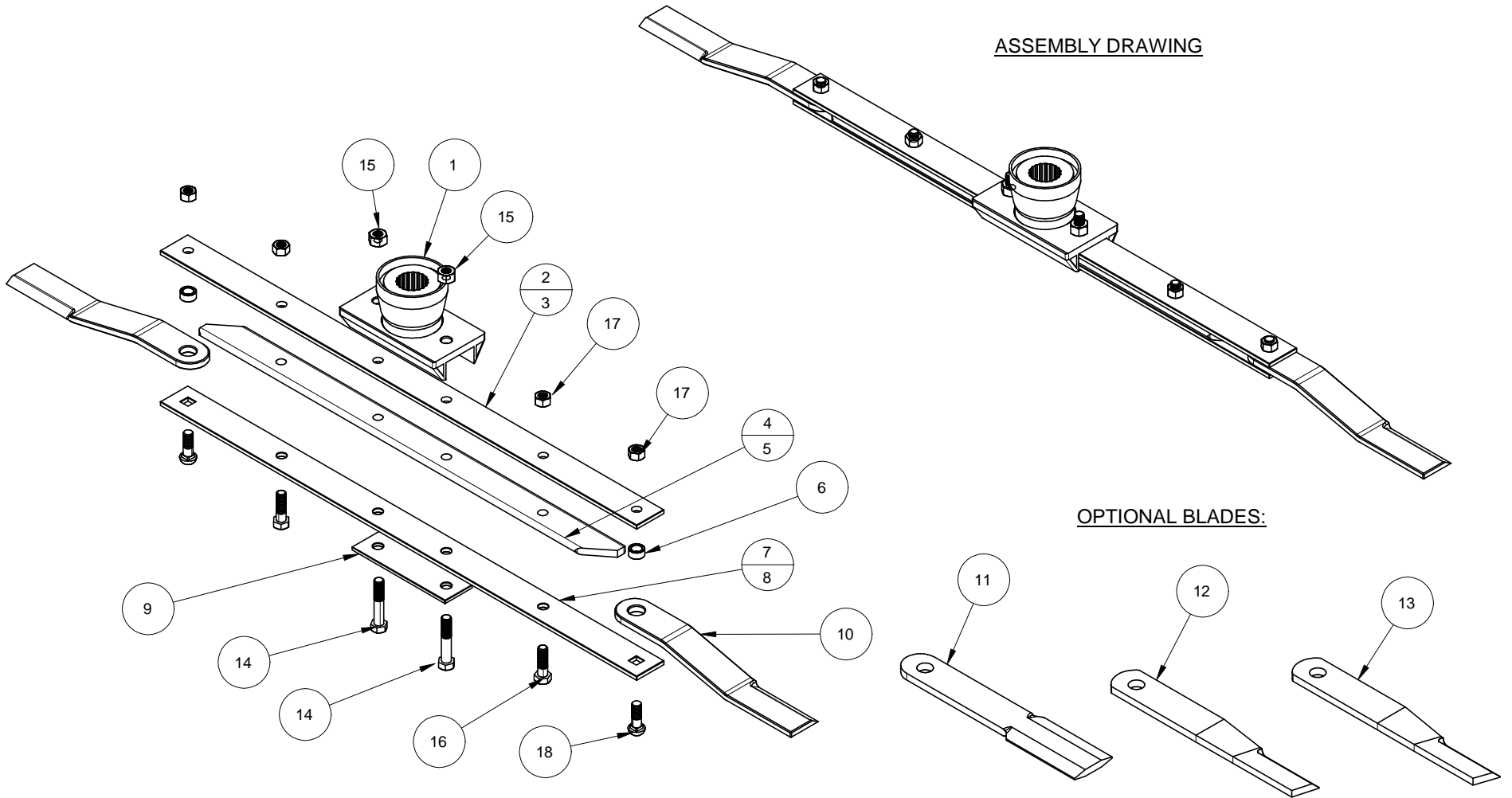
ITEM No.	PART No. LCT72, LCT84 & LCT94	DESCRIPTION	QTY. OFF.
1	S07415	DRIVESHAFT B/CO 8 SERIES DRIVE SHAFT OUTER TUBE	1
2	S07416	DRIVESHAFT B/CO 8 SERIES DRIVE SHAFT INNER TUBE	1
3	S07417	DRIVESHAFT B/CO 8 SERIES DRIVE SHAFT TUBE YOKE (INNER)	1
4	S07418	DRIVESHAFT B/CO 8 SERIES DRIVE SHAFT ROLL PIN	2
5	S07419	DRIVESHAFT B/CO 8 SERIES DRIVE SHAFT UNIVERSAL	2
6	S07420	DRIVESHAFT B/CO 8 SERIES DRIVE SHAFT QR YOKE ( 1 3/8" X 6")	1
7	S07421	DRIVESHAFT B/CO 8 SERIES DRIVE SHAFT TUBE YOKE (OUTER)	1
8	S07422	DRIVESHAFT B/CO 8 SERIES DRIVESHAFT PB YOKE ( 1 3/4 X 20 )	1
9	S07185	DRIVESHAFT COVER ASSY. COMPLETE	1
10	S07425	DRIVESHAFT B/CO 8 SERIES DRIVESHAFT NUT AND BOLT	2
11	S07427	DRIVESHAFT B/CO 8 SERIES DRIVESHAFT YOKE PIN, SPRING, WASHER	1
12	S07222	DRIVESHAFT B/CO 8 SERIES DRIVESHAFT COMPLETE ( 1 3/8" X 1 3/4" )	1



# CUTTING HEAD ASSEMBLY LCT72/ LCT84

PLEASE NOTE:

\* REFER PAGE 13A FOR TABULAR DETAILS OF THE CUTTING HEAD ASSEMBLY.



ASSEMBLY DRAWING

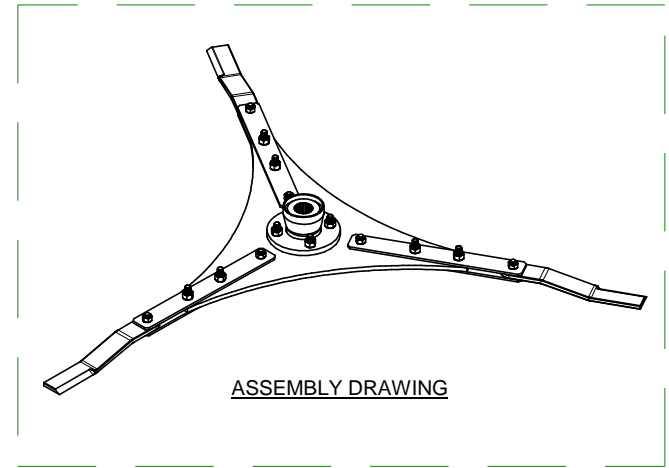
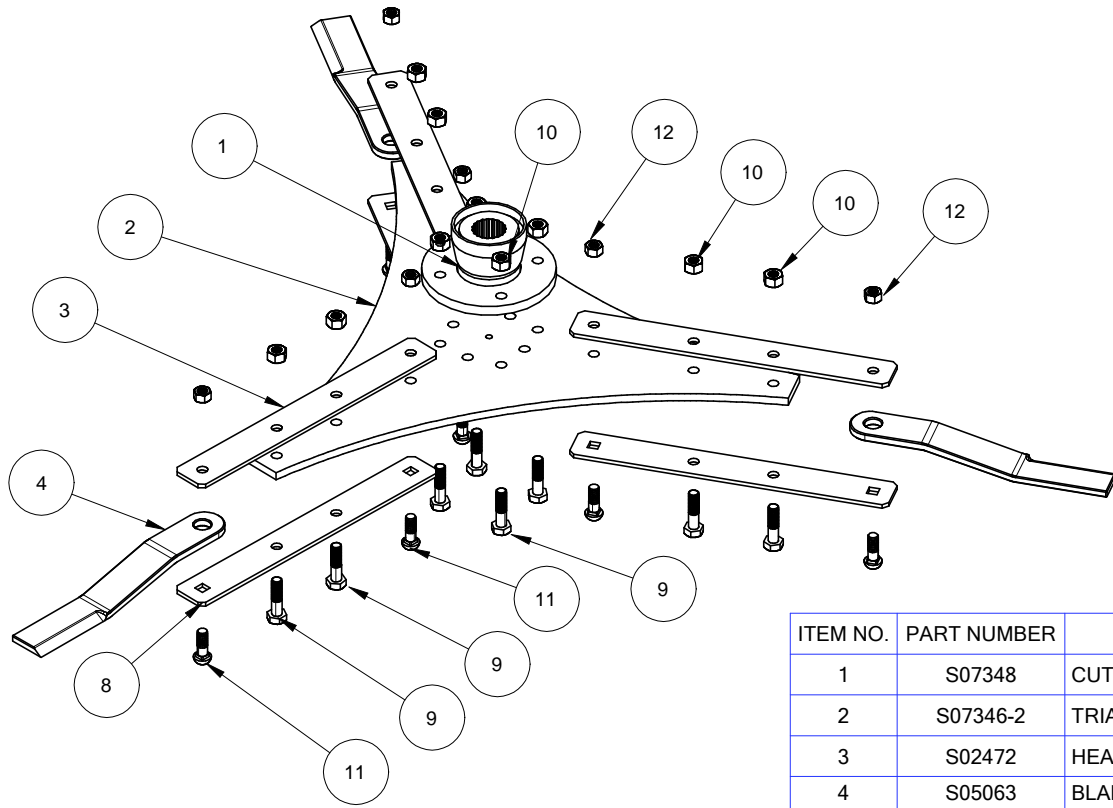
OPTIONAL BLADES:

## CUTTING HEAD ASSEMBLY FOR LCT72/LCT84

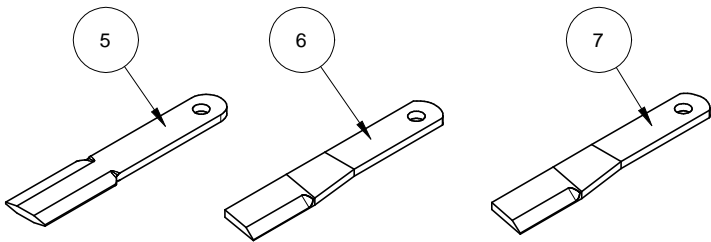
PLEASE NOTE:  
 \* REFER PAGE 13 FOR ASSEMBLY DRAWING DETAILS OF THE CUTTING HEAD ASSEMBLY.

ITEM NO.	PART NUMBER- LCT72	PART NUMBER- LCT84	PART NAME	QTY.OFF
1	S07330	S07330	CUTTING HEAD BOX	1
2	SP05811	N/A	HEAD FLAT WITH ROUND HOLES 10MMX75MMX39" 186MM HOLE CENTRE	1
3	N/A	SP05796	HEAD FLAT WITH ROUND HOLES 10MMX75MMX51" 186 MM HOLE CENTRE	1
4	SP05793	N/A	HEAD FLAT SPACER 16MMX75MMX31"	1
5	N/A	SP05797	HEAD FLAT SPACER 16MMX75MMX43"	1
6	S05069	S05069	BLADE BUSH	2
7	SP05896	N/A	HEAD FLAT WITH SQUARE HOLES 10MMX75MMX39"	1
8	N/A	SP05796-1	HEAD FLAT WITH SQUARE HOLES 10MMX75MMX51"	1
9	SP05749	SP05749	PAGE CUTTING HEAD RETAINER PLATE	1
10	S05063	S05063	BLADE STEPPED STEPPED 1 1/2" (STD)	2
11	S05062	S05062	BLADE STRAIGHT (20"X 3"X 5/8") (OPTIONAL)	2
12	S05064	S05064	BLADE SUCTION LIFT (TWISTED) (OPTIONAL)	2
13	S05061	S05061	BLADE SUCTION LIFT (SELF SHARPENING) (OPTIONAL)	2
14	S05066	S05066	HEX BOLT 3/4" UNF X 4" LONG	2
15	S04067	S04067	HEX NUT 3/4" UNF	2
16	S04055	S04055	HEX BOLT 3/4" UNC X 2 1/2" LONG	2
17	S05067	S05067	HEX NUT 3/4" UNC	4
18	S02115	S02115	DOME HEAD BOLT 3/4"UNC	2
19	S07336	S07349	CUTTING HEAD ASSEMBLY COMPLETE (EXCLUDING ITEM NO. 1)	1

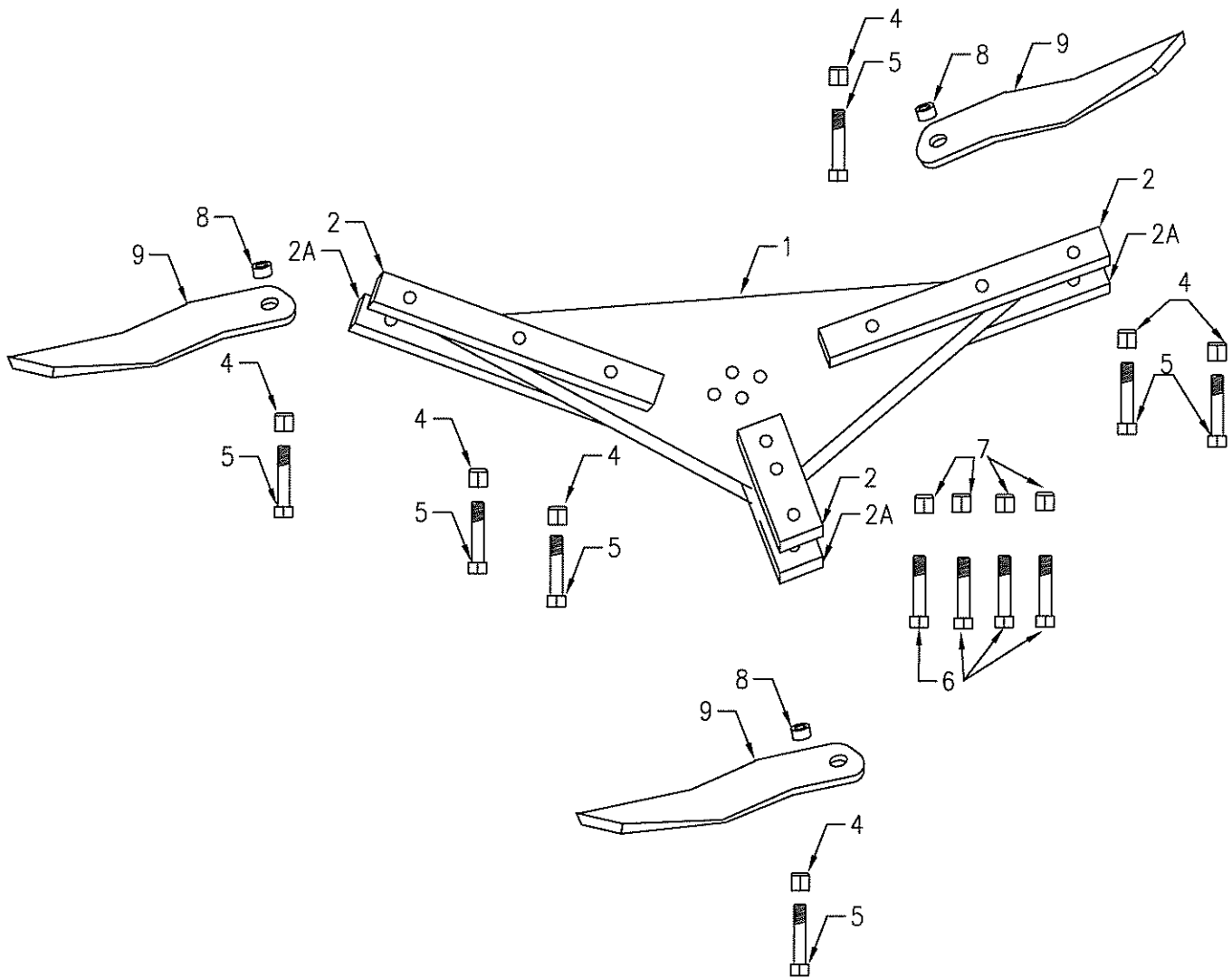
## CUTTING HEAD ASSEMBLY LCT94



### OPTIONAL BLADES:



ITEM NO.	PART NUMBER	PART NAME	QTY.OFF
1	S07348	CUTTING HEAD ADAPTOR	1
2	S07346-2	TRIANGULAR CUTTING HEAD PLATE FOR LCT 94 & LXCT8	1
3	S02472	HEAD FLAT WITH ROUND HOLES	3
4	S05063	BLADE STEPPED (1 1/2" STD)	3
5	S05062	BLADE STRAIGHT (20" X 3" X 5/8") (OPTIONAL)	3
6	S05064	BLADE SUCTION LIFT (TWISTED) (OPTIONAL)	3
7	S05061	BLADE SUCTION LIFT (SELF SHARPENING)(OPTIONAL)	3
8	S02471	HEAD FLAT WITH SQUARE HOLES	3
9	S03392	RETAINING BOLT 3/4" UNF X 3" LONG	10
10	S04067	NYLOC NUT 3/4" UNF SUIT RETAINING BOLT	10
11	S02115	DOME HEAD BOLT 3/4" UNC	6
12	S05067	NYLOC NUT 3/4" UNC SUIT DOME HEAD BOLT	6
13	S07347	CUTTING HEAD ASSEMBLY COMPLETE (EXCLUDING ITEM NO. 1)	1



## TRIANGULAR CUTTING HEAD ASSEMBLY CENTRE -LCT78 (6'6")

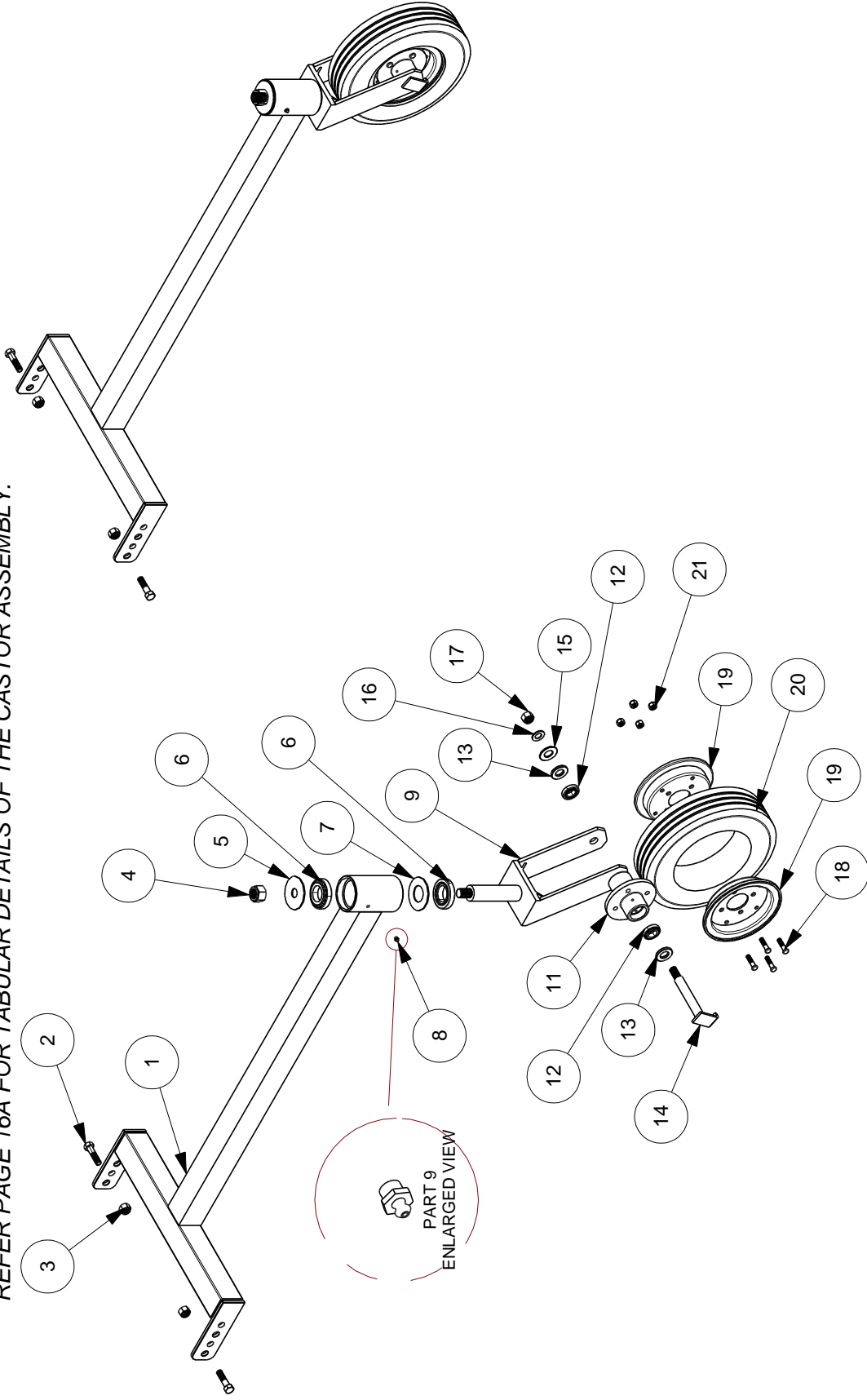
( 3 Blade Per Head )

ITEM	PART No	DESCRIPTION	QTY. OFF
1	S2734	TRIANGLE PLATE Suit Headflats 8MM	2
2	S02468	HEADFLAT Rnd Hole	3
2A	S02469	HEADFLAT Square Hole	3
3	S2115	BOLT Dome Head	3
4	S5067	NYLOC NUT 3/4" UNC	9
5	S5068	BOLT Hex Head 3/4"UNC	9
6	S03390	BOLT Hex Head 2 1/2" X 3/4" UNF	4
7	S04067	NYLOC NUT 3/4" UNF	4
8	S05069	BLADE BUSH 16MM	3
9	S05061-1	BLADE S/L SS LH ( Anti - Clock ) OPTIONAL	3
9	S05063-1	BLADE 1/2" STEP LH STANDARD	3

**CASTOR ASSEMBLY BEARING TYPE WITH TWIN LEG FORK AND 4 STUD 400X8 WHEEL ASSEMBLY**  
**FOR LCT72/LCT78/ LCT84/ LCT94**

PLEASE NOTE:

\* REFER PAGE 16A FOR TABULAR DETAILS OF THE CASTOR ASSEMBLY.



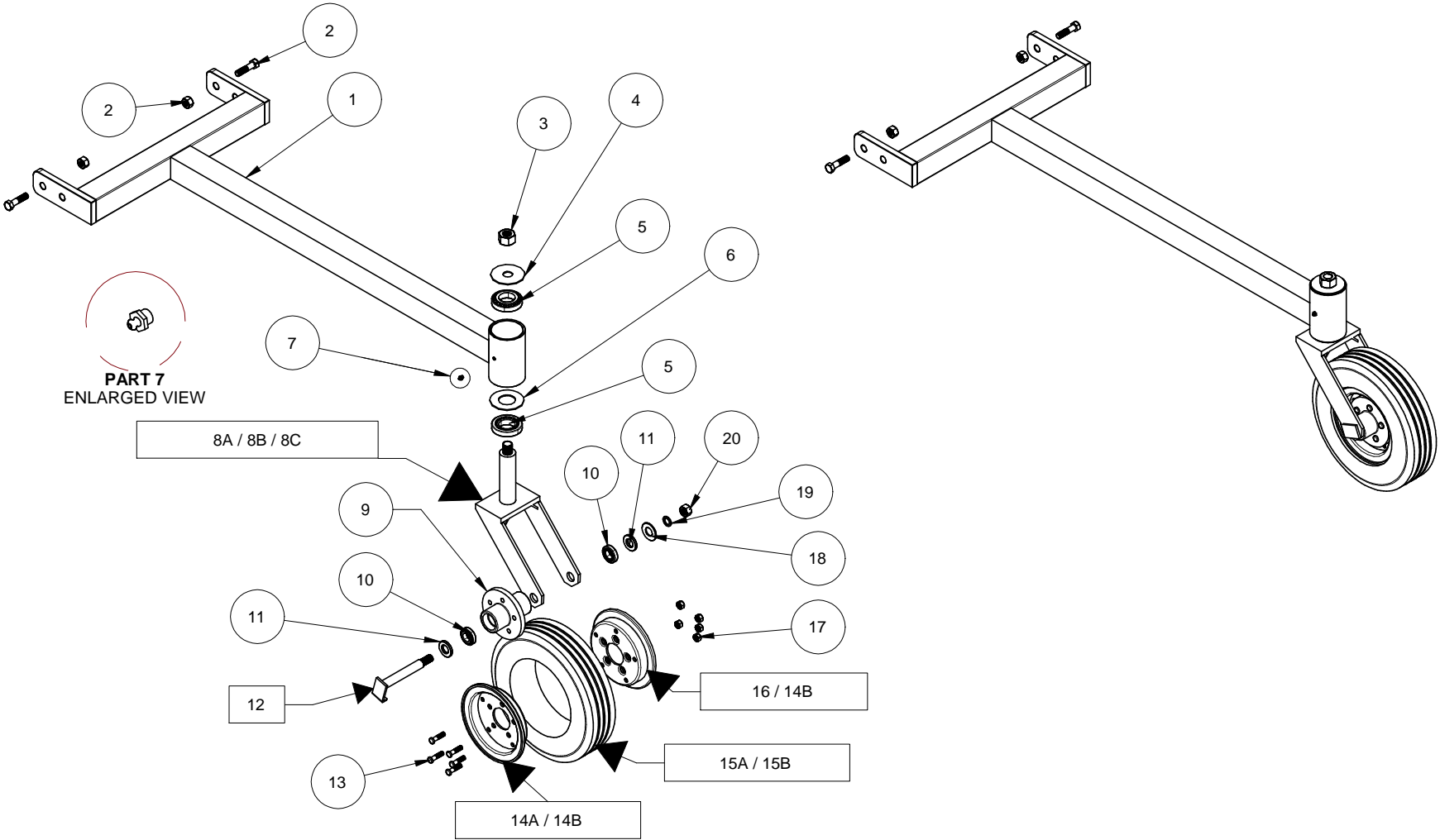
**CASTOR ASSEMBLY BEARING TYPE WITH TWIN LEG FORK AND 4 STUD 400X8 WHEEL ASSEMBLY**  
**FOR LCT72/ LCT78/ LCT84/ LCT94**

PLEASE NOTE:  
 \* REFER PAGE 16 FOR ASSEMBLY DETAILS OF THE CASTOR ASSEMBLY.

Item Number	PART #	PART NAME	QTY. OFF
1	S07345	CASTOR MAIN BEAM TYPE 5 SUIT FOR LCT72 TO LCT94	1
2	S03539	HEX BOLT_5/8" UNC X 2 1/2" LONG	2
3	S01033	NYLOC NUT 5/8"UNC	2
4	S01038	HEX NUT_1" UNF	1
5	S08159	WASHER OD 3 3/4" ID X 1" THICK	1
6	S04646	TAPER ROLLER BEARING_30209 SERIES	2
7	S08158	WASHER OD 3 3/4" ID	1
8	S04085	GREASE NIPPLE	1
9	S04092-2	WHEEL FORK TWIN LEG 400 X 8 DIA 1 3/4" SHAFT	1
10	S04092	WHEEL FORK TWIN LEG 400X8 DIA 1 1/2" SHAFT	
11	S07251	HUB 4 STUD SUPERIOR	1
12	S04084	S04084_SINGLE TPR BRG_L 44600-L 44610	2
13	S04078	WASHER 1" X 1/4" THICK	2
14	S04082	WHEEL AXLE 8" DIA X 1" THREAD	1
15	S04227	FLAT LIGHT WASHER 1"	1
16	S04226	WASHER 3/4" X 3MM THICK	1
17	S05067	HEX NUT 3/4" UNC	1
18	S02237	WHEEL HUB STUD_7/16" UNF 1 1/2" LONG	4
19	S07254	SPLIT RIM 400X8_4 STUD	2
20	S07255	SOLID TYRE_400X8	1
21	S02225	WHEEL NUT_7/16" UNF	4
22	S07247	WHEEL HUB ASSEMBLY COMPLETE (INCLUDE PARTS FROM SL.NO. 9 TO 13 AND FROM 16 TO	1
23	S07253	WHEEL ASSEMBLY COMPLETE (INCLUDE PARTS FROM SL.NO.9 TO 19)	1

**CASTOR ASSEMBLY BEARING TYPE WITH TWIN LEG FORK**  
**5 STUD 400X8 WHEEL ASSEMBLY FOR LCT72/ LCT78/ LCT84/ LCT94**  
**5STUD 520X10 WHEEL ASSEMBLY FOR LCT94 ONLY**  
**(OPTIONAL ASSEMBLIES)**

*PLEASE NOTE:*  
*\* REFER PAGE 17A FOR TABULAR DETAILS OF THE CASTOR ASSEMBLY*



**CASTOR ASSEMBLY BEARING TYPE WITH TWIN LEG FORK**

**5 STUD 400X8 WHEEL ASSEMBLY FOR LCT72/ LCT78/ LCT84/ LCT94 / 5STUD 520X10 WHEEL ASSEMBLY FOR LCT94 ONLY  
(OPTIONAL ASSEMBLIES)**

PLEASE NOTE:

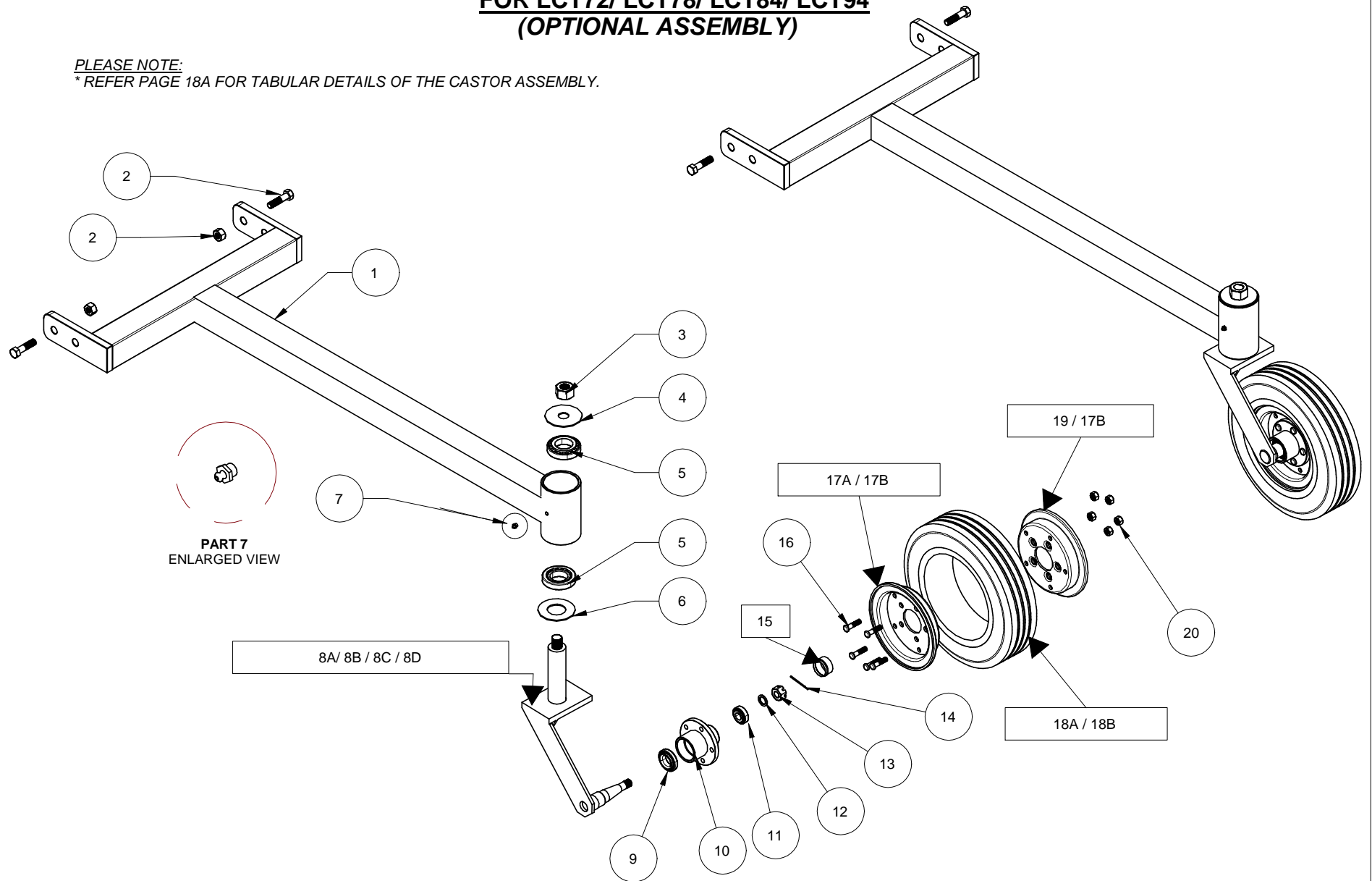
\* REFER PAGE 17 FOR ASSEMBLY DETAILS DETAILS OF THE CASTOR ASSEMBLY

SL.NO.	PART NUMBER	PART NAME	QTY. OFF
1	S07305	CASTOR ASSY RHS_3X3X26INCH	1
2	S03539	HEX BOLT_5/8" UNC X 2 1/2" LONG	2
3	S01038	HEX NUT_1"UNF	1
4	S08159	WASHER OD 3 3/4" X ID 1"	1
5	S04646	TAPER ROLLER BEARING_30209 SERIES	2
6	S08158	WASHER OD 3 3/4" X ID 1 7/8"	1
7	S04085	GREASE NIPPLE	1
8A	S04092-2	WHEEL FORK TWIN LEG 400 X 8 1 3/4" SHAFT	1
8B	S04092	WHEEL FORK TWIN LEG 400X8 DIA 1 1/2" SHAFT (USED ON MODELS BEFORE JAN'09)	1
8C	S08156	WHEEL FORK TWIN LEG 520X10 1 3/4" SHAFT (OPTIONAL)	1
9	S05080	HUB 5 STUD SUPERIOR	1
10	S04084	SINGLE TPR BRG_L 44600-L 44610	2
11	S04078	WASHER 1" X 1/4"THICK	2
12	S04082	WHEEL AXLE 8" DIA X 1" THREAD	1
13	S02237	WHEEL HUB STUD_7/16" UNF 1 1/2" LONG	5
14A	S05078	SPLIT RIM PLAIN 400X8_5 STUD	1
14B	S04269	SPLIT RIM 520X10 MONOFILL 5 STUD (OPTIONAL)	2
15A	S05077	SOLID TYRE_400X8	1
15B	S04269-1	MONOFILL CASTOR WHEELS 520X10 (OPTIONAL)	1
16	S05079	SPLIT RIM EMBOSSED 400X8_5 STUD	1
17	S02225	HEX NUT_7/16" UNF	5
18	S04227	FLAT LIGHT WASHER 1"	1
19	S04226	WASHER 3/4" X 3MM THICK	1
20	S05067	HEX NUT 3/4" UNC	1
21	S05083	WHEEL HUB ASSEMBLY COMPLETE (INCLUDE PARTS FROM SL.NO. 9 TO 13 AND FROM 17 TO 20)	1
22	S04075	WHEEL ASSEMBLY COMPLETE WITH 400X8 WHEEL AND RIMS ( INCLUDES PARTS FROM SL.NO 9 TO 20)	1
22	S05084	WHEEL ASSEMBLY COMPLETE WITH 520X10 WHEELS AND RIMS (INCLUDES PARTS FROM SL.NO 9 TO 20) (OPTIONAL)	1



# CASTOR ASSEMBLY BEARING TYPE WITH SINGLE LEG FORK AND 5 STUD 400X8 WHEEL ASSEMBLY FOR LCT72/ LCT78/ LCT84/ LCT94 (OPTIONAL ASSEMBLY)

PLEASE NOTE:  
 \* REFER PAGE 18A FOR TABULAR DETAILS OF THE CASTOR ASSEMBLY.



**CASTOR ASSEMBLY BEARING TYPE WITH SINGLE LEG FORK  
5 STUD 400X8 WHEEL ASSEMBLY FOR LCT72/ LCT78/ LCT84/ LCT94  
5 STUD 520X10 WHEEL ASSEMBLY FOR LCT94 ONLY  
(OPTIONAL ASSEMBLIES)**

PLEASE NOTE:  
\* REFER PAGE 18 FOR ASSEMBLY DETAILS OF THE CASTOR ASSEMBLY.

SL.NO.	PART NUMBER	PART NAME	QTY.	OFF
1	S07345	CASTOR MAIN BEAM TYPE 5 SUIT FOR LCT72 TO LCT94	1	
2	S03539	HEX BOLT .58" UNC X 2 1/2" LONG	2	
3	S01038	HEX NUT .1 UNF	1	
4	S08159	WASHER OD 3 3/4" & ID 1"	1	
5	S04646	TAPER ROLLER BEARING_30209 SERIES	2	
6	S08158	WASHER OD 3 3/4" & ID 1 7/8"	1	
7	S04085	GREASE NIPPLE	1	
8A	S04092-1	FORK SINGLE LEG 400 X 8 1 3/4" SHAFT	1	
8B	S04116	WHEEL FORK SINGLE SINGLE 400X8 1 1/2" SHAFT (FOR MODELS BEFORE JAN'09)	1	
8C	S04117-1	WHEEL FORK SINGLE LEG 520X10 1 3/4" SHAFT DIA WITH 1" THREAD (OPTIONAL FOR LCT94)	1	
8D	S04117	WHEEL FORK SINGLE LEG 520X10 1 1/2" SHAFT DIA AND 1" THREAD (OPTIONAL FOR LCT94, FOR MODELS BEFORE JAN'09)	1	
9	S02223	BEARING TPR ROL_LM 67048-LM 67000	1	
10	S02224	HUB 5 STUD HOLDEN	1	
11	S02229	BEARING TPR_LM 11949-10	1	
12	S04226	WASHER 3/4"-3mm THICK	1	
13	S02231	HEX SLTD NUT_3/4" UNF	1	
14	S02233	SPLIT PIN	1	
15	S02232	DUST CAP	1	
16	S02237	WHEEL HUB STUD_7/16" UNF 1 1/2" LONG	5	
17A	S05078	SPLIT RIM PLAIN 400X8_5 STUD	1	
17B	S04269	SPLIT RIM 520X10 MONOFILL 5 STUD (OPTIONAL FOR LCT94)	2	
18A	S05077	SOLID RUBBER TYRE_400X8	1	
18B	S04269	MONOFILL CASTOR WHEELS 520X10 (OPTIONAL FOR LCT94)	1	
19	S05079	SPLIT RIM EMBOSSED 400X8_5 STUD	1	
20	S02225	HEX NUT_7/16" UNF	5	