

INSTRUCTION MANUAL AND PARTS LIST FOR MODELS

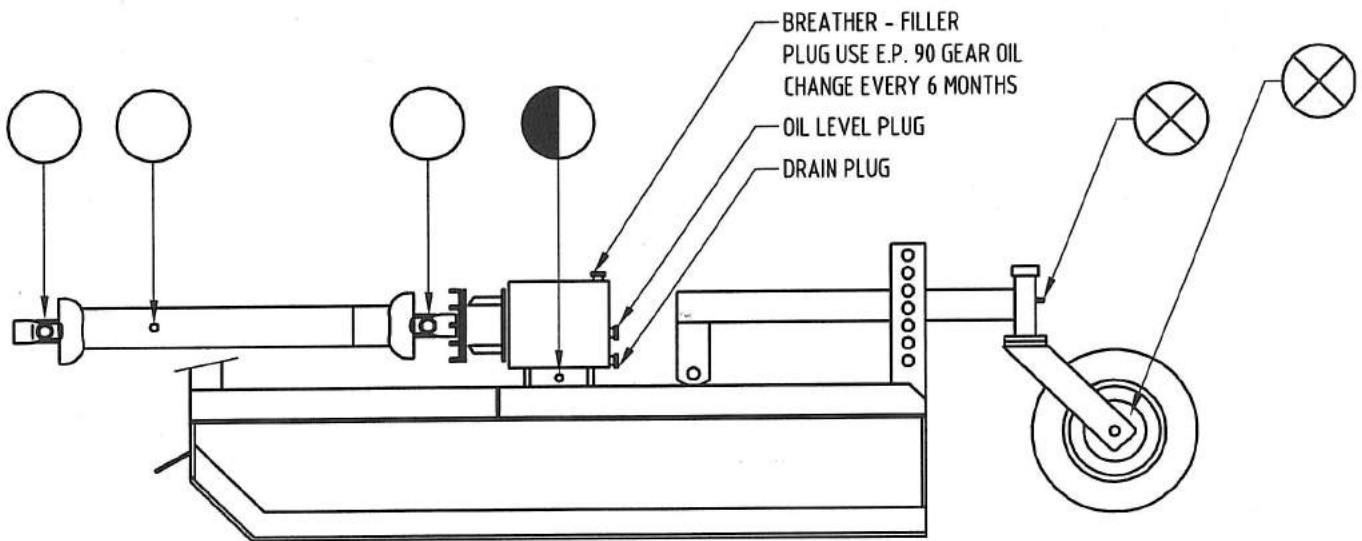
LX10, TX10, LX12, TX12



INDEX

| | PAGE |
|---|---------|
| CORPORATE PHILOSOPHY | 1 |
| OPERATIONAL SAFETY INSTRUCTIONS | 2 - 4 |
| OPERATING INSTRUCTIONS | 5 - 6 |
| MAINTENANCE SCHEDULE | 7 |
| MAIN BODY LX10, LX12 - TX10, TX12 | 8 - 9 |
| TOWER - LX10, LX12 | 10 |
| DRAWBAR - TX10, TX12 | 11 |
| REAR CASTOR ASSEMBLY - LX10, LX12 | 12-12A |
| WHEELS & HUBS - LX10, LX12 | 13 |
| WHEELS & HUBS (Alloy 10" Monofilled) - LX10, LX12 | 13A |
| WHEEL OPTIONS - 10", 14", 16" | 13B |
| HYDRAULIC LIFT & RAM ASSEMBLY - TX10, TX12 | 14 |
| S2000 CLUTCH ASSEMBLY - NEW STYLE | 15 |
| REAR AXLE ASSEMBLY - TX10, TX12 | 16 |
| GEARBOX CONNECTORS W/SCHD - LX12, TX12 | 17 |
| GEARBOX CONNECTORS & COUPLING ASSY - LX10, TX10 | 18-18A |
| GEARBOX CONNECTORS JAYBEN 8AG - LX10, TX10 | 19 |
| OPTIONAL FLEXIBLE COUPLING | 20 |
| CENTRE GEARBOX, SIDE GEARBOX | 21 - 22 |
| 12', 15', 18', 20 COTTON SHREDDER BLADE LAYOUT | 23 |
| CUTTING HEAD ASSEMBLY LX10, TX10 | 24 |
| CUTTING HEAD ASSEMBLY LX12, TX12 | 24A |
| DRIVESHAFT A7 SERIES - LX10, LX12 | 25 |
| DRIVESHAFT 2500 W/SCHD - TX10, TX12 | 26 |
| DRIVESHAFT JAYBEN (OLD STYLE) - TX10, TX12 | 27 |
| WARRANTY FORM / OWNER'S NOTES | 28 |

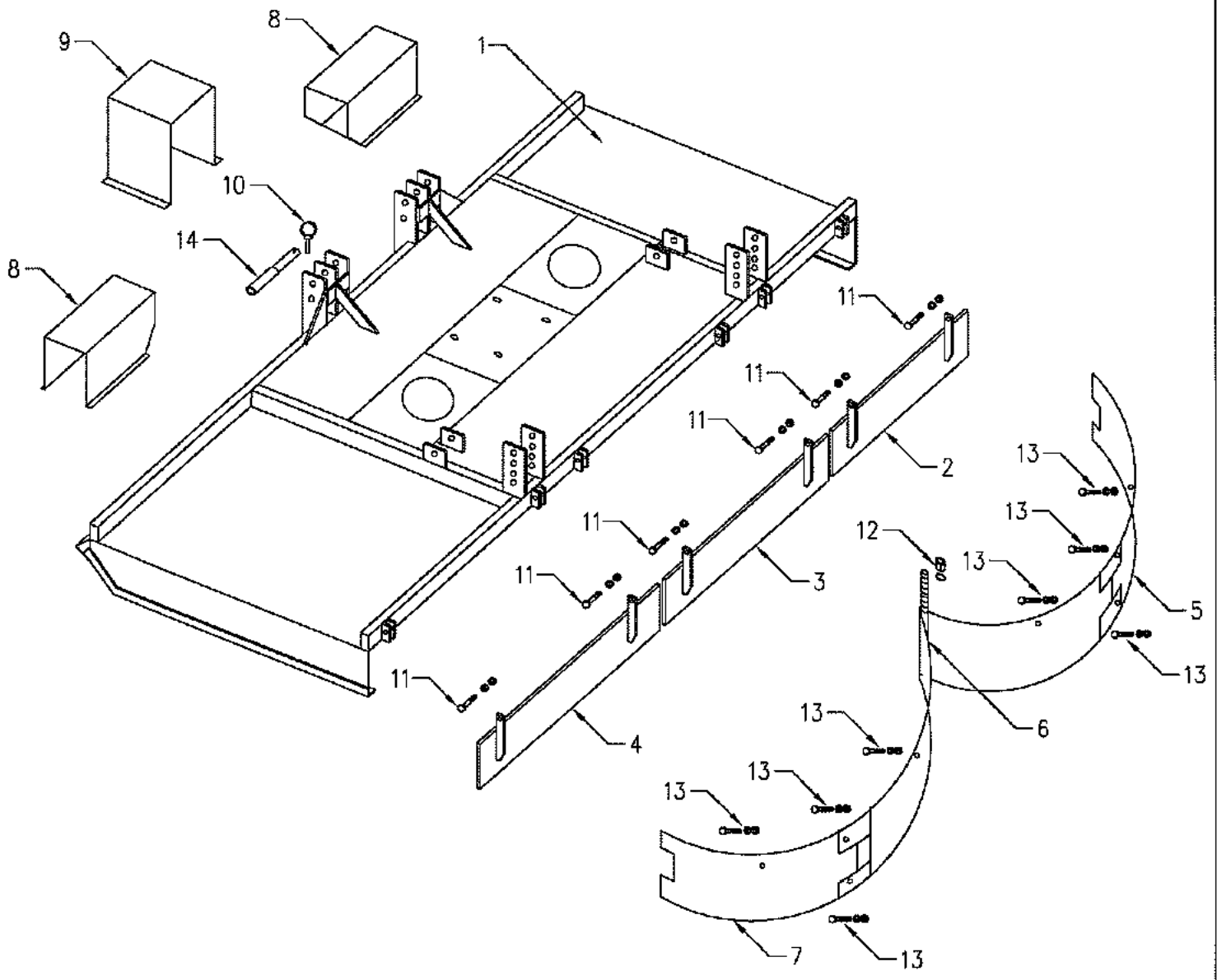
SUPERIOR ROTARY SLASHERS MAINTENANCE SCHEDULE TO SUIT MODELS: LX10, TX10, LX12, TX12.



○ GREASE
TWICE DAILY

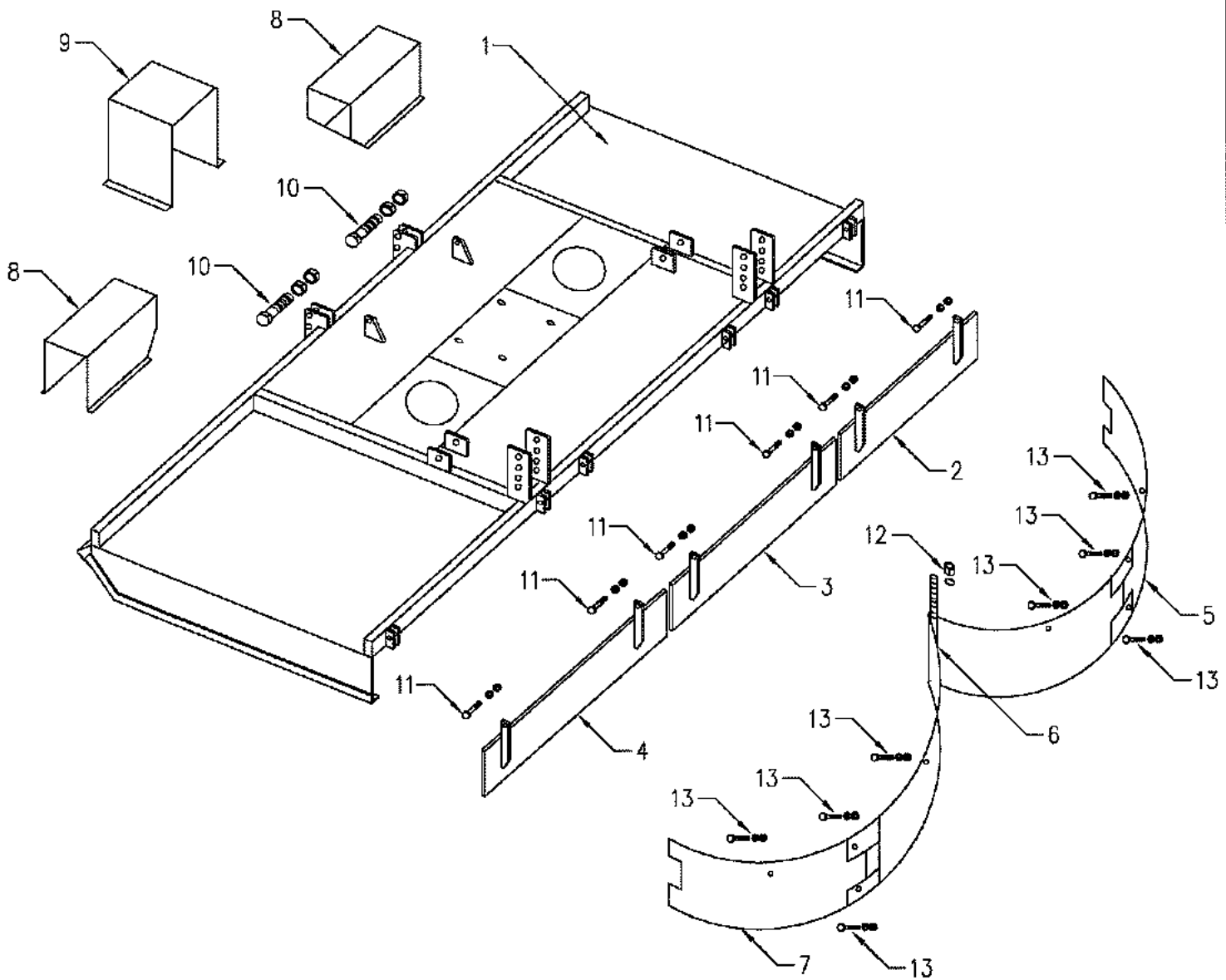
⊗ GREASE
DAILY

◐ GREASE
ONCE WEEKLY



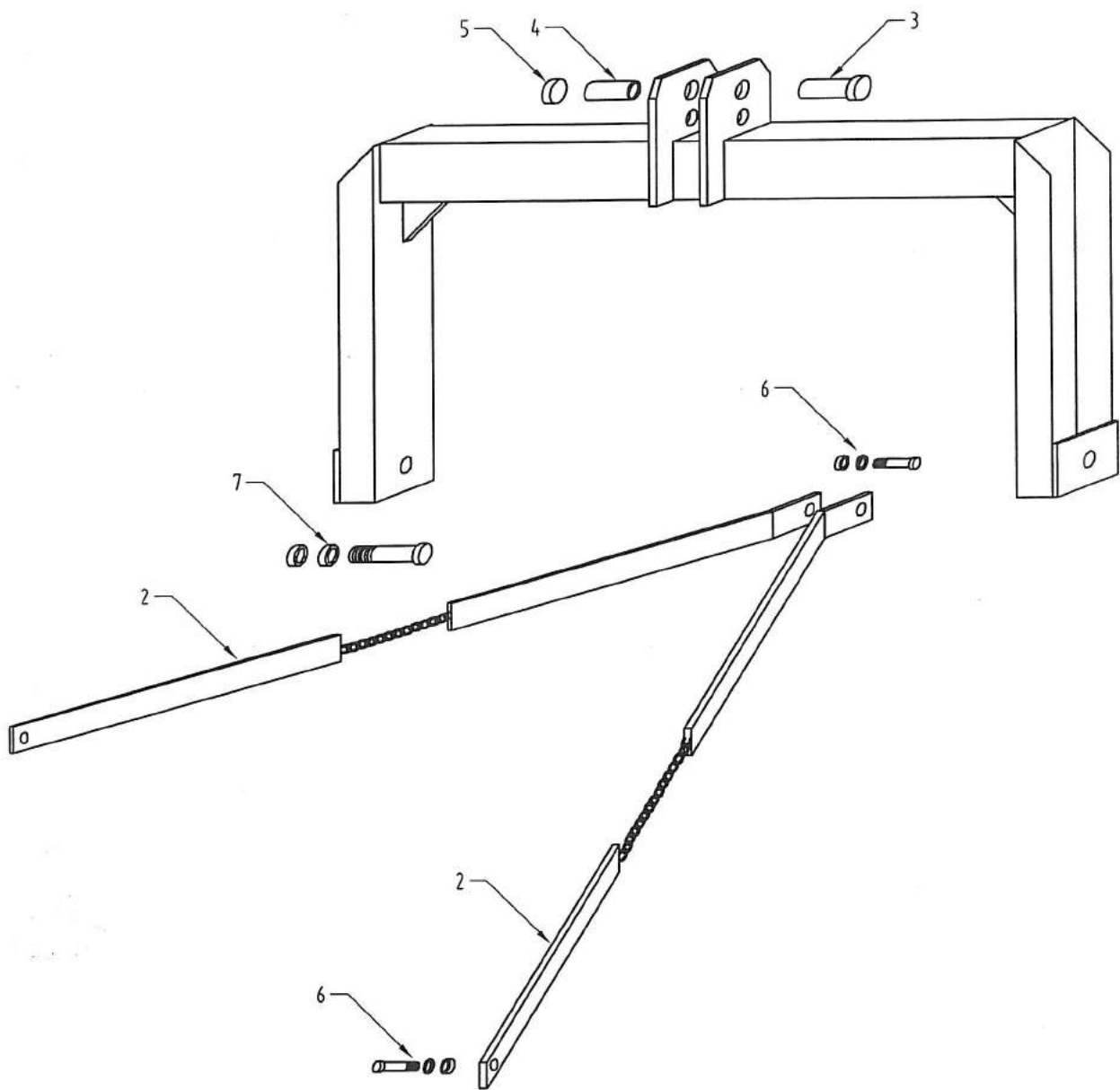
LX10, LX12 - MAIN BODY

| ITEM No. | PART No. LX10 | PART No. LX12 | DESCRIPTION | No. OFF |
|----------|------------------|------------------|--|---------|
| 1 | S02101 | S02370 | MAIN BODY (SMOOTH TOP) | 1 |
| 2 | S02102 | S02302 | BACK FLAP R.H. | 1 |
| 3 | S02103 | S02303 | BACK FLAP CENTRE | 1 |
| 4 | S02104 | S02304 | BACK FLAP L.H. | 1 |
| 5 | S02105 | S02305 | MULCH PLATE R.H. | 1 |
| 6 | S02106 | S02306 | MULCH PLATE CENTRE | 1 |
| 7 | S02107 | S02307 | MULCH PLATE L.H. | 1 |
| 8 | S02108 | S02308 | CLUTCH COVER SIDE R.H & L.H. | 2 |
| 9 | S02109 | S02309 | | |
| 10 | S04011 | S04011 | CLUTCH COVER FRONT | 1 |
| 11 | S03539 | S03578 | LYNCH PIN | 2 |
| 12 | S02110 | S02110 | BOLT & NUTS BACK FLAP HINGE | 6 |
| 13 | S03480 | S03480 | 3/4" NUT & SPRING WASHER ASSY. | 1 |
| 14 | S07008 | S07008 | 3/8" X 1 1/2" BOLT,NUT & SPRING WASHER | 8 |
| | | | T.P.L LOWER LINK PIN CAT 1 & 2 | 2 |



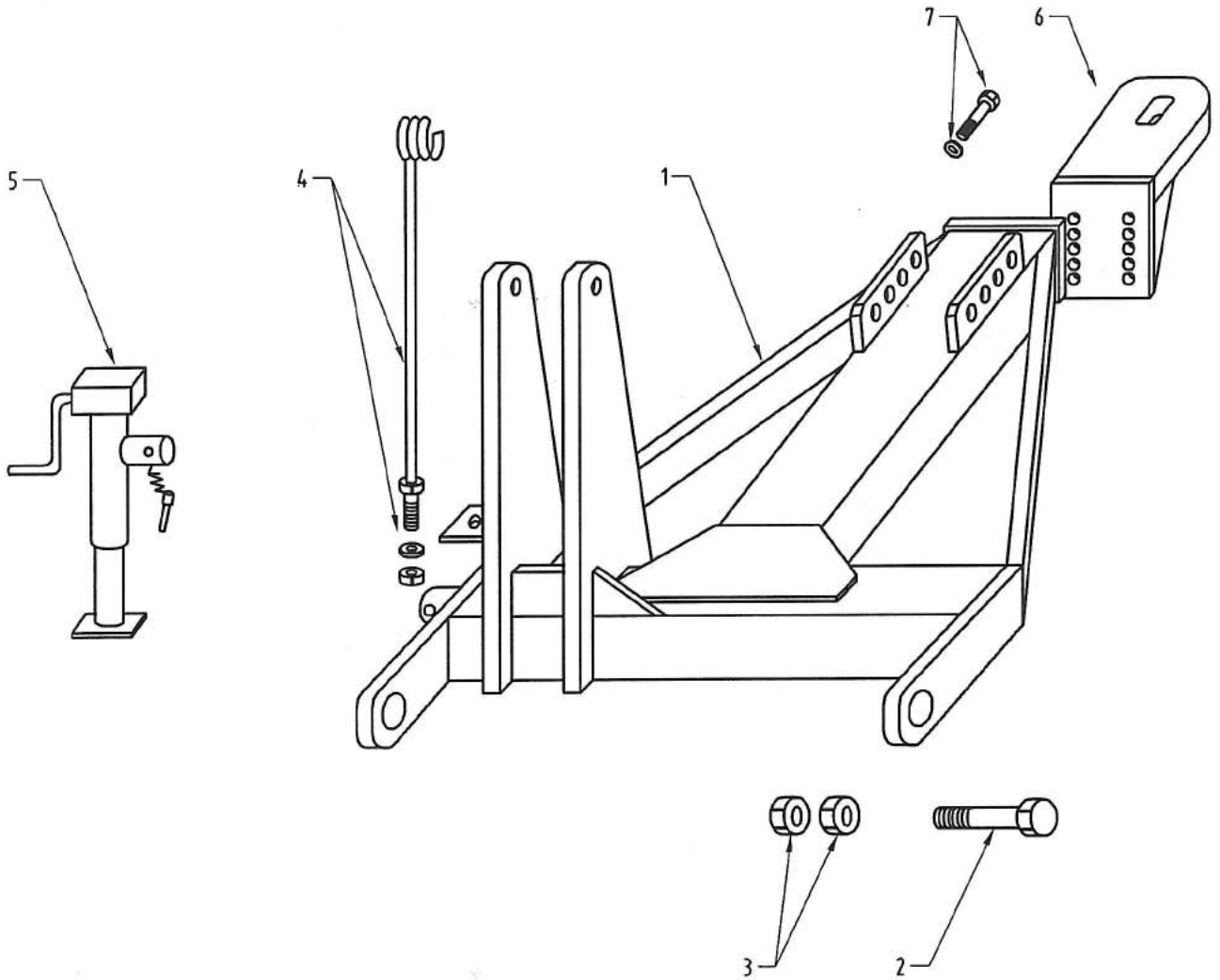
TX10, TX12 - MAIN BODY

| ITEM No. | PART No. TX10 | PART No. TX12 | DESCRIPTION | No. OFF |
|----------|------------------|------------------|--------------------------------------|---------|
| 1 | S02201 | S02301 | MAIN BODY (SMOOTH TOP) | 1 |
| 2 | S02202 | S02302 | BACK FLAP R.H. | 1 |
| 3 | S02203 | S02303 | BACK FLAP CENTRE | 1 |
| 4 | S02204 | S02304 | BACK FLAP L.H. | 1 |
| 5 | S02205 | S02305 | MULCH PLATE R.H. | 1 |
| 6 | S02206 | S02306 | MULCH PLATE CENTRE | 1 |
| 7 | S02207 | S02307 | MULCH PLATE L.H. | 1 |
| 8 | S02108 | S02308 S02309 | CLUTCH COVER SIDE R.H & L.H. | 2 |
| 9 | S02109 | S02310 | CLUTCH COVER FRONT | 1 |
| 10 | S03578 | S03578 | BOLT& NUT ASSY.1' UNC X 3 1/2 | 2 |
| 11 | S03539 | S03539 | BOLT & NUTS BACK FLAP HINGE | 6 |
| 12 | S02110 | S02110 | 3/4" UNC NUT & SPRING WASHER | 1 |
| 13 | S03480-1 | S03480-1 | 3/8"X1 1/2" BOLT,NUT & SPRING WASHER | 8 |



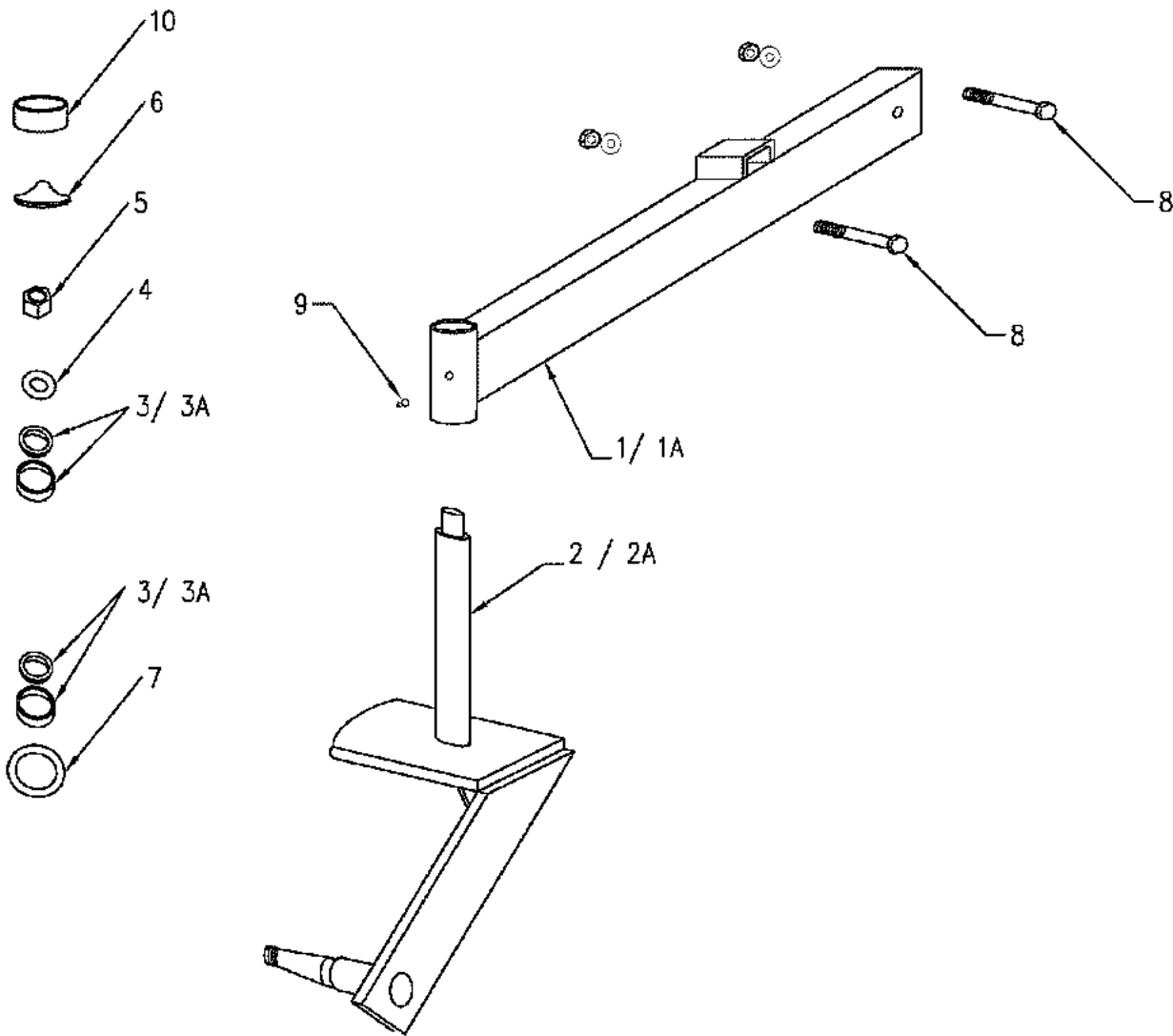
LX10, LX12 - TOWER

| ITEM No. | PART No. LX10 | PART No. LX12 | DESCRIPTION | No. OFF |
|----------|------------------|------------------|------------------------------|---------|
| 1 | S07004 | S07004 | TOWER | 1 |
| 2 | S02120 | S02398 | TOWER CHAIN | 2 |
| 3 | S04009 | S04009 | TOP PIN | 1 |
| 4 | S04010 | S04010 | TOP PIN BUSH | 1 |
| 5 | S04011 | S04011 | LYNCH PIN | 1 |
| 6 | S04006 | S04006 | TOWER CHAIN BOLT & NUT ASSY. | 4 |
| 7 | S04007 | S04007 | TOWER HINGE BOLT & NUT ASSY. | 2 |
| | | | | |



TX10, TX12 - DRAWBAR

| ITEM No. | PART No. | DESCRIPTION | No. OFF |
|----------|-------------------|----------------------------------|---------|
| 1 | S02261 | DRAWBAR HITCH | 1 |
| 2 | S03579 | DRAWBAR HITCH BOLTS | 2 |
| 3 | S02263 | BRAWBAR HITCH BOLT NUTS. | 4 |
| 4 | S02260 | HOSE CARRIER W/- NUT & S/WASHER | 1 |
| 5 | S01796 | DRAWBAR JACK ASSEMBLY | 1 |
| 6 | S02931 | DRAWBAR HITCH CONNECTOR | 1 |
| 7 | S03579, S04247 | DRAWBAR HITCH CON. BOLT & WASHER | 4 |

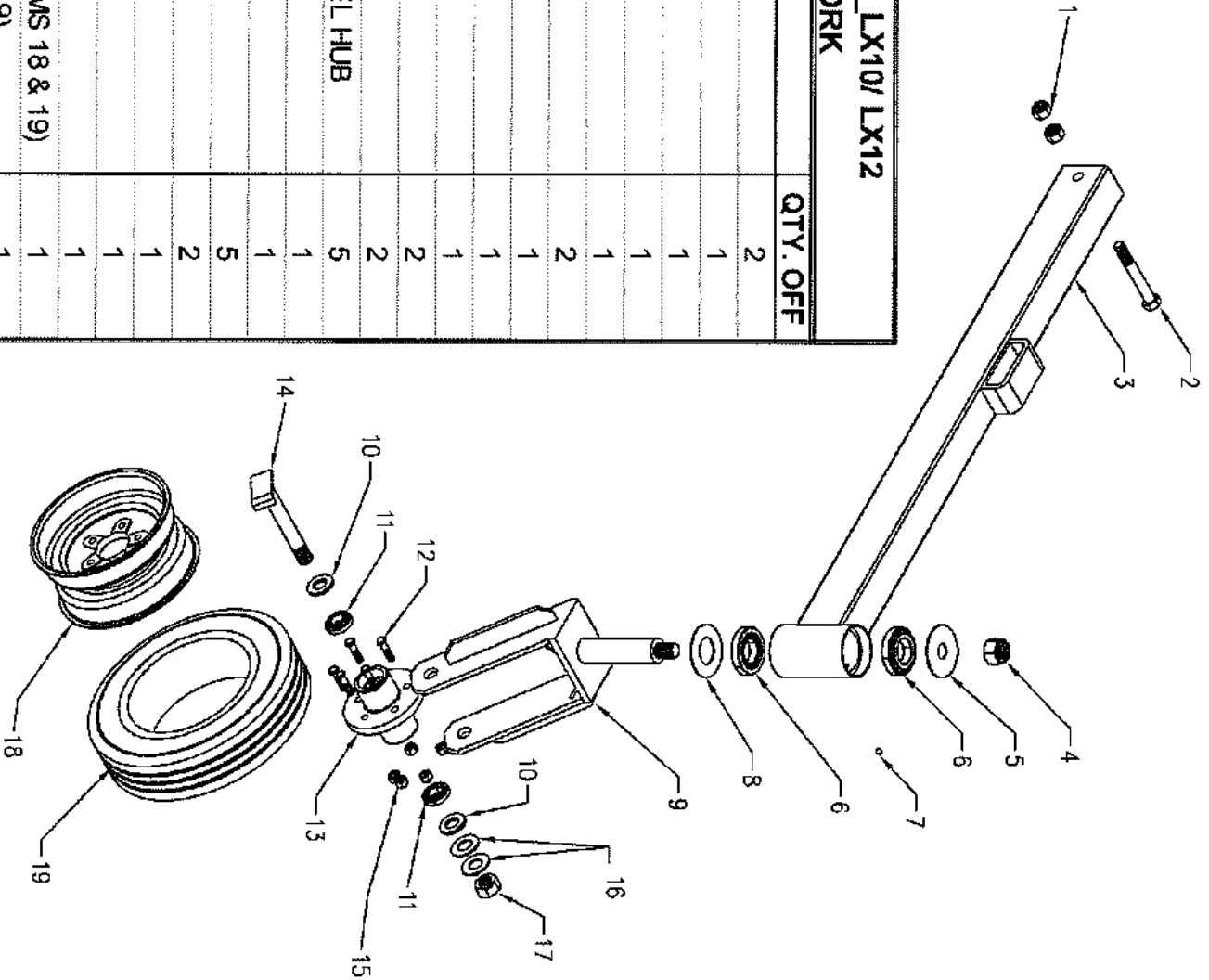


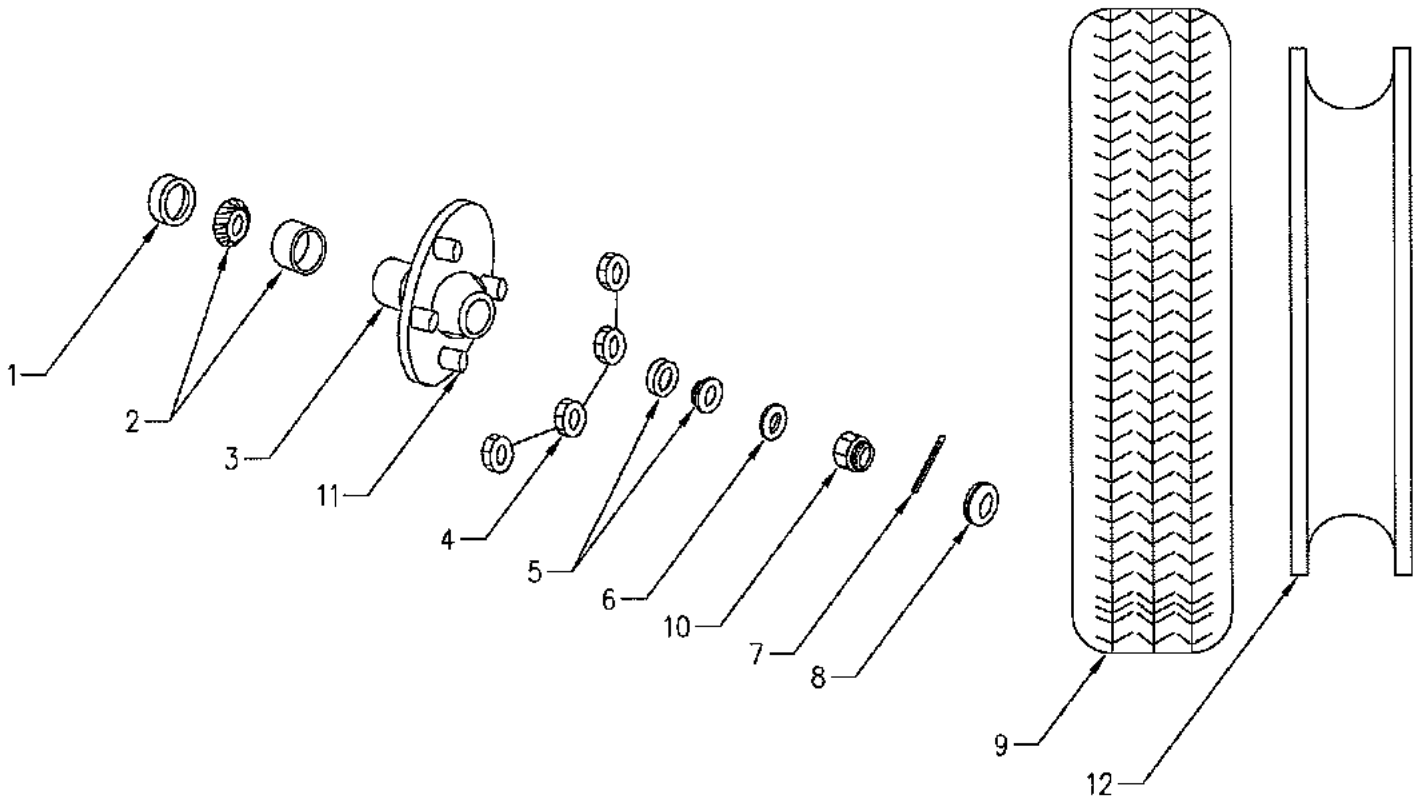
LX10, LX12 - REAR CASTOR ASSEMBLY

| ITEM No. | PART No. | DESCRIPTION | QTY. OFF |
|----------|----------|---|----------|
| 1 | S02211-1 | CASTOR BEAM SUIT 1 3/4" FORK SHAFT | 1 |
| 2 | S04117-1 | FORK 520X10 1 3/4" SHAFT (BEARING TYPE) | 1 |
| 3 | S04646 | BEARING TOP AND BOTTOM SUIT 1 3/4" SHAFT | 2 |
| 1A | S02211 | CASTOR BEAM SUIT 1 1/2" FORK SHAFT (OBSOLETE SINCE JAN'10) | 1 |
| 2A | S04117 | FORK SINGLE LEG 520X10 1 1/2" SHAFT (OBSOLETE SINCE JAN'10) | 1 |
| 3A | S04094 | BEARINGS TOP & BOTTOM SUIT 1 1/2" SHAFT (OBSOLETE SINCE JAN'10) | 2 |
| 4 | S04234 | HEAVY WASHER | 1 |
| 5 | S01100 | NYLOC NUT THIN TYPE | 1 |
| 6 | S04097 | DUST CAP - STEEL | 1 |
| 7 | S04093 | THRUST WASHER (MACHINED) | 1 |
| 8 | S02127 | HINGE BOLT, NUT & WASHER | 2 |
| 9 | S04085 | GREASE NIPPLE | 1 |
| 10 | S04127 | DUST CAP - PLASTIC | 1 |
| 11 | S02212 | CASTOR ASSEMBLY COMPLETE | INC 1-9 |

OPTIONAL CASTOR BEAM AND WHEEL ASSEMBLY LX10/ LX12
500/ 520 x10 WHEEL WITH DOUBLE LEG FORK

| ITEM NO. | PART NO. | DESCRIPTION | QTY. OFF |
|----------|----------|---|----------|
| 1 | S05067 | NMLOC NUT 3/4"UNC | 2 |
| 2 | S03559 | HEAX BOLT 3/4" UNC 5 1/2" LONG | 1 |
| 3 | S02379 | CASTOR BEAM | 1 |
| 4 | S01038 | NMLOC NUT 1"UNC | 1 |
| 5 | S08159 | WASHER OD3 3/4"XID1" | 1 |
| 6 | S04646 | TAPER ROLLER BEARING 30209 | 2 |
| 7 | S04085 | GREASE NIPPLE 1/8" BSP | 1 |
| 8 | S08158 | WASHER OD 3 3/4"X ID 1 7/8" | 1 |
| 9 | S08156 | FORK DOUBLE LEG | 1 |
| 10 | S04078 | WHEEL SPACER 1"X1/4" THICK | 2 |
| 11 | S02223 | TAPER ROLLER BEARING | 2 |
| 12 | S02237 | STUD 7/16"UNFX 1 1/2" LONG SUIT WHEEL HUB | 5 |
| 13 | S08190 | WHEEL HUB | 1 |
| 14 | S05229-3 | AXLE 1 1/4"DIA 11 " LONG | 1 |
| 15 | S02225 | HEX NUT 7/16"UNF | 5 |
| 16 | S04227 | FLAT WASHER 1" | 2 |
| 17 | S01038 | HEX NUT 1"UNC | 1 |
| 18 | S02273 | RIM SUIT 500/ 520X10 WHEEL | 1 |
| 19 | S02152 | WHEEL TYRE 500/ 520X10 | 1 |
| 20 | S04269-1 | WHEEL TYRE AND RIM SUIT 500/ 520X10 (ITEMS 18 & 19) | 1 |
| 21 | S08187 | WHEEL HUB ASSEMBLY (ITEMS 10- 19) | 1 |
| 22 | S08188 | WHEEL ASSEMBLY (ITEMS 10-22) | 1 |
| 23 | S08189 | CASTOR BEAM AND WHEEL ASSEMBLY COMPLETE | 1 |

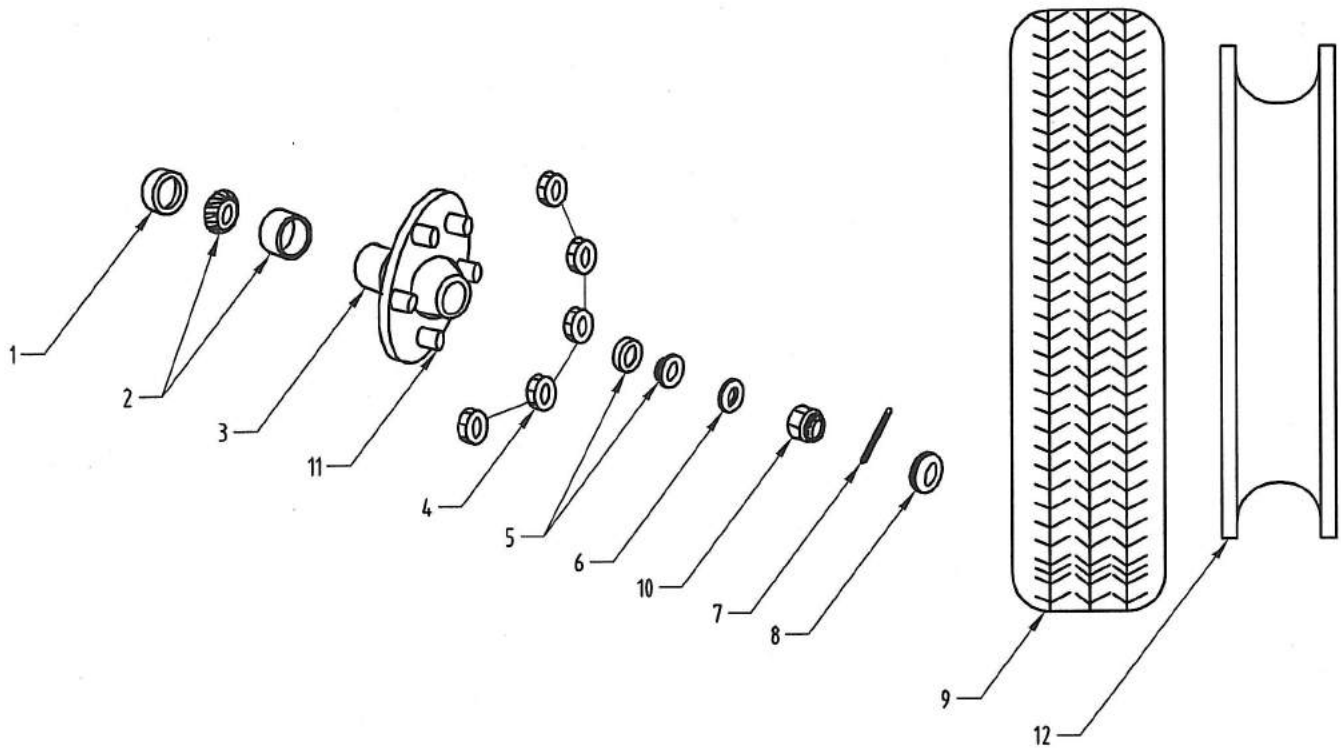




LX10, LX12 - WHEELS & HUBS

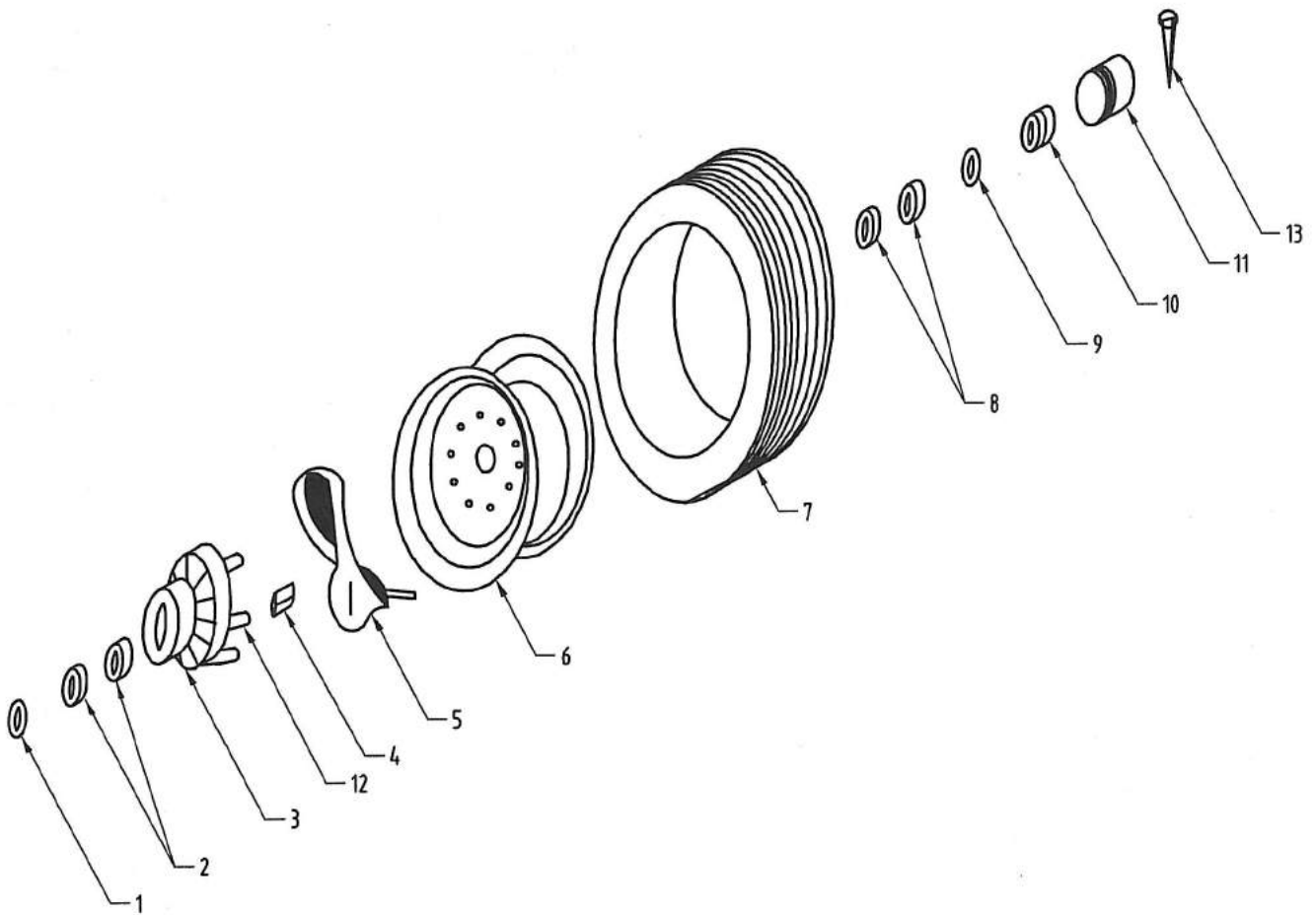
| ITEM No. | PART No. 520 x 10 | DESCRIPTION | QTY. OFF |
|----------|----------------------|--------------------------|----------|
| 1 | S2222 | SEAL (Optional) | 1 |
| 2 | S2223 | INNER BEARING (W/-Seal) | 1 |
| 3 | S2150 | WHEEL HUB - HOLDEN | 1 |
| 4 | S2225 | WHEEL NUTS | 4 |
| 5 | S2229 | OUTER BEARING | 1 |
| 6 | S2230 | WASHER | 1 |
| 7 | S2233 | COTTER PIN | 1 |
| 8 | S2232 | WHEEL HUB DUST CAP | 1 |
| 9 | S2152 | TYRE - 520 x 10 | 1 |
| 10 | S2231 | SLOTTED NUT | 1 |
| 11 | S2237 | WHEEL STUDS | 4 |
| * 12 | S2153 | WHEEL RIM - 520 x 10 | 1 |
| 13 | S2151 | TUBE (Not Illustrated) | 1 |

* PLEASE NOTE: ITEM NO.12 IS NO LONGER AVAILABLE . IT IS NOW REPLACED WITH 5 STUD RIM
 . REFER PAGE NO.13A.



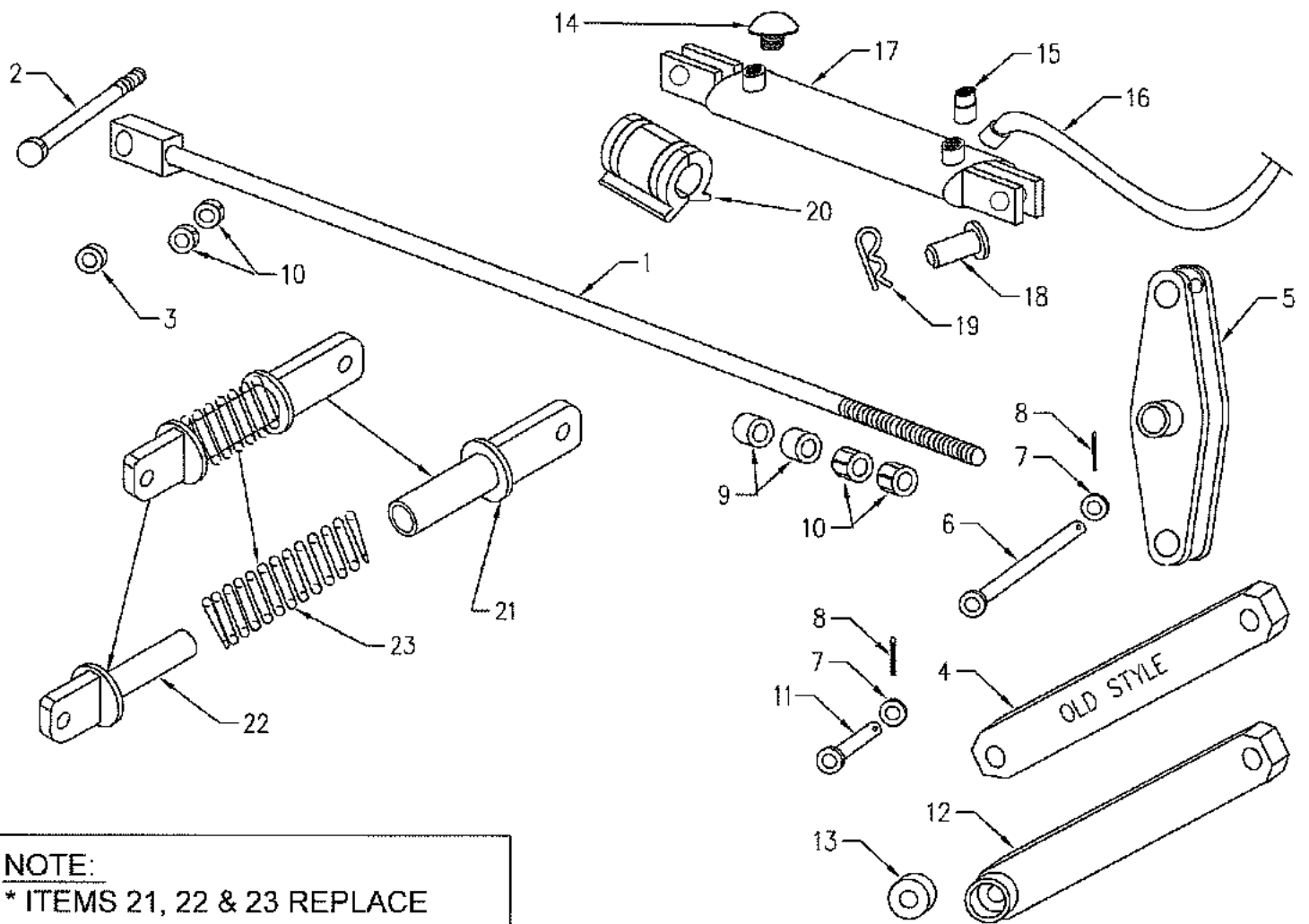
LX10, LX12 - WHEELS & HUBS (Alloy 10" Monofilled)

| ITEM No. | PART No. 520 x 10 | DESCRIPTION | QTY. OFF |
|----------|----------------------|--|----------|
| 1 | S2222 | SEAL | 1 |
| 2 | S2223 | INNER BEARING | 1 |
| 3 | S2224 | HUB Inc. Studs (Holden 5 Stud) | 1 |
| 4 | S2158 | NUTS To Suit Hub | 5 |
| 5 | S2229 | OUTER BEARING | 1 |
| 6 | S4226 | WASHER | 1 |
| 7 | S2233 | COTTER PIN | 1 |
| 8 | S2232 | DUST CAP (Suit Holden) | 1 |
| 9 | S2152 | TYRE | 1 |
| 10 | S2231 | SLOTTED NUT | 1 |
| 11 | S2157 | STUDS To Suit Hub | 5 |
| 12 | S2273 | RIM (NB:-10" Rim is Alloy 5 Stud) | 1 |
| 13 | S2151 | TUBE (Not illustrated) | 1 |
| 14 | S4269 | WHEEL(Alloy) Complete 10" Monofilled | 1 |



WHEEL OPTIONS -: 10", 14", 16"

| ITEM No. | PART No. 520 x10 | PART No. 600 x 14 | PART No. 750 X 16 | DESCRIPTION | QTY. OFF |
|----------|---------------------|----------------------|----------------------|--|----------|
| 1 | S2222 | S2222 | S1691 | SEAL | 1 |
| 2 | S2223 | S2223 | S1689 | INNER BEARING | 1 |
| 3 | S2224 | S2224 | S1688 | HUB Inc. Studs | 1 |
| 4 | S2158 | S2158 | S1694 | NUTS To Suit Hub | AS REQ. |
| 5 | S2151 | S2226 | S1697 | TUBE | 1 |
| 6 | S2273 | S2227 | S1695 | RIM (NB:-10" Rim is Alloy) | 1 |
| 7 | S2152 | S2228 | S1696 | TYRE | 1 |
| 8 | S2229 | S2229 | S1690 | OUTER BEARING | 1 |
| 9 | S4226 | S4226 | S4227 | WASHER | 1 |
| 10 | S2231 | S2231 | S1811 | CASTELATED NUT | 1 |
| 11 | S2232 | S2232 | S1692 | DUST CAP | 1 |
| 12 | S2157 | S2157 | S1693 | STUDS To Suit Hub | AS REQ. |
| 13 | S2233 | S2233 | S2219 | COTTER PIN | 1 |
| 14 | S4269 | N/A | N/A | WHEEL(Alloy) Complete 10" Monofilled | 1 |

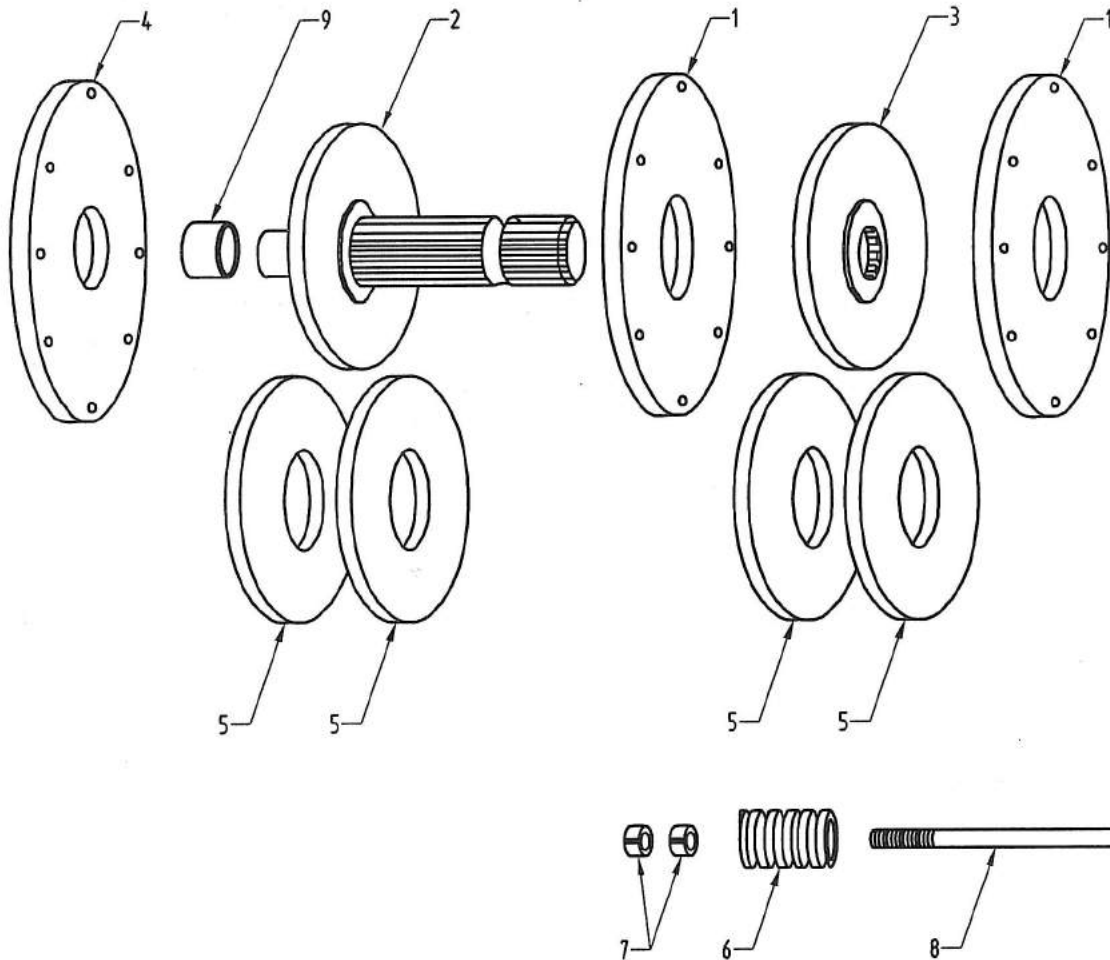


NOTE:

* ITEMS 21, 22 & 23 REPLACE
ITEMS 4, 12 & 13 FROM 01/01/09

TX10, TX12 - HYDRAULIC LIFT & RAM ASSEMBLY

| ITEM No. | PART No. TX10 | PART No. TX12 | DESCRIPTION | No. OFF |
|----------|------------------|------------------|---|------------|
| 1 | S02242 | S02351 | LEVELLING TIE ROD | 1 |
| 2 | S03585 | S03585 | BOLT & NUT ASSY | 1 |
| 3 | S02243 | S02243 | SPACERS | 1 |
| 4 | S02253 | S02253 | CONNECTOR BAR (Old Models Only) | 1 |
| 5 | S02252 | S02252 | ROCKER ASSY | 1 |
| 6 | S02258 | S02258 | PIN SUIT ROCKER | 1 |
| 7 | S02245 | S02245 | WASHER BRT 1" | 1 |
| 8 | S04054 | S04054 | COTTER PIN | 2 |
| 9 | S02243 | S02243 | SPACER BUSH | 2 |
| 10 | S02255 | S02255 | LOCK NUTS | 4 |
| 11 | S02257 | S02257 | CON/BAR & ROCKER LINK PIN | 1 |
| 12 | S02479 | S02479 | CONECTOR BAR (Complete With Bush) (Advise Length) | 1 |
| 13 | S02476 | S02476 | RUBBER BUSH | 1 |
| 14 | S02639 | S02639 | HYDRAULIC BREATHER | 1 |
| 15 | S02647 | S02647 | HYDRAULIC NIPPLE 1/2BSP..3/4UNO | 1 |
| 16 | S02650 | S02650 | HYDRAULIC HOSE MAIN TO TRACTOR | 1 |
| 17 | S02240 | S02244 | HYDRAULIC CYLINDER | 1 |
| 17A | S02240-2 | S02244-1 | HYDRAULIC CYLINDER BARECO MAKE | 1 |
| 18 | S02250 | S02250 | RAM PIN | 1 |
| 19 | S02251 | S02251 | R' CLIP | 1 |
| 20 | S02871 | S02871 | WHOA STOPS | 4 SETS / 8 |
| 21 | S02478-2 | S02478-2 | CONNECTOR BAR FEMALE FOR LIFT ARM ASSEMBLY | 1 |
| 22 | S02478-4 | S02478-4 | CONNECTOR BAR MALE FOR LIFT ARM ASSEMBLY | 1 |
| 23 | S02478-3 | S02478-3 | SPRING 18MM SUIT CONNECTOT BAR | 1 |

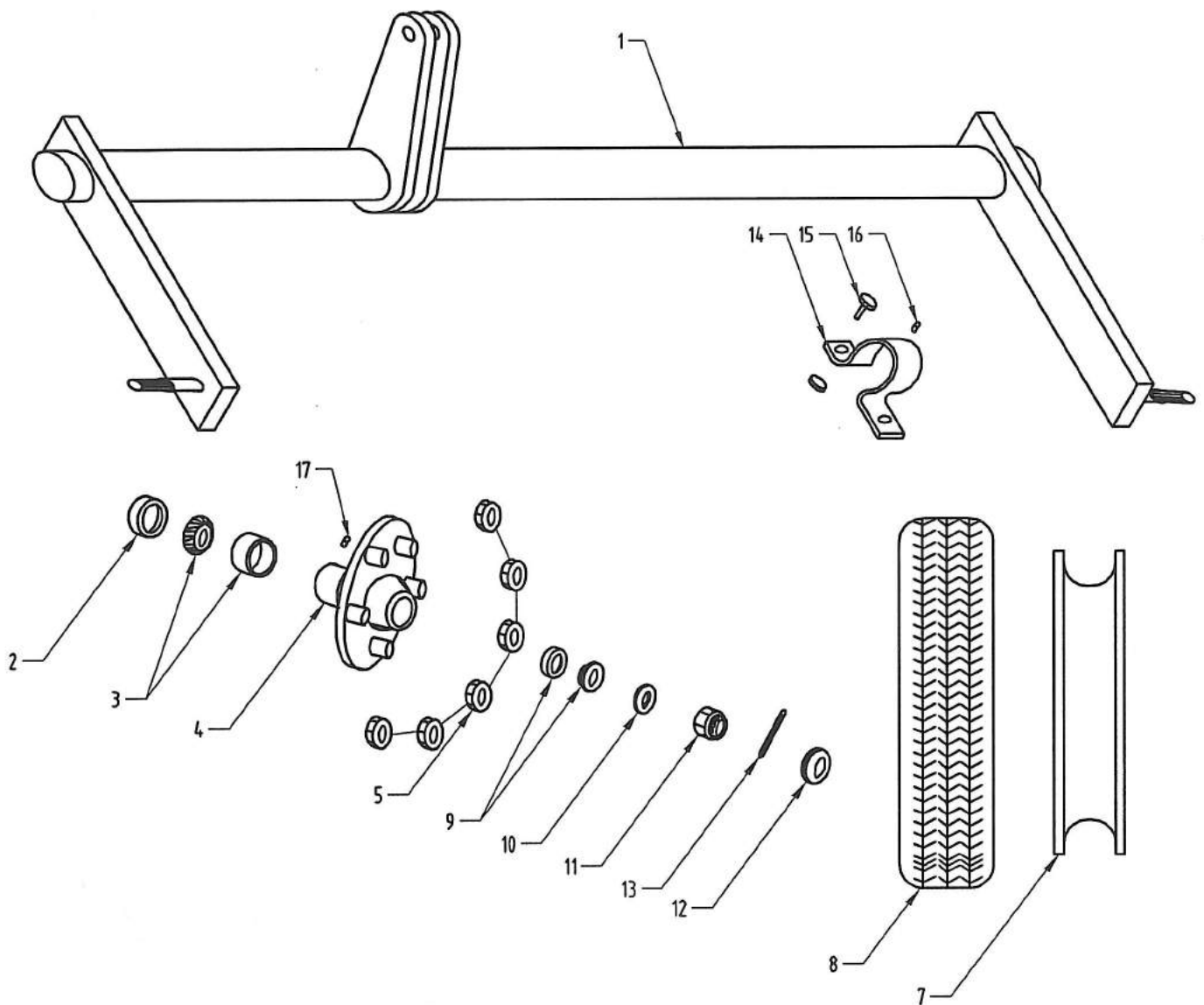


NB:- Check length of spline before ordering

S2000 CLUTCH ASSEMBLY MAIN DRIVE UPDATE (Lge Spigot August 2000)

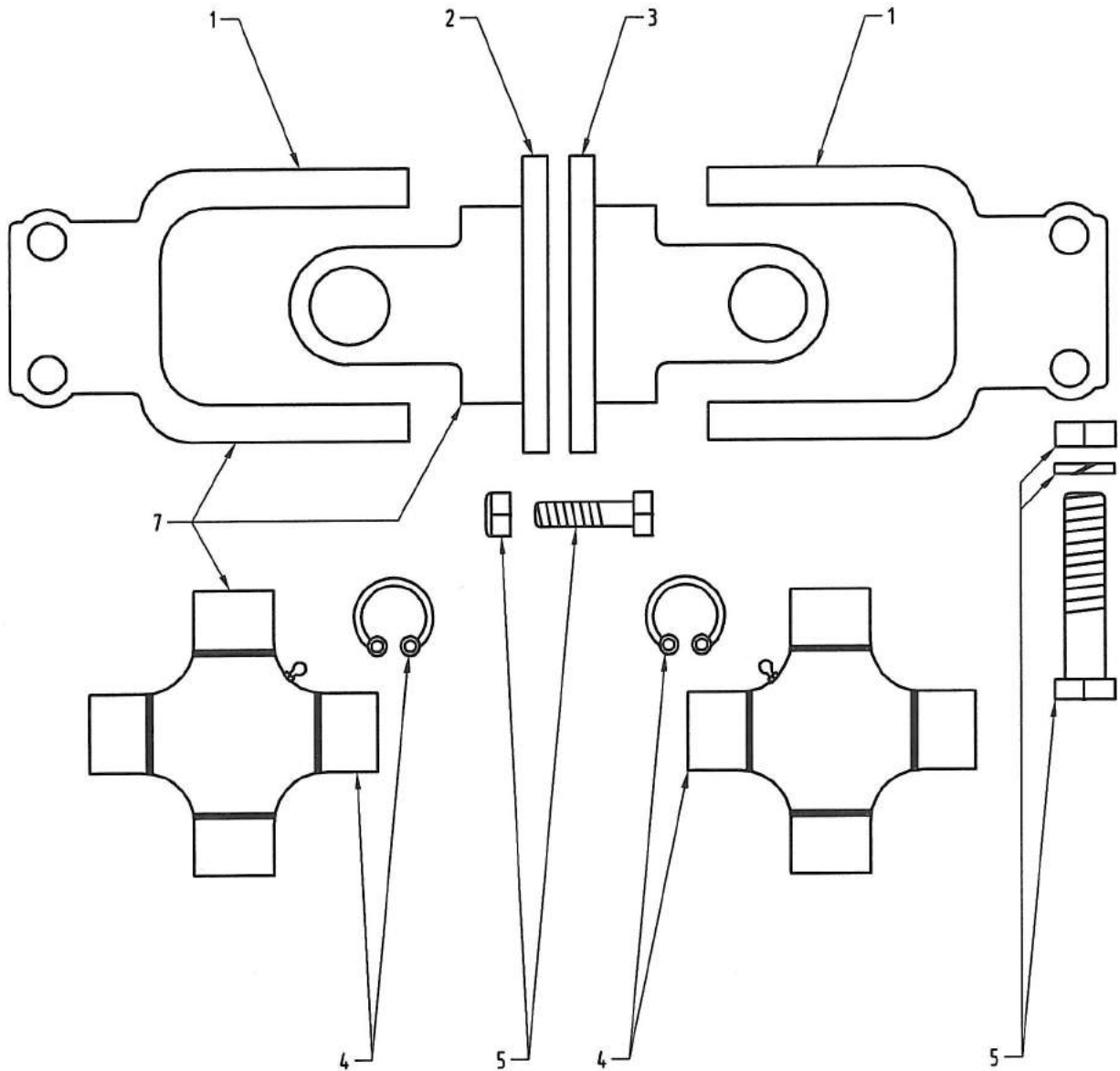
| ITEN No. | PART No. | DESCRIPTION | No. OFF |
|----------|----------|--|---------|
| 1 | S4026 | CLUTCH FRONTPLATE | 2 |
| 2 | S6400 | CLUTCH DRIVE PLATE (1 3/4 X 20 SPLINE) | 1 |
| 3 | S6401 | CLUTCH SLIDING SPACER (1 3/4 X 20 SPLINE) | 1 |
| 4 | S2332 | 5mm SPACER PLATE (Update for Older Slashers) | 1 |
| 5 | S4027 | CLUTCH LININGS | 4 |
| 6 | S4100 | CLUTCH SPRING | 8 |
| 7 | S4102 | CLUTCH BOLT NUTS (1/2" WHIT) | 16 |
| 8 | S2334 | CLUTCH BOLT (5 X 1/2" WHIT) | 8 |
| 9 | S4103 | CLUTCH BUSH | 1 |
| 1~9 | S6402 | S2000 CLUTCH COMPLETE (1 3/4 X 20 SPLINE) | 1 |

NB:- NEW DRIVEPLATE S6400 REPLACES S2375 AS FROM 1/8/2000 ON LX-TX 10, 12



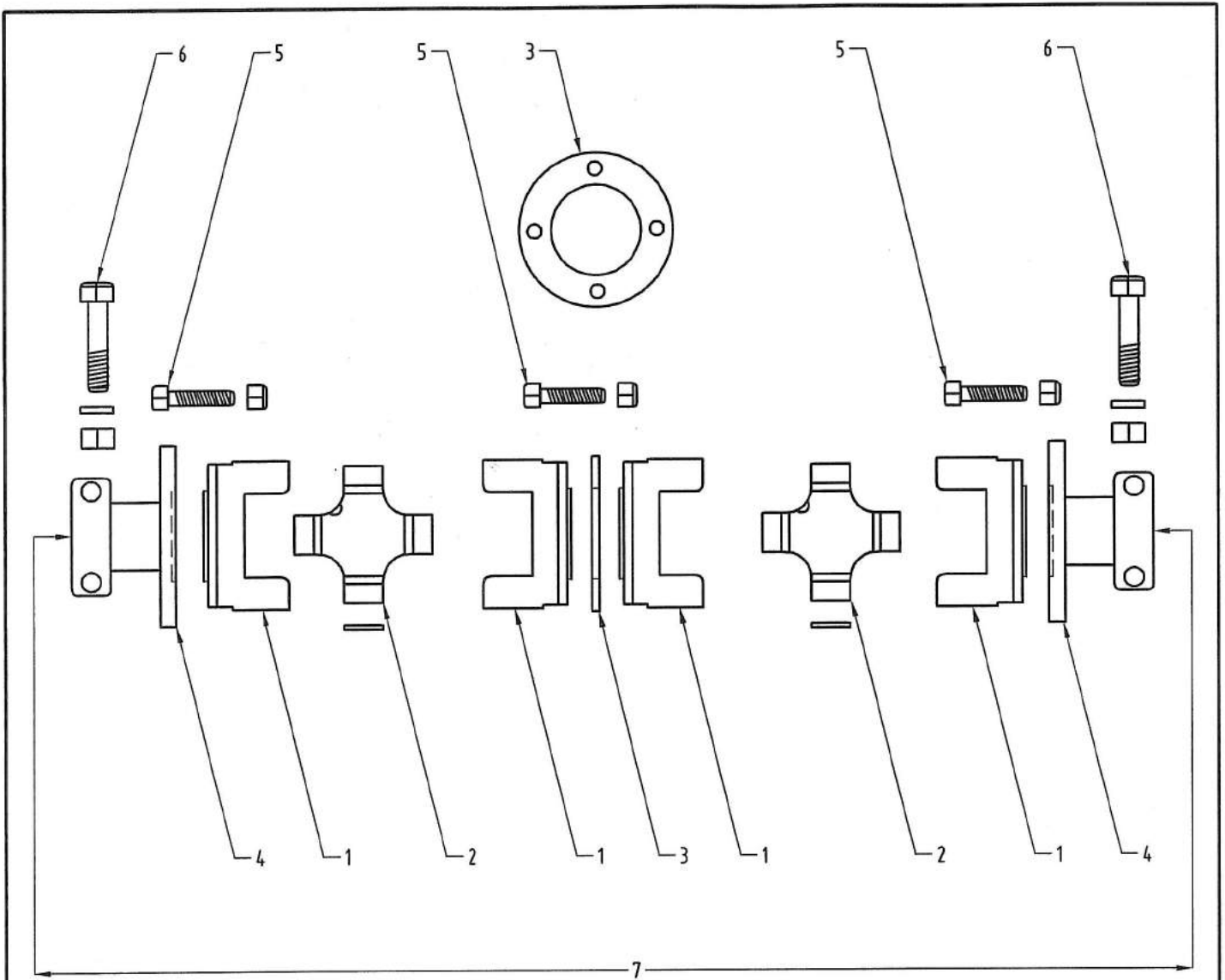
TX10, TX12 - REAR AXLE ASSY

| ITEM No. | PART No. TX10 | PART No. TX12 | DESCRIPTION | No.OFF |
|----------|------------------|------------------|------------------------|--------|
| 1 | S2221 | S2220 | REAR AXLE | 1 |
| 2 | S2222 | S2222 | SEAL | 1 |
| 3 | S2223 | S2223 | INNER BEARING | 1 |
| 4 | S2224 | S2224 | WHEEL HUB | 1 |
| 5 | S2225 | S2225 | WHEEL STUD NUTS | 5 |
| 6 | S2226 | S2226 | TUBE (Not Shown) | 1 |
| 7 | S2227 | S2227 | RIM 14" | 1 |
| 8 | S2228 | S2228 | TYRE 14" | 1 |
| 9 | S2229 | S2229 | OUTER BEARING | 1 |
| 10 | S2230 | S2230 | FLAT WASHER | 1 |
| 11 | S2231 | S2231 | LOCK NUT | 1 |
| 12 | S2232 | S2232 | DUST CAP | 1 |
| 13 | S2233 | S2233 | COTTER PIN | 1 |
| 14 | S2234 | S2234 | SADDLE 4" | 5 |
| 15 | S4006 | S4006 | BOLT, NUT & WASHER | 10 |
| 16 | S4085 | S4085 | GREASE NIPPLE | 5 |
| 17 | S4120 | S4120 | GREASE NIPPLE suit Hub | 1 |
| | S2235 | S2236 | REAR AXLE ASSEMBLY | |



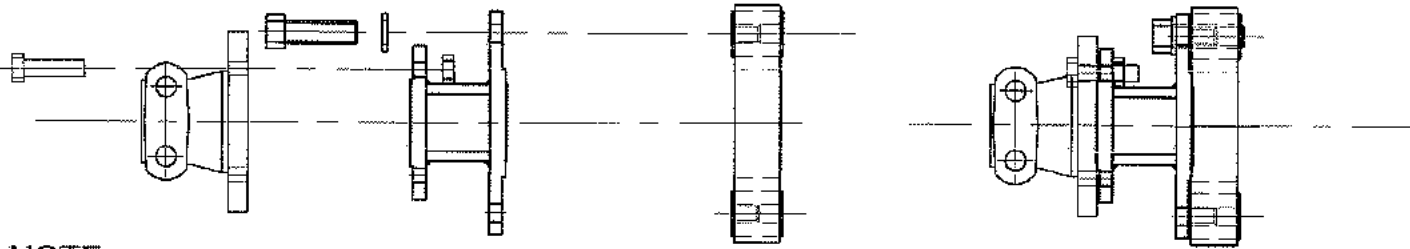
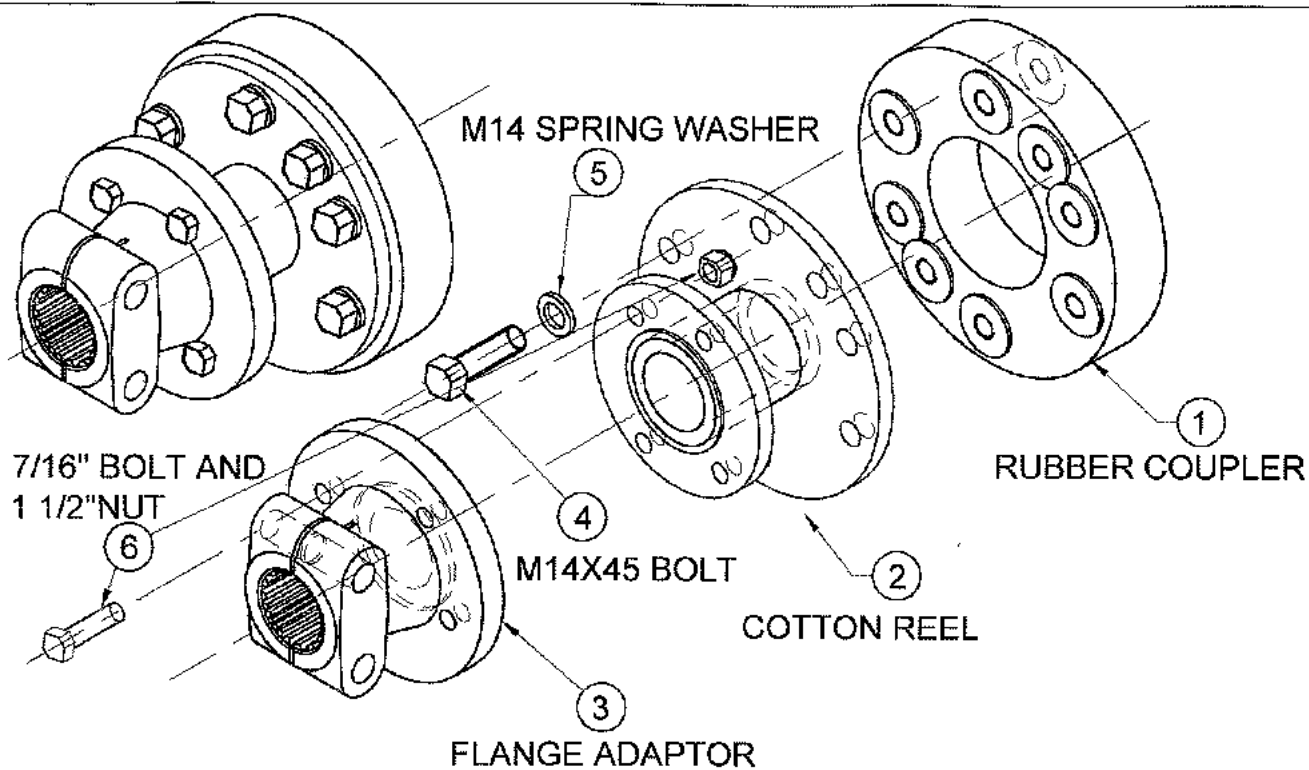
LX12, TX12 - GEARBOX CONNECTORS W/SCHD

| ITEM No. | PART No. | DESCRIPTION | No. OFF |
|----------|----------|---|---------|
| 1 | S1753 | W'SCHD YOKE 1 3/4x20 CLAMP | 2 |
| 2 | S1763 | W'SCHD 2500 FLANGE YOKE | 1 |
| 3 | S1763 | W'SCHD 2500 FLANGE YOKE | 1 |
| 4 | S1754 | W'SCHD 2500 UNIVERSAL | 2 |
| 5 | S3293 | BOLT & NUT ASSY (1 1/4"x5/16" UNF) | 8 |
| 6 | S3376 | BOLT, NUT & WASHER ASSY (3 1/2" x 5/8") | 4 |
| 7 | S1764 | W'SCHD 2500 FLANGE ASSEMBLY COMPLETE | 1 |
| | | | |



LX10 & TX10 GEARBOX CONNECTORS

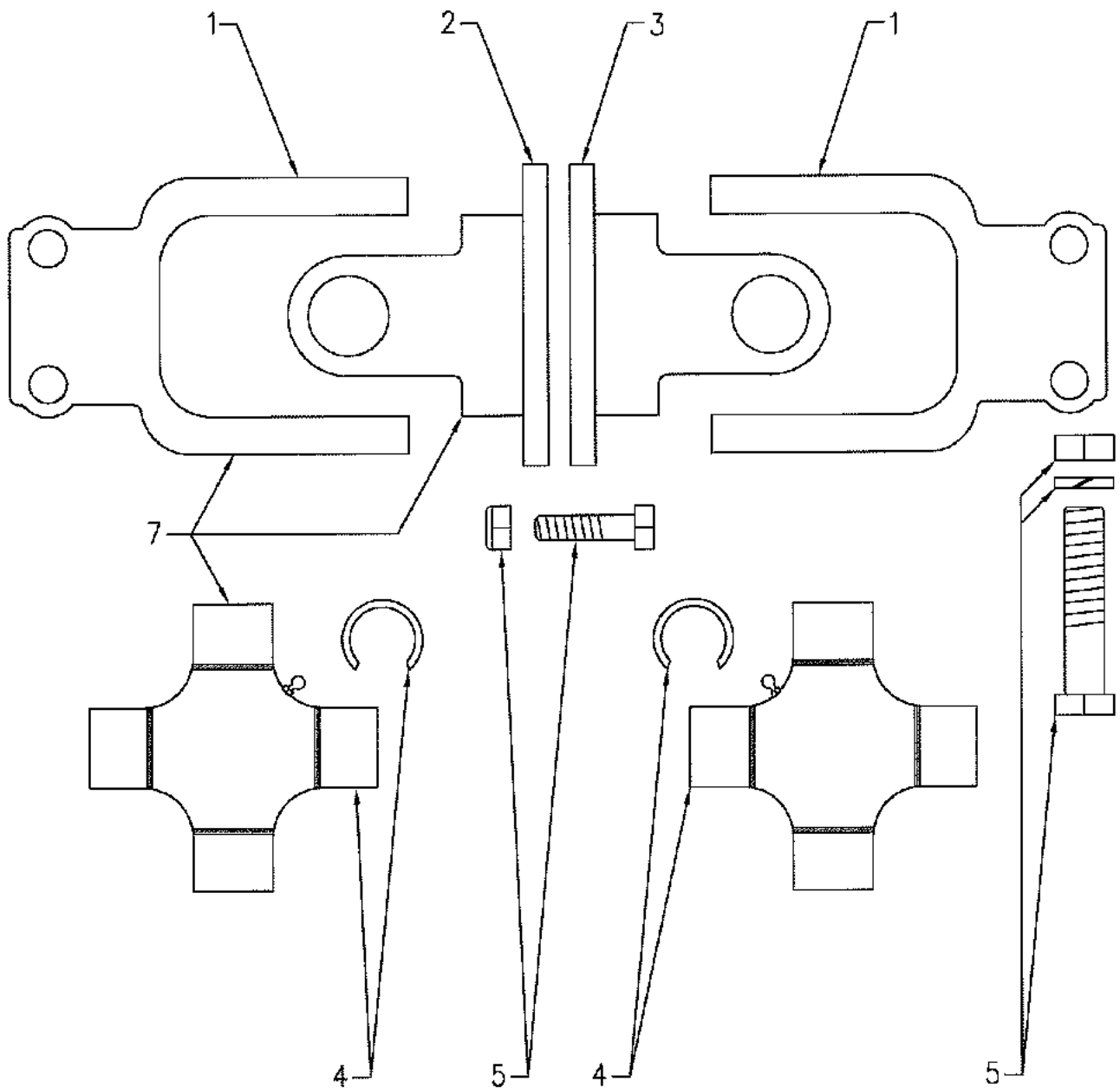
| ITEM | PART No. | DESCRIPTION | No. OFF |
|------|---------------|--|---------|
| 1 | S2350 | FLANGE 1410 | 4 |
| 2 | S2347 | UNIVERSAL JOINT 1410 | 2 |
| 3 | S2352 | LOCATING RING 1410 | 1 |
| 4 | S2353 | SPLINED ADAPTOR 1410 1 3/4 X 20 Spline | 2 |
| 5 | S2342 / S1026 | BOLT & NYLOC NUT | 12 |
| 6 | S3542 | CLAMP BOLT, NUT & WASHER | 4 |
| 7 | S2360 | CONNECTOR ASSY. Complete | 1 |
| | | | |



NOTE:
 * BOLTS TO BE USED FOR COTTON REEL TO RUBBER COUPLER SHOULD BE **M14X45MM** LENGTH.

LX10 & TX10 RUBBER COUPLING ASSY

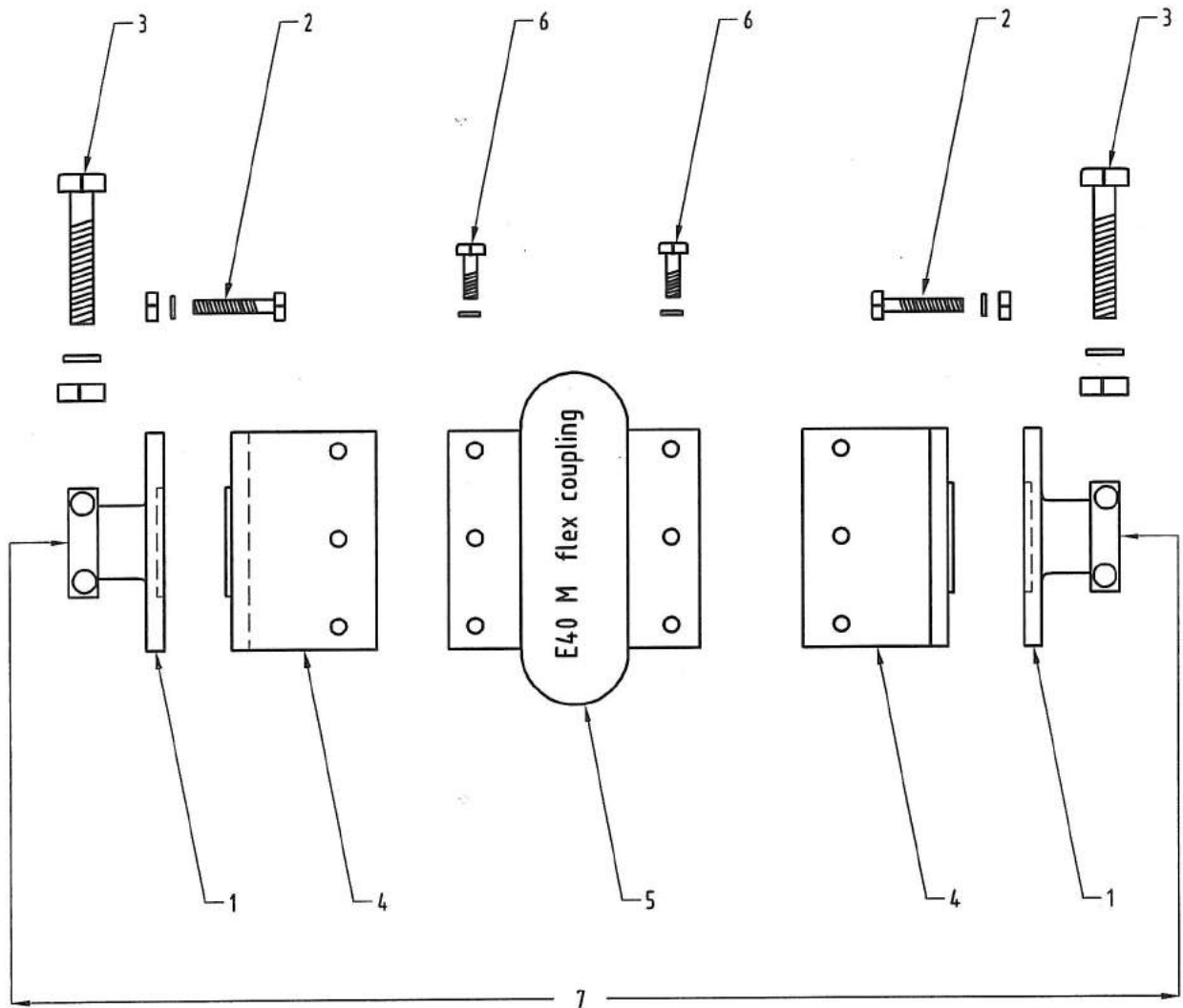
| ITEM | PART No. | DESCRIPTION | No. OFF |
|------|----------|---|---------|
| 1 | S04959 | RUBBER COUPLING 180mm DIA. ITALY/INDIA | 1 |
| 2 | S02389-1 | LX10 Cotton Reel Suits Side Drive 1410 Flanges | 1 |
| 3 | S02353 | DRIVE FLANGE ADAPTOR 13/4 X 20 SPLINE JAYBEN | 1 |
| 4 | S04958 | BOLT METRIC 14mm X 45 (Suit Italian Connection) | 8 |
| 5 | S04249 | WASHER SPRING HEAVY 14mm | 8 |
| 6 | S02342 | BOLT & NUT FLANGE 7/16" Unf x 1 1/2" | 4+4 |



THESE PARTS ARE NO LONGER AVAILABLE, SINCE JANUARY 2006. REMAINING PARTS ARE AVAILABLE AS INDIVIDUAL PARTS. PLEASE REFER PAGE 17 FOR WALTERSCHIED PARTS AS SUBSTITUTES.

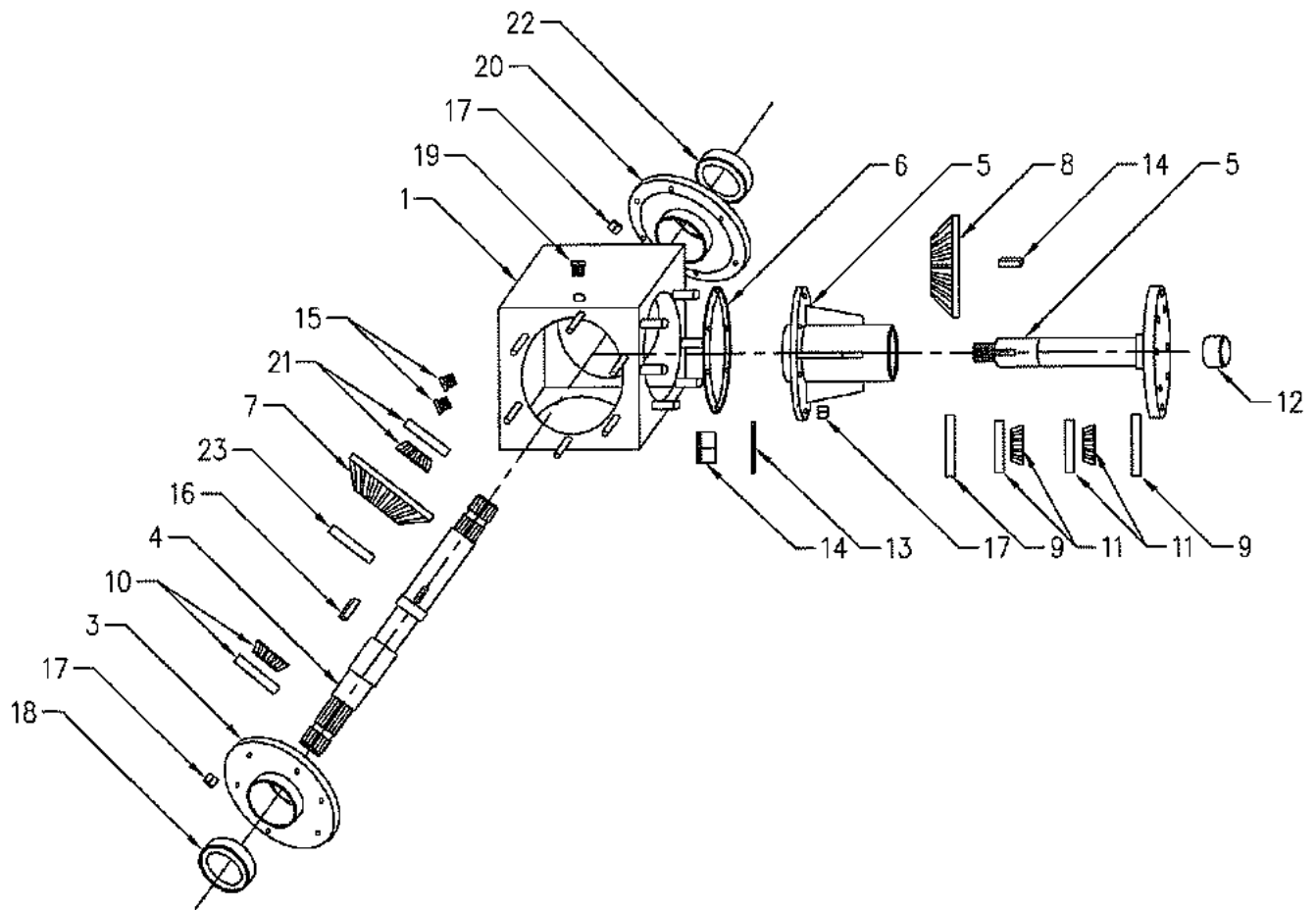
LX12, TX12 - GEARBOX CONNECTORS (JAYBEN 8AG)

| ITEM No. | PART No. | DESCRIPTION | No. OFF |
|----------|----------|---|---------|
| 1 | S5176 | JAYBEN YOKE 1 3/4" x 2 CLAMP | 2 |
| 2 | S5186 | JAYBEN FLANGE YOKE (FEMALE) *** | 1 |
| 3 | S5187 | JAYBEN FLANGE YOKE (MALE) *** | 1 |
| 4 | S5160 | JAYBEN UNIVERSAL | 2 |
| 5 | S3293 | BOLT & NUT ASSY | 8 |
| 6 | S3375 | BOLT, NUT & WASHER ASSY | 4 |
| 7 | S5188 | ASSEMBLY COMPLETE (INCLUDES 1 - 6) *** | 1 |



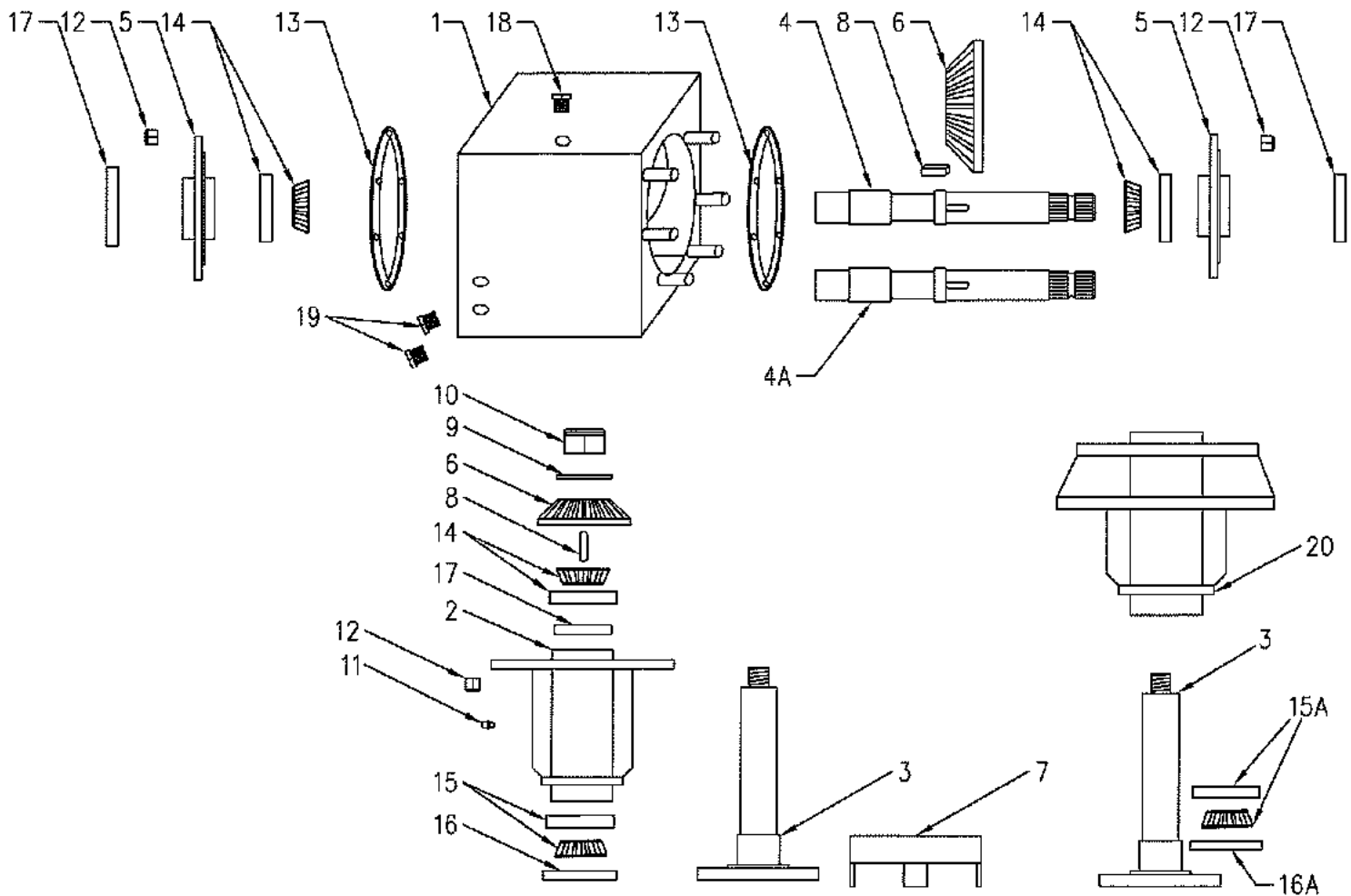
OPTIONAL FLEXIBLE COUPLING

| ITEM No. | PART No. LX10, TX10 | PART No. LX12, TX 12 | DESCRIPTION | No. OFF |
|----------|------------------------|-------------------------|--|---------|
| 1 | S2353 | S2353 | DRIVE FLANGE 1 3/4 X 20 | 4 |
| 2 | S2342 | S2342 | BOLT & NUT ASSY. | 8 |
| 3 | S5274 | S5274 | CLAMP BOLT & NUT ASSY. | 4 |
| 4 | S7607 | S7610 | ADAPTOR DRIVE ---FLEX COPLING | 4 |
| 5 | S7606 (E 30) | S7609 (E 40) | FLEXIBLE COUPLING (E 30) & (E 40) | 2 |
| 6 | S3509 | S3509 | BOLT NUT & WASHER SUIT FLEX COUPLING | 12 |
| 7 | S7608 | S7611 | CONNECTOR ASSY. COMPLETE (FLEX COUPLING) | 2 |
| | | | | |



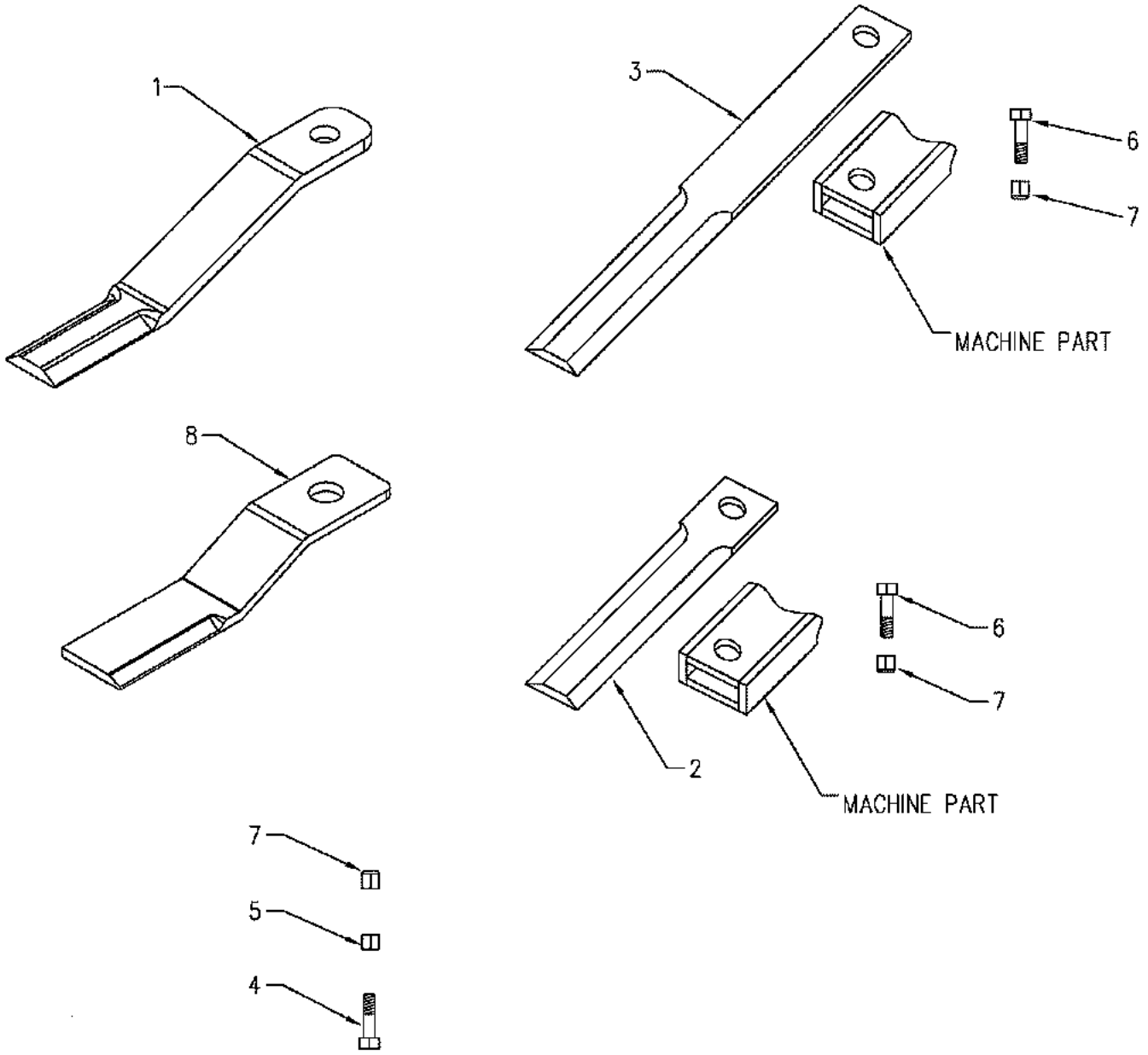
LX10, TX10, LX12, TX12 - CENTRE GEARBOX

| ITEM No. | PART No. LX10, TX10 | PART No. LX12, TX12 | DESCRIPTION | No.OFF |
|----------|------------------------|------------------------|--|---------|
| 1 | S02002 | S02002 | GEARBOX HOUSING | 1 |
| 2 | S01006 | S01006 | FRONT CARTRIDGE | 1 |
| 3 | S02003 | S02003 | END CAPS | 2 |
| 4 | S02119 (HI-SPEED) | S02007 | CROSS SHAFT | 1 |
| 5 | S01009 | S01009 | INPUT SHAFT | 1 |
| 6 | S01004 | S01004 | SHIMS .005 OR .010 | AS REQ. |
| 7-8 | / | S01104 | GEAR & PINION (1.66 : 1 RATIO HI - SPEED) | 1 |
| 7-8 | S04621 | / | GEAR & PINION (2 : 1 RATIO HI - SPEED) | 1 |
| 7-8 | / | S01005 | GEAR & PINION (1.35 RATIO) OLD STYLE | 1 |
| 9 | S01012 | S01012 | FRONT SEAL | 1 |
| 10 | S01010 | S01010 | INNER & CROSS SHAFT BEARING | 3 |
| 11 | S01011 | S01011 | OUTER BEARING | 1 |
| 12 | S04103 | S04103 | BRONZE BUSH | 1 |
| 13 | S01008 | S01008 | WASHER | 1 |
| 14 | S01007 | S01007 | NYLOC NUT | 1 |
| 15 | S01017 | S01017 | LEVEL & DRAIN PLUG | 2 |
| 16 | S01016 | S01016 | KEY | 2 |
| 17 | S01003 | S01003 | NYLOC NUTS | 18 |
| 18 | S01015 | S01015 | CROSS SHAFT SEAL | 2 |
| 19 | S01018 | S01018 | BREATHER & FILLER PLUG | 1 |
| 20 | S04615 | S04615 | END CAP (SUIT HI-SPEED SHAFT) | 1 |
| 21 | S04613 | S04613 | BEARING (SUIT HI-SPEED SHAFT) | 1 |
| 22 | S04614 | S04614 | SEAL (SUIT HI-SPEED SHAFT) | 1 |
| 23 | S04605 | S04605 | SPACER (7.7mm) | 1 |
| 24 | S02001 | S02001 | COMPLETE GEARBOX (SPECIFY RATIO 1.66 OR 2:1) | 1 |



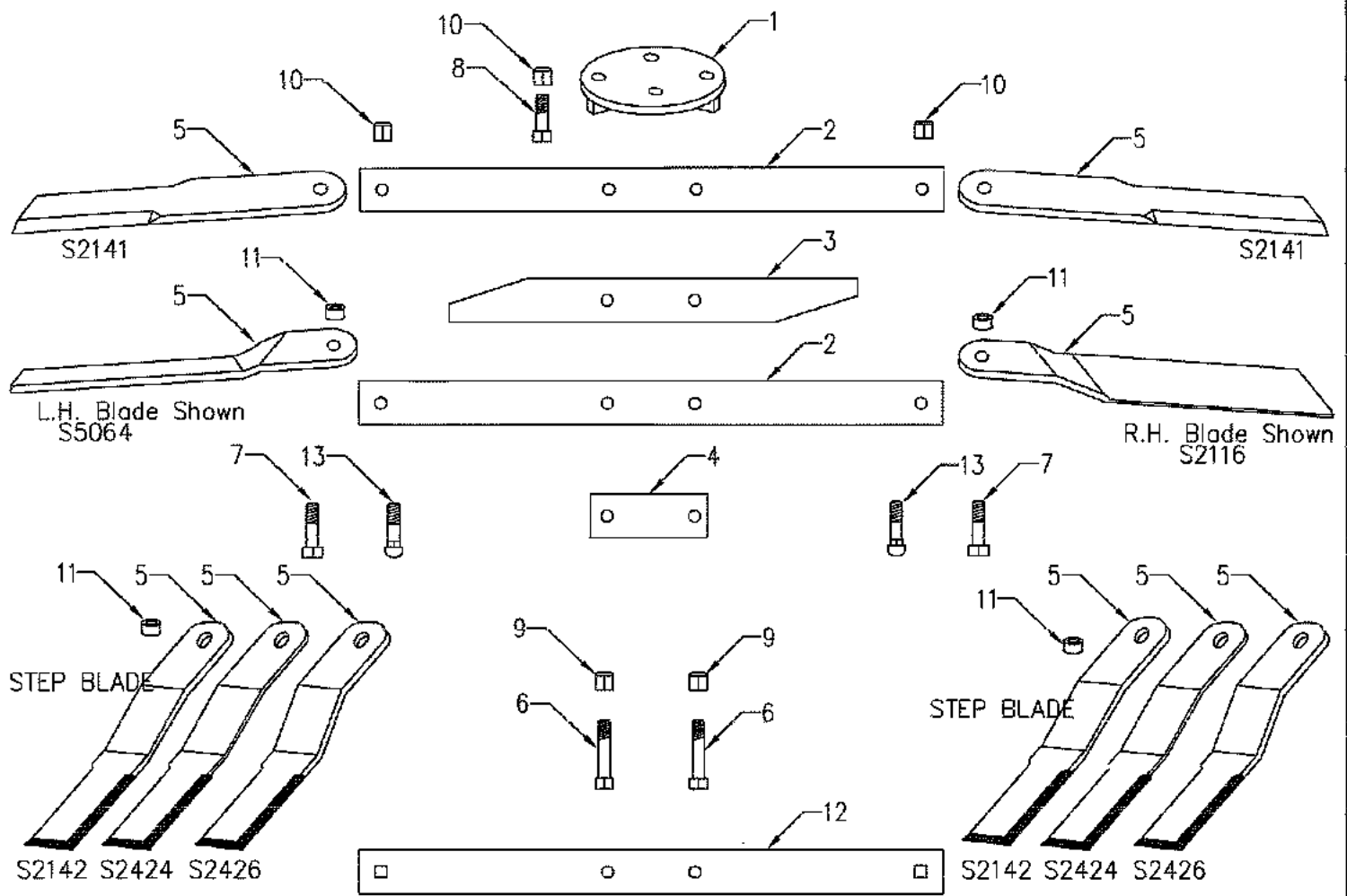
LX10, LX12, TX10, TX12 - SIDE GEARBOX

| ITEM | PART No. | DESCRIPTION | No.OFF |
|------|----------|--|---------|
| 1 | S03001 | GEARBOX HOUSING | 1 |
| 2 | S05623 | CARTRIDGE Round Flange (Advise Length & Bottom Brg. No. Required) | 1 |
| 3 | S01014 | OUTPUT SHAFT (Advise Length & Bottom Brg. No. Required) | 1 |
| 4 | S02008 | INPUT SHAFT 16" 1 3/4 X 20 SPLINE (LX10 TX10) | 1 |
| 4A | S02009 | INPUT SHAFT 18" 1 3/4 X 20 SPLINE (LX12 TX12) | 1 |
| 5 | S02003 | OPEN END CAP | 2 |
| 6 | S01105 | GEAR & PINION SET 1:1 Ratio | 1 |
| 6 | S01005 | GEAR & PINION SET 1:35 Ratio (Optional) | 1 |
| 7 | S01019 | GRASS RING | 1 |
| 8 | S01016 | KEY | 2 |
| 9 | S01008 | PINION WASHER | 3 |
| 10 | S01007 | NYLOC NUT | 1 |
| 11 | S04085 | GREASE NIPPLE | 1 |
| 12 | S01003 | NYLOC NUT | 18 |
| 13 | S01004 | SHIM Available 0.005 or 0.010 | AS REQ. |
| 14 | S01010 | INNER BEARING | 3 |
| 15 | S01011 | OUTER BEARING | 1 |
| 15A | S02295 | BOTTOM BEARING SUIT SQUARE CARTRIDGE H/DUTY S150 (28985 / 21) | 1 |
| 16 | S01012 | OUTER SEAL | 1 |
| 16A | S02296 | BOTTOM SEAL SUIT SQUARE CARTRIDGE H/DUTYH/DUTY S150 (Pr 5230) | 1 |
| 17 | S01015 | INNER SEAL | 3 |
| 18 | S01018 | BREATHER / FILLER PLUG | 1 |
| 19 | S01017 | OIL DRAIN / LEVEL PLUGS | 2 |
| 20 | S01013 | OUTPUT CARTRIDGE (SQUARE FLANGE SOME MODEL S) | 1 |
| 21 | S02213 | GEARBOX COMPLETE (1 : 1 ratio or 1 : 35) RND FLANGE CART. | 1 |
| 22 | S02280 | GEARBOX COMPLETE H/DUTY S150 SQ FLANGE LONG SERIES 1:35 RATIO (OBSOLETE) | 1 |



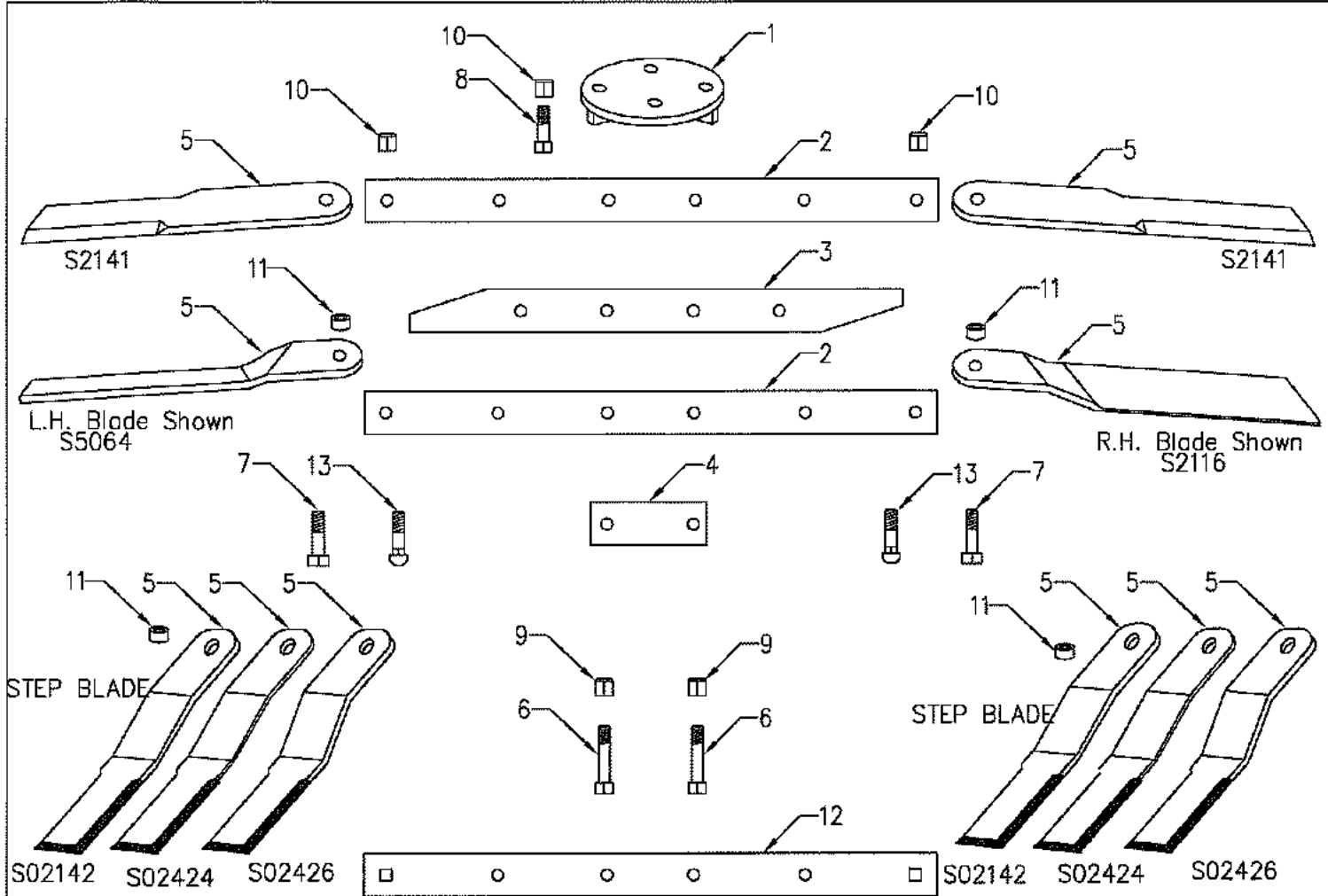
12', 15', 18', 20' COTTON SHREDDER BLADE LAYOUT

| ITEM No. | PART No. | DESCRIPTION | No. OFF |
|----------|----------|----------------------------|---------|
| 1 | S02426 | 3" STEP BLADES | 2 |
| 2 | S02427 | FIXED CUTTING BLADE (12") | 1 |
| 3 | S02428 | FIXED CUTTING BLADE (18") | 1 |
| 4 | S06079 | 3 x 3/4" UNC. BOLT (BLADE) | 2 |
| 5 | S02429 | 3/4" BUSH | 2 |
| 6 | S02430 | 2 1/2" x 3/4" UNC. BOLT | 2 |
| 7 | S05067 | 3/4" UNC. NUT (BLADE BOLT) | 4 |
| 8 | S02424 | 1 1/2" STEP BLADE | 2 |



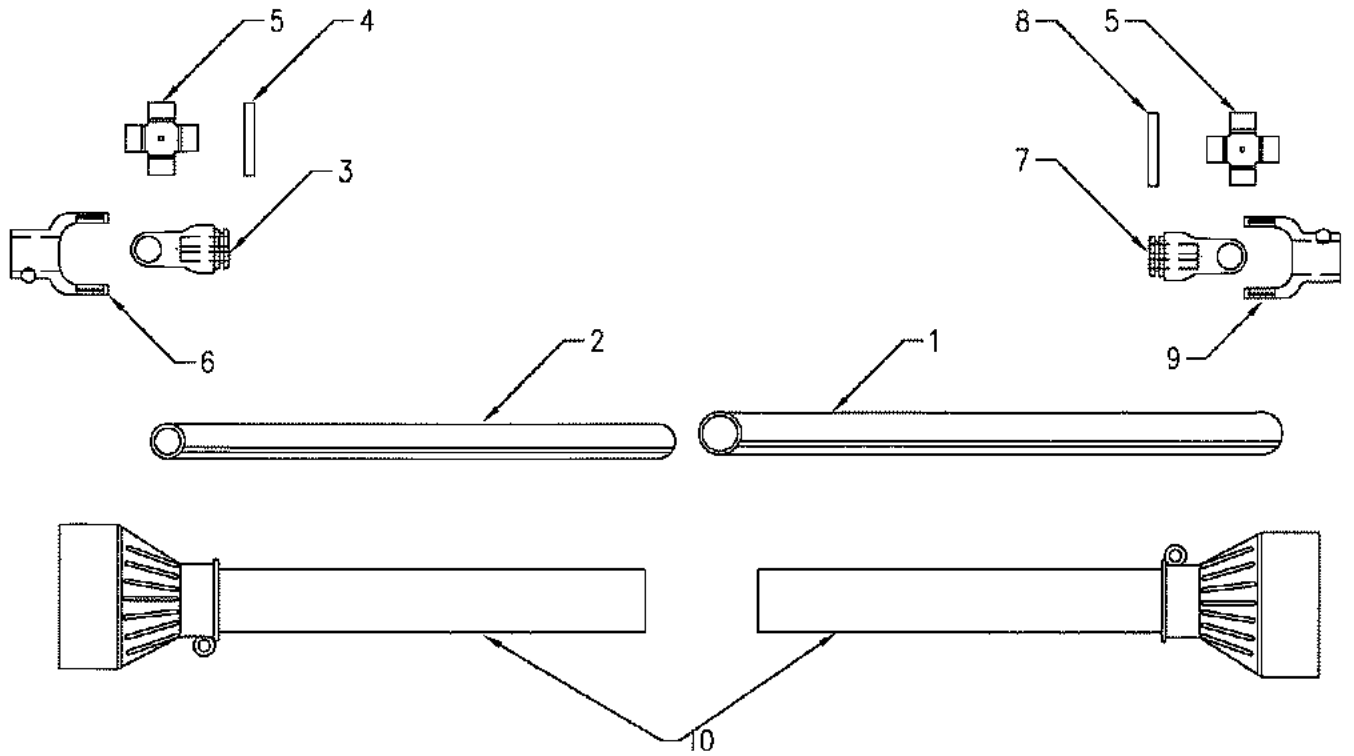
LX10, TX10 CUTTING HEAD ASSEMBLY

| ITEM No. | PART No. LX10, TX10 | DESCRIPTION | No. OFF |
|----------|------------------------|--|---------|
| 1 | S05060 | CUTTING HEAD BOX | 1 |
| 2 | S04058 | HEADFLAT TOP (RND HOLE) | 1 |
| 2 | S05058 | HEADFLAT TOP HEAVY DUTY (RND HOLE) | 1 |
| 3 | S04059 | SPACER 8m m | 2 |
| 3 | S05059 | SPACER HEAVY DUTY 16m m | 1 |
| 3 | S04061 | HEAD SPACER 10m m - "Y" | 2 |
| 4 | S04060 | RETAINING PLATE | 1 |
| 5 | S02141 | BLADE STRAIGHT 16m m | 2 |
| 5 | S02142 | BLADE 1 1/2" STEP LH & RH CUT 16m m | 2 |
| 5 | S05064 | BLADE SUCTION LIFT 16m m LH | 2 |
| 5 | S02116 | BLADE SUCTION LIFT 16m m RH | 2 |
| 5 | S02424 | BLADE 1 1/2" STEP LH & RH CUT 10m m - "Y" BLADES | 2 |
| 5 | S02426 | BLADE 3" STEP LH & RH CUT 10m m - "Y" BLADES | 2 |
| 6 | S05066 | BOLT CUTTING HEAD RETAINING | 2 |
| 6 | S06080 | BOLT CUTTING HEAD RETAINING - "Y" BLADES | 2 |
| 7 | S05068 | BOLT HEX. HEAD SUIT BLADE | 2 |
| 8 | S04055 | BOLT SUIT HEAD BOX | 2 |
| 9 | S04067 | NYLOC NUT SUIT RET. BOLT | 2 |
| 10 | S05067 | NYLOC NUT SUIT BLADE BOLT | 2 |
| 11 | S05069 | BLADE BUSH 16m m | 2 |
| 11 | S04068 | BLADE BUSH 10m m | 2 |
| 12 | S02112 | HEADFLAT BOTTOM (SQUARE HOLE) | 1 |
| 13 | S02115 | BOLT DOME HEAD | 2 |
| 14 | S02145 | CUTTING HEAD ASSY. COMPLETE | 2 |
| 15 | S02147 | CUTTING HEAD COMPLETE "Y" BLADE | 2 |



LX12, TX12 CUTTING HEAD ASSEMBLY

| ITEM No. | PART No. LX12, TX12 | DESCRIPTION | No. OFF |
|----------|------------------------|--|---------|
| 1 | S05060 | CUTTING HEAD BOX | 1 |
| 2 | S06054 | HEADFLAT TOP (RND HOLE) | 1 |
| 2 | S06060 | HEADFLAT TOP HEAVY DUTY (RND HOLE) | 1 |
| 3 | N/A | SPACER 8m m | 2 |
| 3 | S06055 | SPACER HEAVY DUTY 16m m | 1 |
| 3 | S06061 | HEAD SPACER 10m m - "Y" | 2 |
| 4 | S04060 | RETAINING PLATE | 1 |
| 5 | S02141 | BLADE STRAIGHT 16m m | 2 |
| 5 | S02142 | BLADE 1 1/2" STEP LH & RH CUT 16m m | 2 |
| 5 | S05064 | BLADE SUCTION LIFT 16m m LH | 2 |
| 5 | S02116 | BLADE SUCTION LIFT 16m m RH | 2 |
| 5 | S02424 | BLADE 1 1/2" STEP LH & RH CUT 10m m - "Y" BLADES | 2 |
| 5 | S02426 | BLADE 3" STEP LH & RH CUT 10m m - "Y" BLADES | 2 |
| 6 | S05066 | BOLT CUTTING HEAD RETAINING | 2 |
| 6 | S06080 | BOLT CUTTING HEAD RETAINING - "Y" BLADES | 2 |
| 7 | S05068 | BOLT HEX. HEAD SUIT BLADE | 2 |
| 8 | S04055 | BOLT SUIT HEAD BOX | 2 |
| 9 | S04067 | NYLOC NUT SUIT RET. BOLT | 2 |
| 10 | S05067 | NYLOC NUT SUIT BLADE BOLT | 2 |
| 11 | S05069 | BLADE BUSH 16m m | 2 |
| 11 | S04068 | BLADE BUSH 10m m | 2 |
| 12 | S06056 | HEADFLAT BOTTOM (SQUARE HOLE) | 1 |
| 13 | S02115 | BOLT DOME HEAD | 2 |
| 14 | S02144 | CUTTING HEAD ASSY. COMPLETE | 2 |
| 15 | S02147 | CUTTING HEAD COMPLETE "Y" BLADE | 2 |

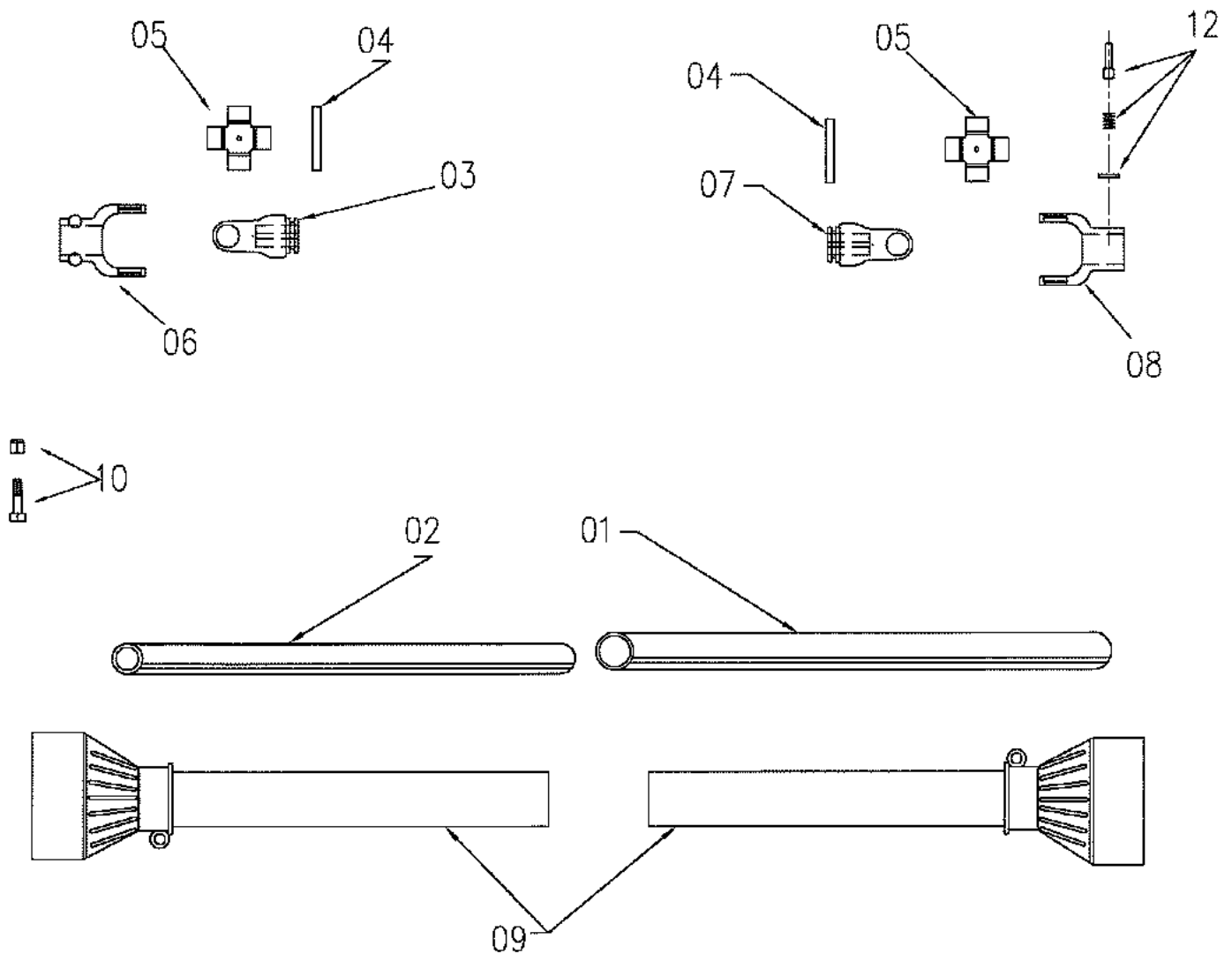


PLEASE NOTE:

- * A7 SERIES DRIVESHAFT ASSEMBLY IS NO LONGER AVAILABLE.
- * PLEASE REFER DETAILS OF A8 SERIES DRIVESHAFT ASSEMBLY ON PAGE 25A WHICH IS AN UPGRADE FROM A7 SERIES.
- * THE SPARE PARTS FOR A7 SERIES ARE STILL AVAILABLE.
- * WHEN ORDERING SPARES FOR A7 SERIES DRIVESHAFTS PLEASE MEASURE CUP DIA 30.26mm FOR A7 OLDER SERIES AND 35mm FOR A7 LATEST SERIES. THIS WILL ENSURE CORRECT PARTS ARE DESPATCHED PROMPTLY.

LX10, LX12 - DRIVESHAFTS A7 SERIES

| ITEM No. | Part No. A7 Old Series | Part No. A7 New Series | DESCRIPTIONS | No. OFF |
|-----------------|-----------------------------------|-----------------------------------|--|----------------|
| 1 | S07070 | S07070 | DRIVESHAFT OUTER TUBE | 1 |
| 2 | S07069 | S07069 | DRIVESHAFT INNER TUBE | 1 |
| 3 | S07079 | S07089 | DRIVESHAFT TUBE YOKE (INNER) | 1 |
| 4 | S07073 | S07073 | DRIVESHAFT ROLL PIN | 1 |
| 5 | S07081 | S07090 | DRIVESHAFT UNIVERSAL | 2 |
| 6 | S07068 | S07091 | DRIVESHAFT QR YOKE (1 3/8 X 6) | 1 |
| 7 | S07080 | S07092 | DRIVESHAFT TUBE YOKE (OUTER) | 1 |
| 8 | S07074 | S07074 | DRIVESHAFT ROLL PIN | 1 |
| 9 | S07067 | S07093 | DRIVESHAFT QR YOKE (1 3/4 X 20) | 1 |
| 10 | S07087 | S07098 | COVER ASSEMBLY COMPLETE | 1 |
| 11 | S07066 | S07096 | DRIVESHAFT COMPLETE (1 3/8.....1 3/4) | (1-11) |
| 12 | S07065 | S07097 | DRIVESHAFT COMPLETE (1 3/8.....1 3/8) | (1-11) |

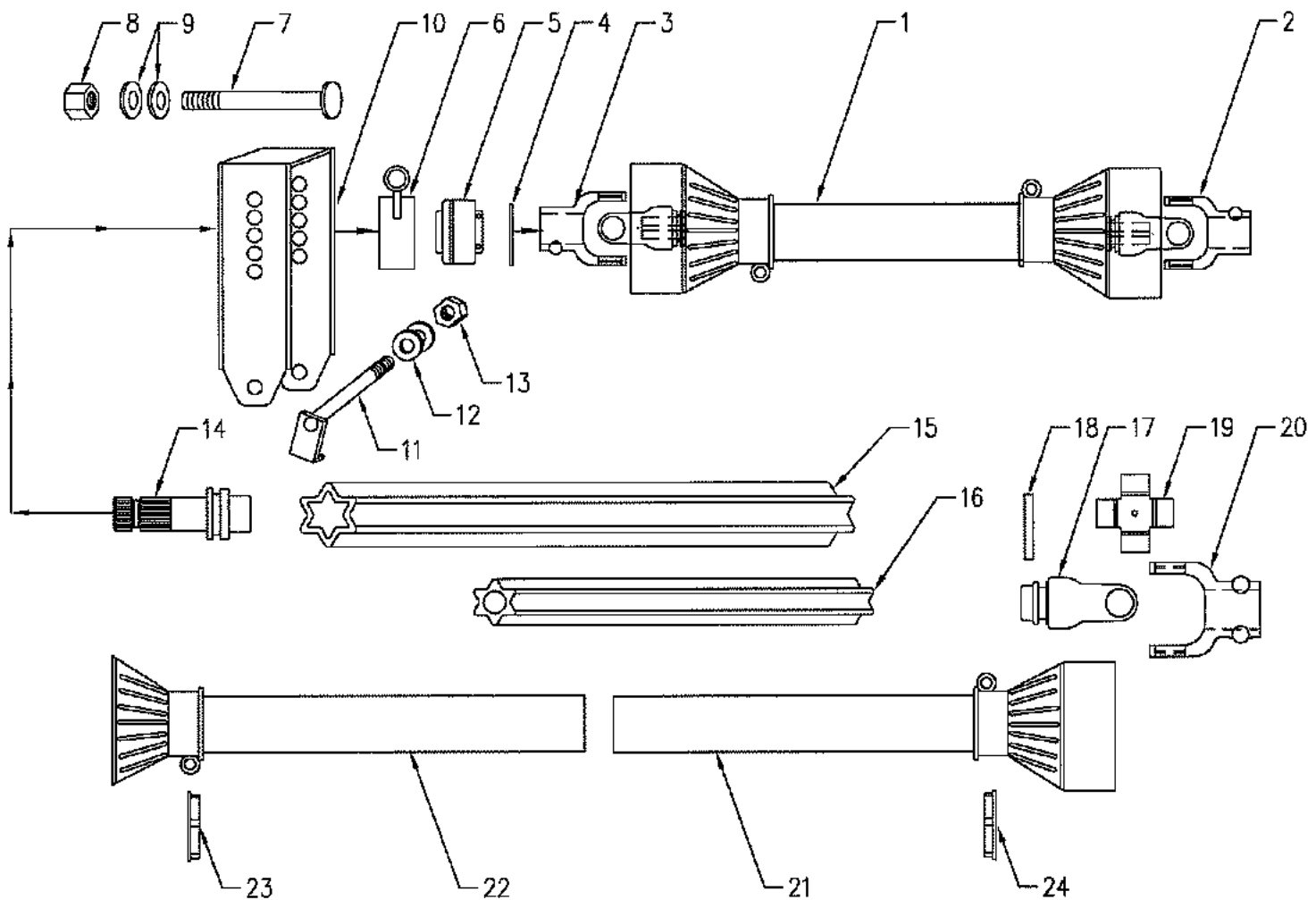


PLEASE NOTE:

* A8 SERIES DRIVE SHAFT IS USED AS AN UPGRADE FROM A7 SERIES.

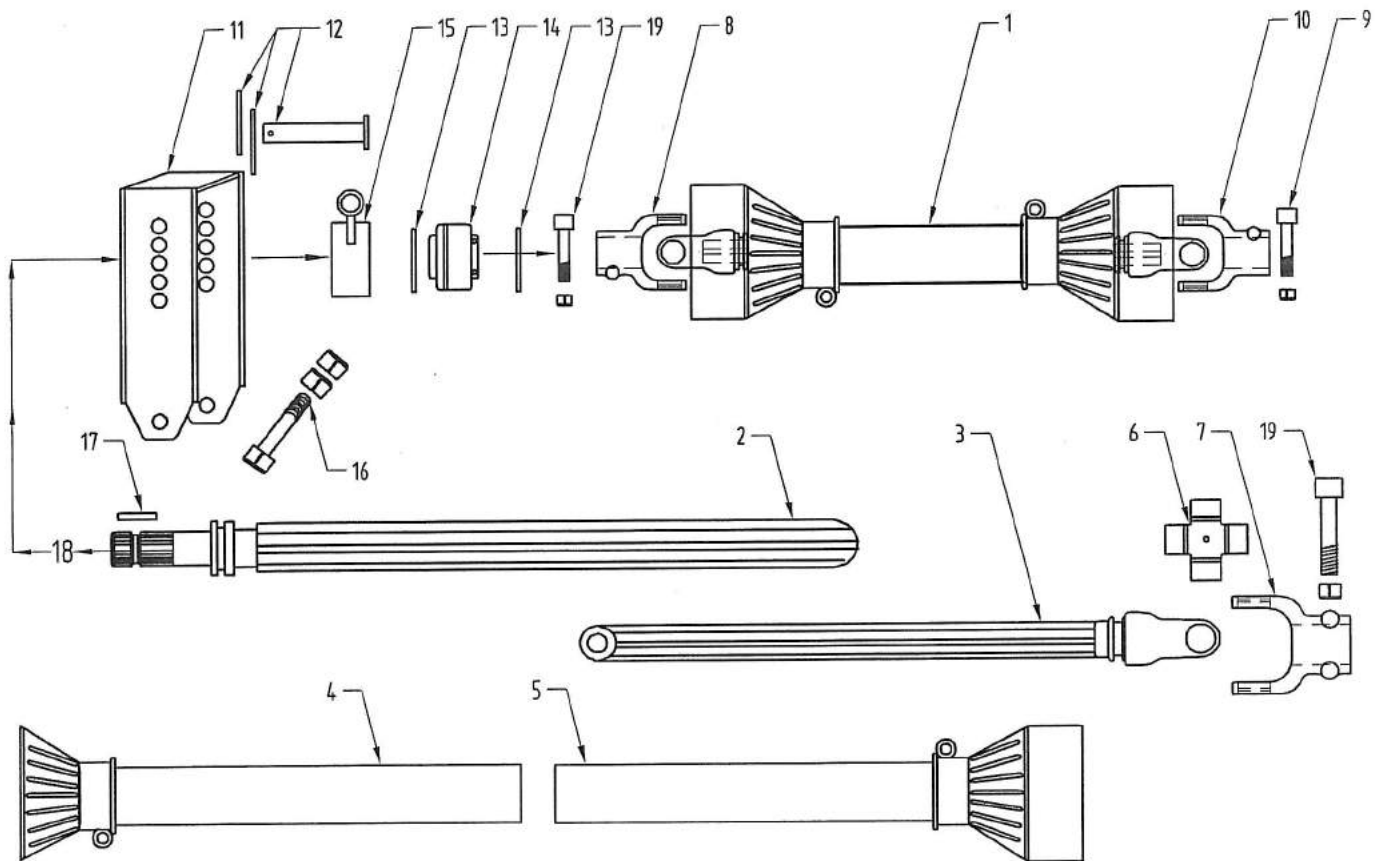
* PLEASE REFER PAGE 25 FOR DETAILS ON A7 SERIES WHICH IS NO LONGER AVAILABE AS A WHOLE ASSEMBLY, HOWEVER, THE SPARE PARTS FOR A7 SERIES ARE STILL AVAILABLE.

| DRIVESHAFTS A8 SERIES - LX10, LX12 | | | |
|------------------------------------|----------|---|-----------|
| ITEM No. | PART No. | DESCRIPTION | QTY. OFF. |
| 1 | S07415 | DRIVESHAFT B/CO 8 SERIES DRIVE SHAFT OUTER TUBE | 1 |
| 2 | S07416 | DRIVESHAFT B/CO 8 SERIES DRIVE SHAFT INNER TUBE | 1 |
| 3 | S07417 | DRIVESHAFT B/CO 8 SERIES DRIVE SHAFT TUBE YOKE (INNER) | 1 |
| 4 | S07418 | DRIVESHAFT B/CO 8 SERIES DRIVE SHAFT ROLL PIN | 2 |
| 5 | S07419 | DRIVESHAFT B/CO 8 SERIES DRIVE SHAFT UNIVERSAL | 2 |
| 6 | S07420 | DRIVESHAFT B/CO 8 SERIES DRIVE SHAFT QR YOKE (1 3/8" X 6") | 1 |
| 7 | S07421 | DRIVESHAFT B/CO 8 SERIES DRIVE SHAFT TUBE YOKE (OUTER) | 1 |
| 8 | S07422 | DRIVESHAFT B/CO 8 SERIES DRIVESHAFT PB YOKE (1 3/4 X 20) | 1 |
| 9 | S07185 | DRIVESHAFT BINNACCHI A6, A7 & A8 COVER ASSY. COMPLETE | 1 |
| 10 | S07425 | DRIVESHAFT B/CO 8 SERIES DRIVESHAFT NUT AND BOLT | 2 |
| 11 | S07222 | DRIVESHAFT B/CO 8 SERIES DRIVESHAFT COMPLETE (1 3/8" X 1 3/4") | 1 |
| 12 | S07427 | DRIVESHAFT B/CO 8 SERIES DRIVESHAFT YOKE PIN, SPRING, WASHER | 1 |



TX10, TX12 - DRIVESHAFT 2500 Walterschied SERIES

| ITEM No. | PART No. | DESCRIPTION | QTY. OFF |
|----------|----------|--|----------|
| 1 | S01717 | FIXED DRIVESHAFT WALTERSCHIED 1066 Long | 1 |
| 2 | S01732 | DRIVESHAFT YOKE 1 3/8 X21 QR. Suit Small 1000 Rpm. | 1 |
| 2 | S01722 | DRIVESHAFT YOKE 1 3/4 x 20 QR. Suit Lge 1000Rpm. | 1 |
| 3 | S01753 | DRIVESHAFT YOKE 1 3/4 x 20 CLAMP 36mm | 1 |
| 4 | S02292 | BEARING CIRCLIP | 1 |
| 5 | S02293 | BEARING 1 3/4" Id. | 1 |
| 6 | S02365 | BEARING HOUSING Suits 1" Pin | 1 |
| 7 | S02368 | PIVOT PIN 1" Suits Bearing Housing | 1 |
| 8 | S05067 | NYLOC NUT 3/4 Unc | 1 |
| 9 | S04083 | WASHER | 2 |
| 10 | S02366 | BEARING CARRIER | 1 |
| 11 | S02367 | HINGE PIN 3/4" | 1 |
| 12 | S04083 | WASHER | 2 |
| 13 | S05067 | NYLOC NUT 3/4" Unc | 1 |
| 14 | S01757 | SPIGOT 1 3/4 x 20 W/SCHD. Weld in Type | 1 |
| 15 | S01760 | OUTER TUBE STAR Pattern W/Schd. | 1 |
| 16 | S01759 | INNER TUBE STAR Pattern W/ Schd. | 1 |
| 17 | S01762 | YOKE Suits Inner Tube Star Pattern W/Schd. | 1 |
| 18 | S01758 | ROLL PIN | 1 |
| 19 | S01754 | UNIVERSAL JOINT W/Schd. | 1 |
| 20 | S01753 | DRIVESHAFT YOKE 1 3/4 x 20 CLAMP 36mm | 1 |
| 21 | S01745 | INNER COVER Suits Jackshaft | 1 |
| 22 | S01743 | OUTER COVER Suits Jackshaft | 1 |
| 23 | S01794 | BEARING Nylon Suits Inner Cover W/Schd. | 1 |
| 24 | S01795 | BEARING Nylon Suits Inner Cover W/Schd. | 1 |



TX10, TX12 - DRIVESHAFT JAYBEN (OLD STYLE)

| ITEM No. | PART No. TX10 | PART No. TX12 | DESCRIPTION | QTY. OFF |
|----------|------------------|------------------|---------------------------------------|----------|
| 1 | S5110 | S5110 | FIXED SHAFT | 1 |
| 2 | S5170 | S5170 | JACKSHAFT TUBE ASSEMBLY | 1 |
| 3 | S5131 | S5132 | BAR YOKE ASSEMBLY | 1 |
| 4 | S5022 | S5022 | FEMALE COVER ASSEMBLY | 1 |
| 5 | S5021 | S5021 | MALE COVER ASSEMBLY | 1 |
| 6 | S5160 | S5160 | UNIVERSAL JOINT | 3 |
| 7 | S5176 | S5176 | 1 3/4" x 20 SPLINE CLAMP YOKE | 2 |
| 8 | S5176 | S5176 | 1 3/4" x 20 SPLINE CLAMP YOKE | 1 |
| 9 | S3042 | S3042 | QR PIN ASSEMBLY | 1 |
| 10 | S5162 | S5162 | 1 3/8" x 6 SPLINE QUICK RELEASE YOKE | 1 |
| 10 | S5166 | S5166 | 1 3/8" x 21 SPLINE QUICK RELEASE YOKE | AS REQ. |
| 10 | S5174 | S5174 | 1 3/8" x 20 SPLINE QUICK RELEASE YOKE | AS REQ. |
| 11 | S2290 | S2290 | BEARING CARRIER | 1 |
| 12 | S2291 | S2291 | BEARING HOUSING PIVOT PIN | 1 |
| 13 | S2292 | S2292 | CIRCLIP | 1 |
| 14 | S2293 | S2293 | BEARING | 1 |
| 15 | S2294 | S2294 | BEARING HOUSING | 1 |
| 16 | S2295 | S2295 | HINGE BOLT & NUT ASSEMBLY | 2 |
| 18 | S5181 | S5181 | WELD IN SPIGOT 1 3/4" x 20 SPLINE | 1 |
| 19 | S3041 | S3041 | CLAMP BOLT & NUT ASSEMBLY | 2 |