



Swift Roller Mower

Winged, Three Point Linkage

The Swift winged roller mower delivers the all-important after-cut appearance with ease. The three-point linkage system allows close attachment to the tractor unit for easier towing and safer road transport.

The combination of 60mm blade overlap with high blade tip speeds consistently delivers a professional, striped finish. The Swift range of roller mowers are engineered to deliver an impeccable cut in the best way possible.



All Swift roller mowers are built using Strenx™ 700 MC high performance steel and hot-dipped galvanised to EN ISO1461:2009 specifications. These standard features on MAJOR products double machine lifespan and enable a high trade-in value.

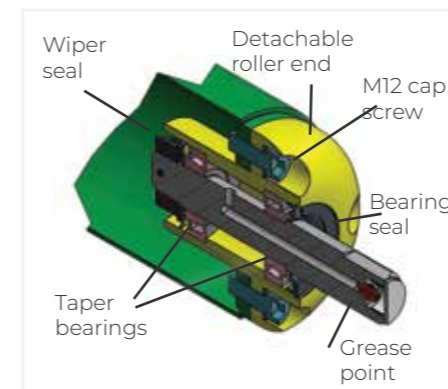
The wings lock into a neat 1.9m transport width allowing for easy access through tight spaces. The LED road lighting kit ensures safe and high visibility movement between sites.

The construction, the thickness of the steel, the quality of the gearboxes, and the ease of maintenance of our Major Swift has been impressive. We've been very happy with how it has operated and we believe that we've got our moneys worth.

ANDY KNIGHT, GROUNDS MAINTENANCE, NILLUMBIK SHIRE COUNCIL

Features

- ✓ Hot-dipped galvanised finish for extended machine life
- ✓ Walterscheid PTO drive shafts fitted as standard
- ✓ Simple height adjustment from 10-130mm for versatile and year round mowing
- ✓ 60mm blade overlap for a pristine finish
- ✓ Sealed internal roller bearings for total protection against moisture, soil and debris
- ✓ Full-length rollers follow the ground contours and limits scalping
- ✓ 3-year MAJOR warranty



Internal roller bearings (on all MAJOR Swift and Synergy mowers)



Two in one blade system, rigid and swinging



10-130mm height adjustment for year round mowing

Model	MJ71-340	MJ71-400	MJ71-540
Overall Width	3.48m (11' 5")	4.16m (13' 8")	5.54m (18' 2")
Working Width	3.40m (11' 2")	4.00m (13' 1")	5.40m (17' 9")
Transport Width	1.90m (6' 3")	1.90m (6' 3")	1.90m (6' 3")
Power (HP)	40-90 HP	50-100 HP	50-120 HP
PTO rpm	540	540	1000
Cutting Height	10-130mm	10-130mm	10-130mm
Rotors	5	6	8
Blades	10	12	16
Weight	940kg	1100kg	1270kg
Blade tip speed	75 m/s	75 m/s	75 m/s
Mowing Rates (Acres/hr at 7mph)	9.5	11.4	15.1