

# INSTRUCTION MANUAL AND PARTS LIST

FOR  
PASTURE TOPPER MODELS MK111

PBL2180 - PBL230

PBL300 - PBL360



# INDEX

	<b>PAGE</b>
• <b>CORPORATE PHILOSOPHY</b>	1
• <b>OPERATIONAL SAFETY INSTRUCTIONS</b>	2 - 4
• <b>OPERATING INSTRUCTIONS</b>	5 - 6
• <b>MAINTENANCE SCHEDULE</b>	7
• <b>BODY COMPONENTS - PBL 2180, PBL 230</b>	8 - 9
• <b>BODY COMPONENTS - PBL 300, PBL 360</b>	10 - 11
• <b>CENTRE GEARBOX Bare 75 Hp 1:93 Ratio</b>	12
• <b>CENTRE GEARBOX Bare 75 Hp 1:46 Ratio</b>	13
• <b>VEE BELTS</b>	14
• <b>DRIVESHAFT FRONT MAIN</b>	15
• <b>REAR CASTOR WHEEL 400 x 8 Options</b>	16
• <b>REAR WHEEL PNEUMATIC 600 x 9</b>	17
• <b>CASTOR ASSEMBLY</b>	18
• <b>CARTR &amp; PULL ASSY'S, CUTTING HEAD OPTIONS</b>	19
• <b>BELT TENSIONER ASSEMBLY</b>	20
• <b>OWNERS NOTES / WARRANTY CARD</b>	21

# OPERATING INSTRUCTIONS FOR PBL 2180, PBL 230, PBL 300, PBL 360 - PASTURE TOPPER

Getting the best of your Superior

PBL 2180, PBL 230, PBL 300, PBL360 - PASTURE TOPPERS

## **SETTING UP :**

### **INITIAL START UP**

Check Gearboxes for oil                    :: Recommended OIL

:- 85w -- 140 EP GEAR OIL

Grease all grease points                :: Recommended Grease

:- All Purpose Grease EPL 2

See Maintenance Schedule Attached

### **ATTACHING TRACTOR**

Connect tractor to T.P.L. lower link pins, the Pasture Topper is fitted with a stepped pin which will fit either cat 1, 22 mm ( 7/8" ) or cat 2, 30 mm ( 1 1/8" ). Make sure tractor is fitted to correct size and place lynch pin in hole end of pin.

Tighten Anti-Sway Bars / Chains ( must be firm, not rigid )

Connect Top Link to Tower.

Connect Driveshaft to P.T.O. on Tractor and Clutch / Gearbox on Pasture topper, make sure Clamp Bolts and or Q.r. Pins are located in respective grooves. ( Failure to do this will result in Driveshaft Damage ).

Tractor Lift Arms can vary in length. CHECK OPERATIONAL LENGTH OF DRIVESHAFT BEFORE OPERATING PASTURE TOPPER.

Check length of Driveshaft at the highest and lowest positions of Tractor Lift arms.

The Driveshaft requires Sliding Movement of approx. 100 mm ( 4" ) to avoid bottoming or pulling apart at maximum operational lengths.

Caution Entering & Exiting Steep Gully's or Steep Ridges may result in Drive Shaft Bottoming out or Coming Apart, Check Drive Shaft Length before using Pasture topper in Extreme Conditions.

### **SETTING UP PASTURE TOPPER**

Your Superior Pasture topper will cut cleanest and requires less H.P. to drive when the front of the Pasture topper is set the same height as the rear.

Your Superior Pasture topper is fitted with Bar type stepped suction lift blades as standard, or Discs with Swing type stepped suction lift blades, these will require the Pasture topper to be set level front and rear.

The Pasture topper will cut cleanest when set level or slightly down in the front, Mowers that are set with the rear lower than the front will not cut clean, trial the Pasture topper at different settings, Adjust this setting to achieve the desired cutting result for your conditions.

### **SETTING UP PASTURE TOPPER WITH REAR CASTOR WHEELS**

Use the rear wheel adjustment to set the correct stance of the Pasture topper , Your Superior Pasture topper is fitted with Bar type stepped suction lift blades as standard, or Discs with Swing type stepped suction lift blades, these will require the Pasture topper to be set level front and rear.

Adjust the Top Link to allow the Pasture topper to hinge at the tractor lower lift arms, so that the Pasture topper can follow reasonable ground contours. If top link is too short the Pasture topper will tend to lift off the ground resulting in an uneven cut.

**CAUTION** If top link is too long it may allow the Pasture topper to lift too high at the front which will cause damage to DRIVESHAFT safety covers or will result in bending DRIVESHAFT, requiring costly repairs.

## OPERATION

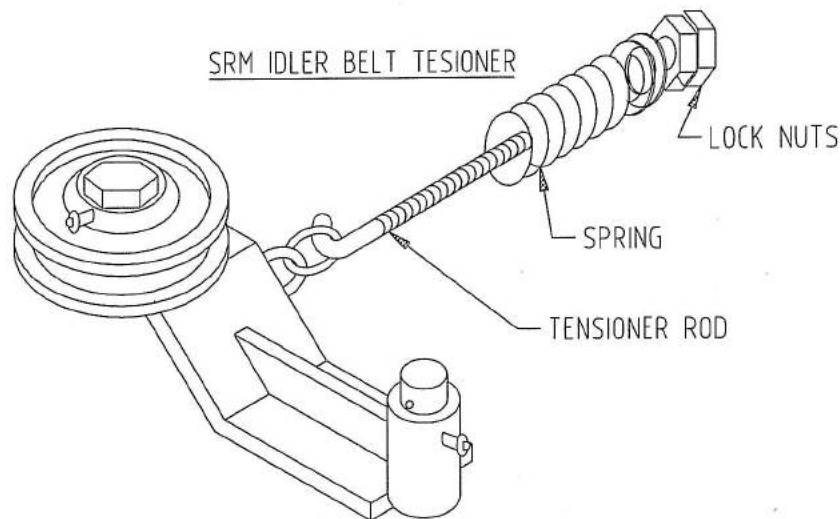
Your Superior Pasture topper will be set up in the factory to suit your tractor's particular P.T.O. either 540 rpm or 1000 rpm.

For best mowing results maintain correct P.T.O. speeds.

In heavy going or awkward areas change back a gear or reduce forward speeds rather than reduce P.T.O. speed by throttling back.

## BELT ADJUSTMENT PASTURE TOPPER

Belt tensioning on Pasture Topper is carried out by adjusting the tensioning rod nut on the idler pulley. Undo the lock nut and tighten nut until spring is compressed to  $\frac{1}{2}$  its length, this will give enough tension on the belt to stop belt slippage. Caution over tensioning of belts can result in premature failure of bearing and other components. ( Correct tension approx. 12 mm of movement see diag.) Check for belt wear & tear before retensioning & replace worn parts as required.



## GENERAL MAINTENANCE

It is important that after approx. 30 to 60 minutes operation you should stop the Pasture topper and check all bolts and nuts for tightness. While all bolts are tightened on assembly, impact and working loads cause bedding in of components and early attention to all bolt and nuts will ensure trouble free operation of your Pasture topper.

Particular attention should be paid to clamp bolt, clutch bolts, cutting head bolts, blade bolts and nuts, as well as wheel nuts, bearings and castor assembly components.

Early inspection of components after initial start up, and adherence to the lubrication recommendations, will greatly assist in maintaining the durability of your investment.

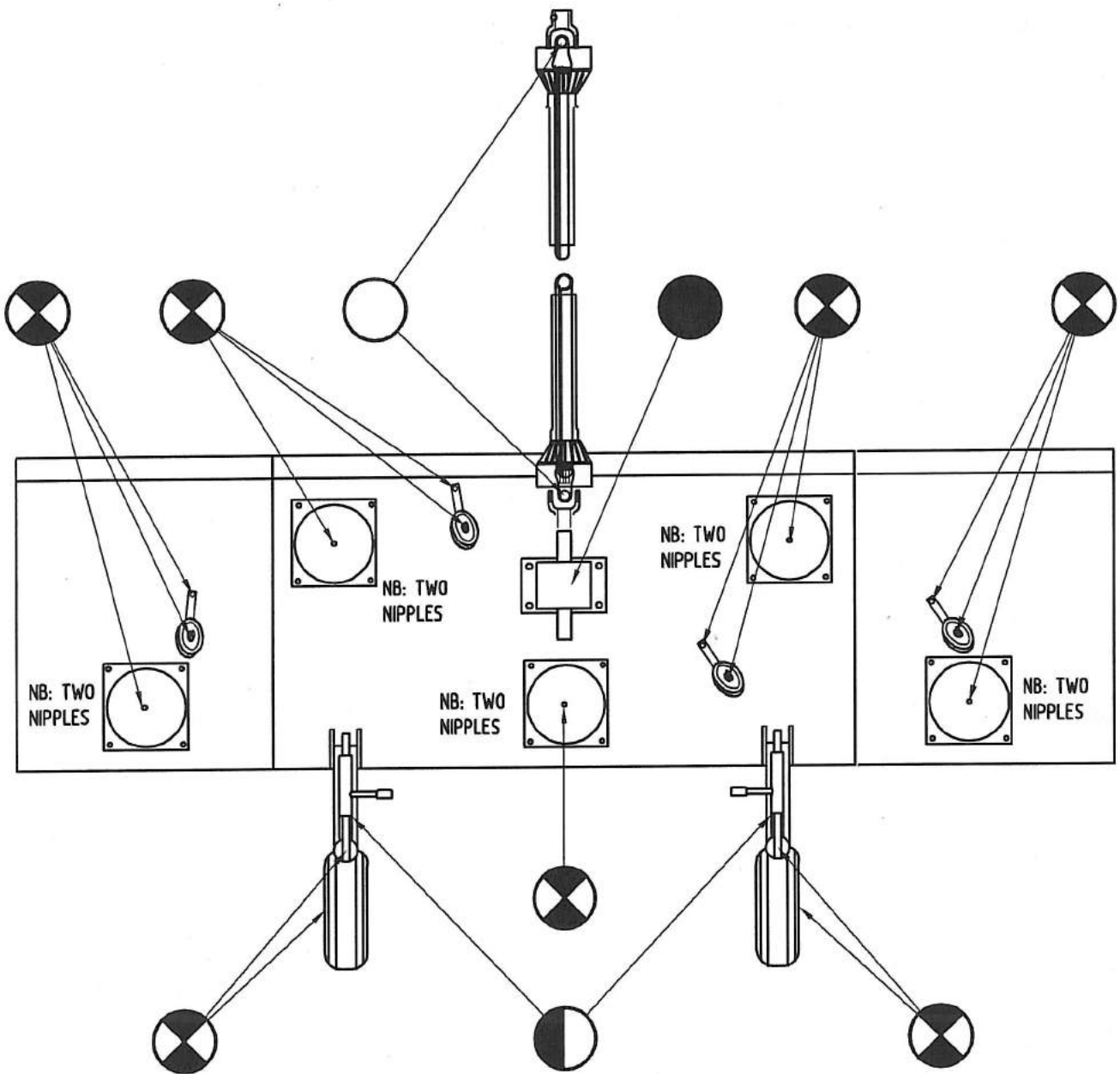
READ MAINTENANCE SCHEDULE for CORRECT LUBRICATION INTERVALS

## WARRANTY

Your Superior Product is covered by **Manufacturers Warranty of 180 days** against faulty parts and or workmanship. Warranty does not cover operator abuse, or damage to the cutting head assembly ( head flats, blades etc. ) Should a warranty type problem develop with your new Mower **contact your local dealer** who will refer the problem to SUPERIOR EQUIPMENT. Items for any warranty inspection must be **forwarded on a pre-paid basis. Goods supplied are on a charge basis, subject to warranty inspection.**

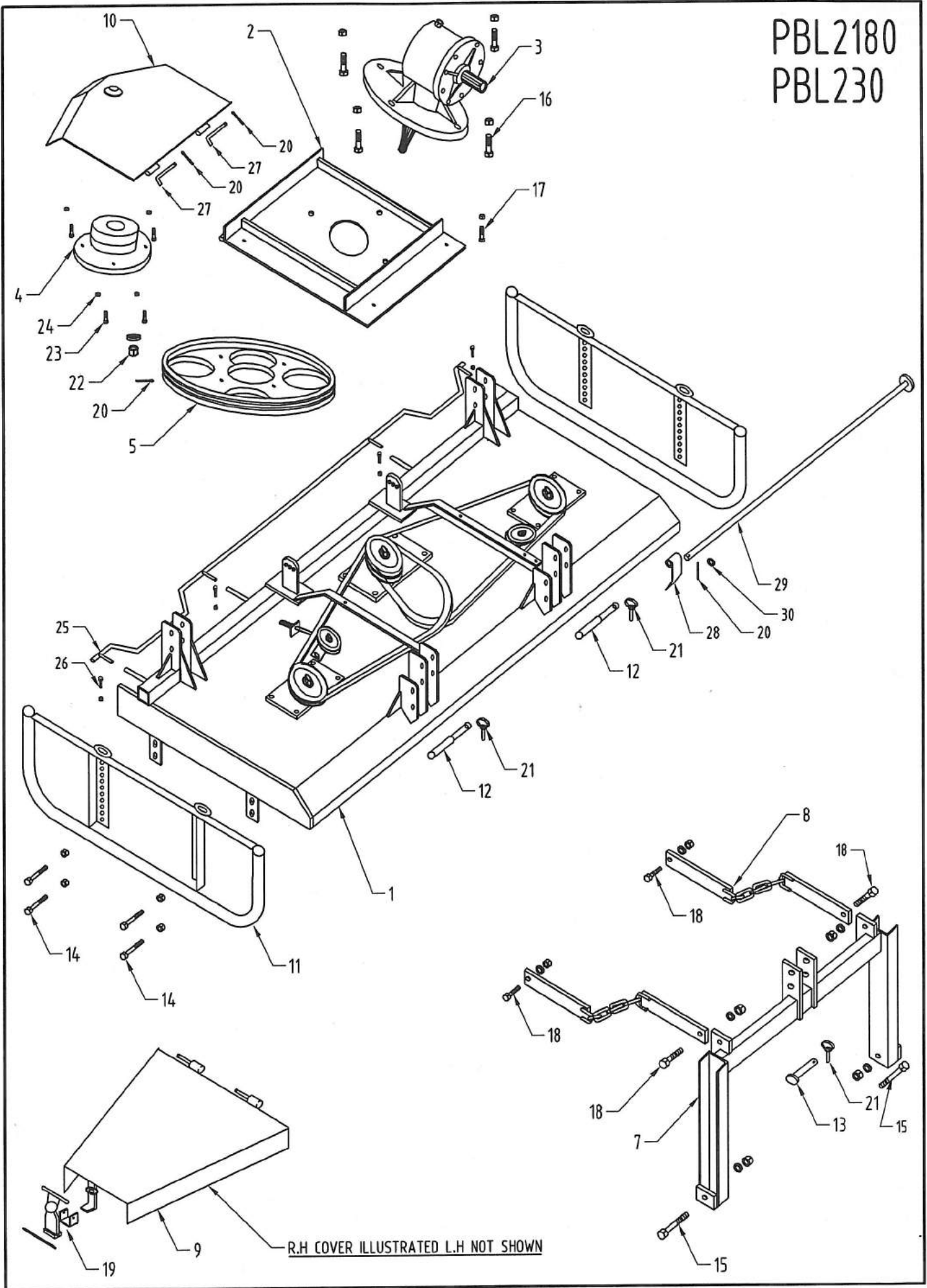
( See page 1 for Corporate Philosophy / Warranty / Liability )

# SUPERIOR ROTARY SLASHERS MAINTENANCE SCHEDULE TO SUIT PBL2180-230-300-360



-  GREASE TWICE DAILY
-  GREASE DAILY
-  GREASE ONCE WEEKLY
-  CHECK OIL DAILY 85W - 140 EP GEAR OIL CHANGE EVERY 6 MONTHS

PBL2180  
PBL230

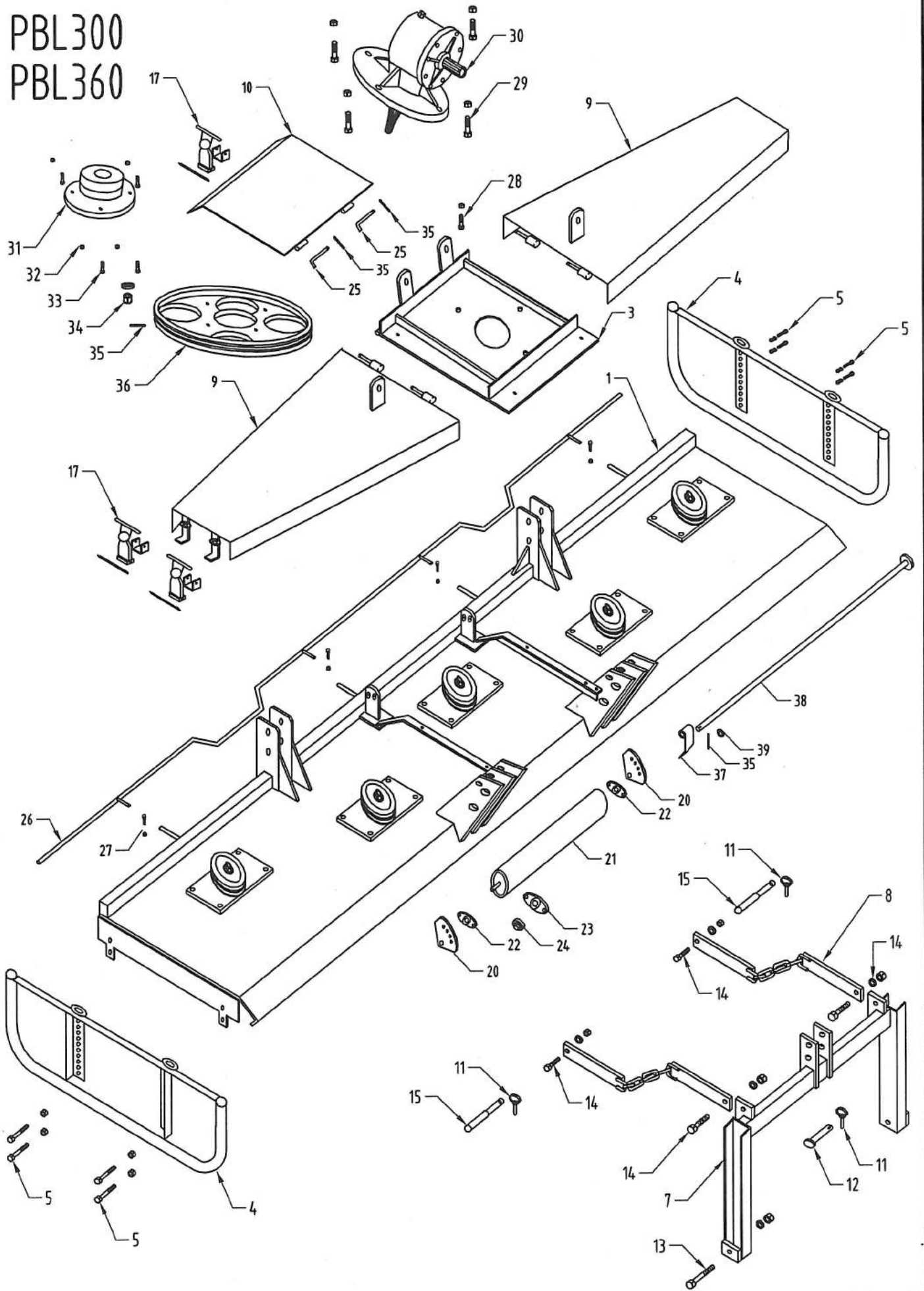


R.H COVER ILLUSTRATED L.H NOT SHOWN

## MAIN BODY - PBL2180, PBL230

ITEM No	PART No. PBL2180	PART No. PBL 230	DESCRIPTION	QTY. OFF
1	S4275	S3816	MAIN BODY	1
2	S1647	S1647	GEARBOX MOUNTING PLATE	1
3	S6178	S6180	GEARBOX	1
4	S3918	S3918	GEARBOX PULLEY ADAPTOR	1
5	S3686	S3686	MAIN DRIVE PULLEY 16"	1
7	S7034	S7034	T.P.L. TOWER	1
8	S3746	S3745	T.P.L. CHAINS	2
9	S1603	S3759	SIDE BELT COVER (R.H.)	1
9A	S1604	S3758	SIDE BELT COVER (L.H. NOT SHOWN)	1
10	S1654	S1653	BELT COVER REAR	1
11	S1680	S3728	SKIDS	2
12	S7008	S7008	T.P.L. PIN	2
13	S4132	S4132	TOP LINK PIN	1
14	S3539	S3539	SKID RETAINING BOLTS	8
15	S3557	S3557	TOWER RETAINING BOLTS	2
16	S4055/S5067	S4055/ S5067	GEARBOX RETAINING BOLTS & NYLOC	4
17	S3340/S1003	S3340/S1003	GBOX MOUNT PLATE RETAINING BOLTS & NUT	4
18	S3536	S3536	TOWER CHAINS RETAINING BOLTS & NUT	4
19	S3906	S3906	BONNET CATCH COMPLETE	3
20	S4054	S4054	COTTER PIN	3
21	S4011	S4011	LYNCH PINS	3
22	S4053	S4053	RETAINING NUT	1
23	S3310	S3310	RETAINING BOLTS (Suit pulley hub)	4
24	S1024	S1024	NYLOC NUT	4
25	S4326	S4327	REAR SAFETY TUBE/BAR	1
26	S3296	S3296	BOLT & NYLOC NUT	4
27	S4299	S4299	PIN Suits Rear Cover	2
28	S4332	S4332	DEFLECTOR PADDLES	AS REQ.
29	S4333	S4334	3/4" Dia Bar Suit Deflector PADDLES	1
30	S4226	S4226	WASHER	1

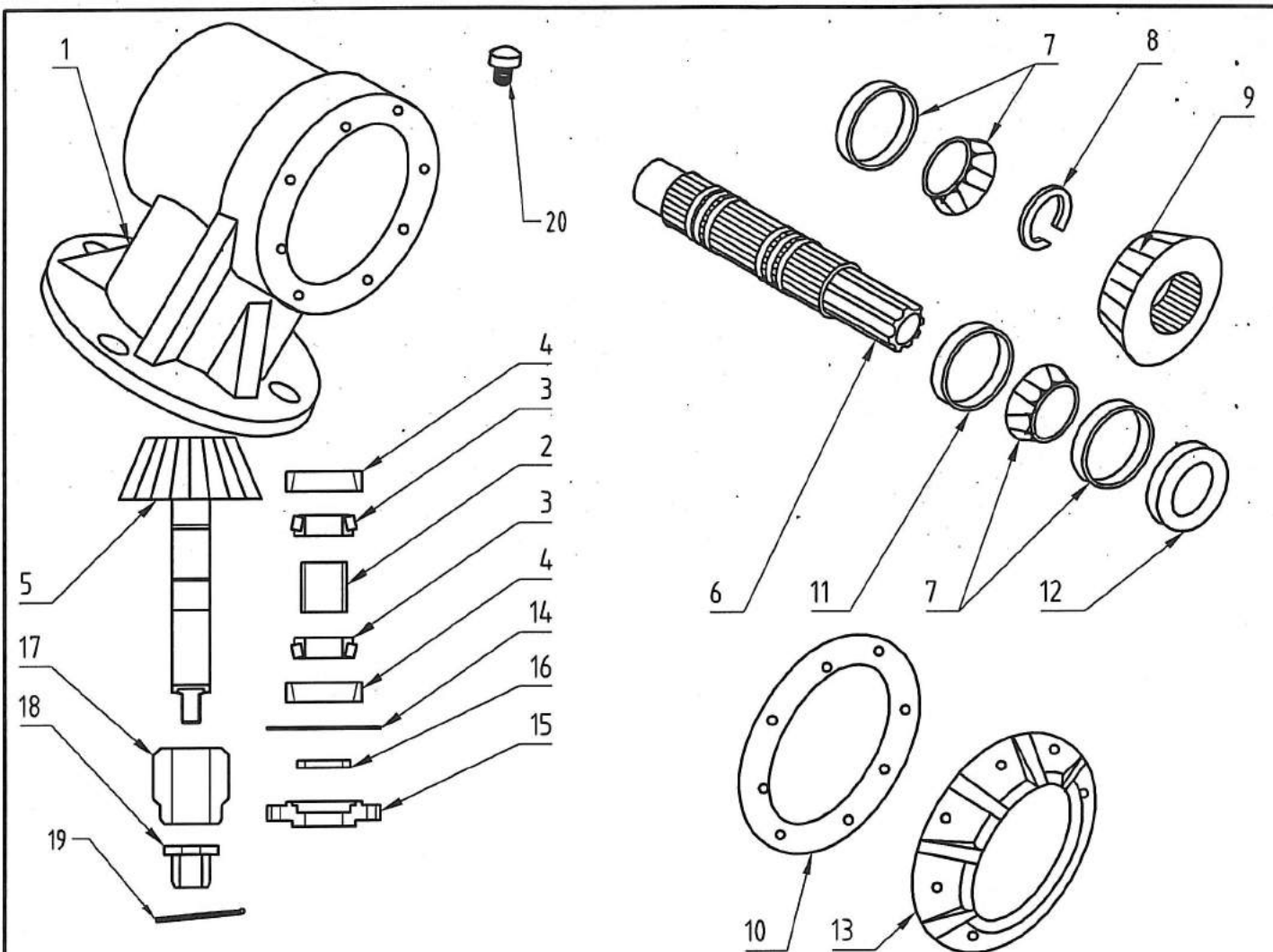
PBL300  
PBL360





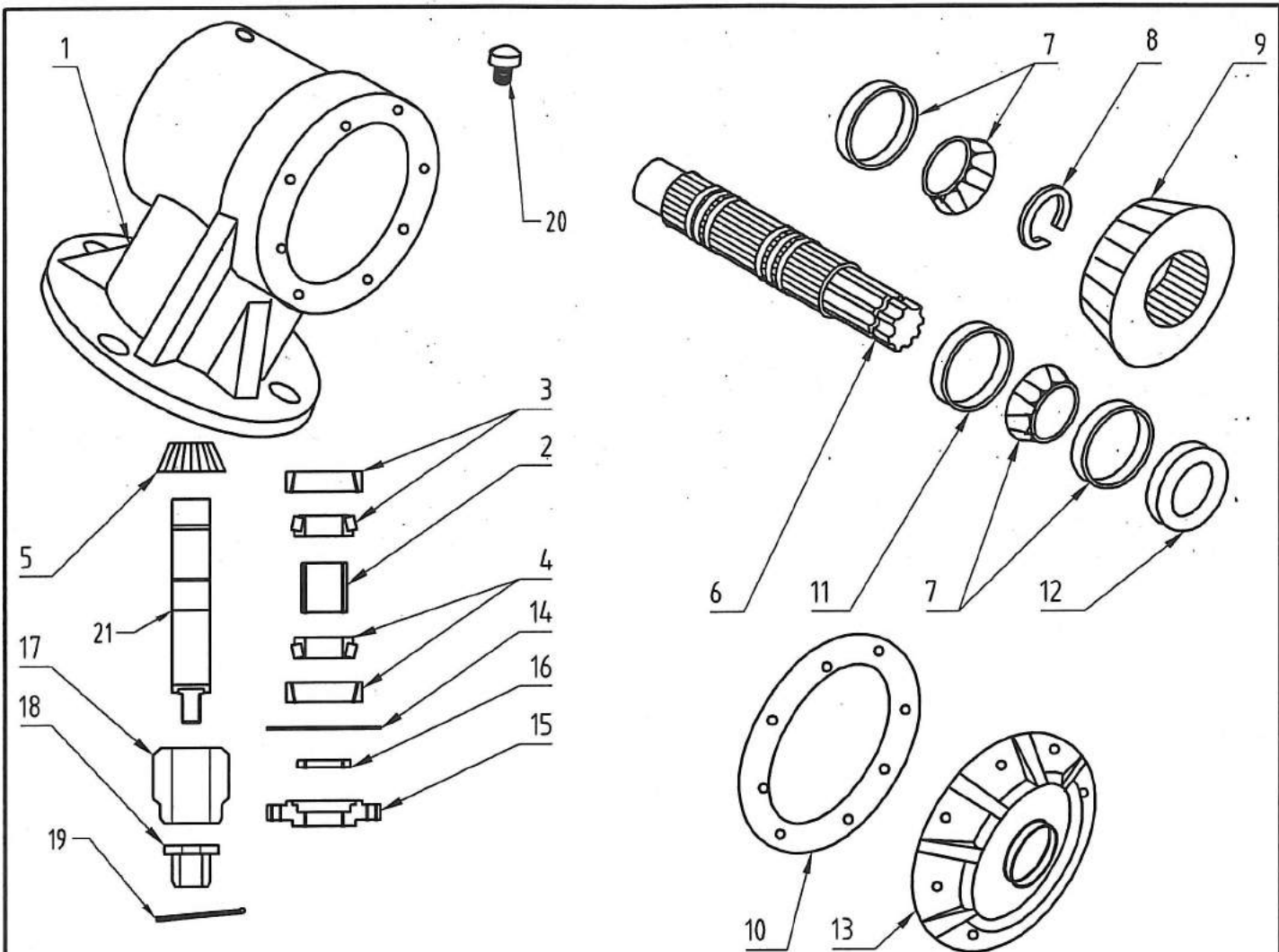
## MAIN BODY - PBL300, PBL360

ITEM No.	PART No. PBL 300	PART No. PBL 360	DESCRIPTION	QTY. OFF
1	S3817	S3821	MAIN BODY	1
3	S1647	S1647	GEARBOX MOUNTING PLATE	1
4	S4268	S4266	ADJUSTABLE SKID	2
4A	S4267	S4265	ADJUSTABLE SKID (SKID MODELS ONLY)	2
5	S3539	S3539	SKID RETAINING BOLTS & NUT	8
7	S7034	S7034	T.P.L. TOWER	1
8	S3746	S3745	T.P.L. CHAINS	2
9	S4274 / S4273	S4263 / S4264	SIDE BELT GUARDS ( LH / RH)	2
10	S3754	S3755	REAR BELT GUARD	1
11	S4011	S4011	LYNCH PIN	3
12	S4009 / S4132	S4009 / S4132	TOP LINK PIN (Advise Size 3/4" or 1")	1
13	S3557	S3557	BOLT, WASHER & NUT (SIZE)	2
14	S3536	S3536	BOLT, WASHER & NUT (SIZE)	2
15	S7008	S7008	T.P.L. PIN	2
17	S3906	S3906	BONNET CATCH COMPLETE	5
20	S6824	S6824	ROLLER BRACKET (OPTIONAL)	2
21	S1653	S1654	FRONT ROLLER (OPTIONAL)	1
22	S1607	S1607	ROLLER BEARING ASSY COMPLETE ( Inc.Item 23 & 24 )	2
23	S1609	S1609	ROLLER BEARING HOUSING	2
24	S1608	S1608	ROLLER BEARING 1 1/4"	2
25	S4299	S4299	PIN	2
26	S4328	S4329	REAR SAFETY TUBE/BAR	1
27	S3296	S3296	BOLT & NYLOC NUT	4
28	S3340 / S1003	S3340 / S1003	GEARBOX MOUNT PLATE RETAINING BOLTS & NUT	1
29	S4055 / S5067	S4055 / S5067	GEARBOX RETAINING BOLTS & NUT	4
30	S6178	S6180	GEARBOX	4
31	S3918	S3918	GEARBOX PULLEY ADAPTOR	1
32	S1024	S1024	NYLOC NUT	4
33	S3310	S3310	RETAINING BOLTS (Suit pulley hub)	4
34	S4053	S4053	RETAINING NUT	1
35	S4054	S4054	COTTER PIN	7
36	S3686	S3686	MAIN DRIVE PULLEY 16"	1
37	S4332	S4332	DEFLECTOR PADDLES	AS REQ.
38	S4335	S4336	3/4" Dia Bar Suit Deflector PADDLES	1
39	S4226	S4226	WASHER	1



**GEAR BOX B/Co 75 H.P. 1.93 RATIO - PBL2180 - PBL300**

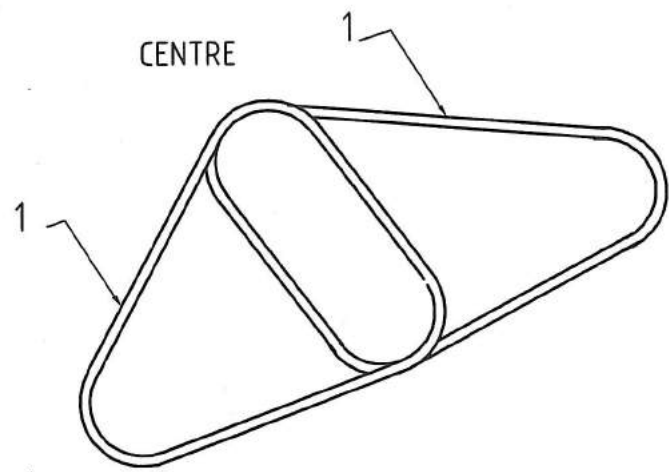
ITEM No.	PART No.	DESCRIPTION	QTY. OFF
1	S6181	GEARBOX HOUSING	1
2	S6193	SPACER Output	1
3	S6183	BEARING Cone Output	1
4	S6184	BEARING Cup Output	1
5	S6176	PINION Output Ratio 1:93	1
6	S6187	INPUT SHAFT	1
7	S6188	BEARING Input Front & Rear	2
8	S6205	CIRCLIP Input	1
9	S6177	GEAR Input Ratio 1:93	1
10	S6192	SHIM Input	As Req.
11	n/a	SPACER Input	1
12	S6194	SEAL Input	1
13	S6195	FRONT PLATE	1
14	S6196	SHIM Output	As Req.
15	S6197	SEAL CARRIER	1
16	S6198	SEAL Output	1
17	S6199	BOSS OUTPUT	1
18	S6201	NUT Castelated Output	1
19	S4045	COTTER PIN	1
20	S6206	FILLER / BREATHER PLUG	1



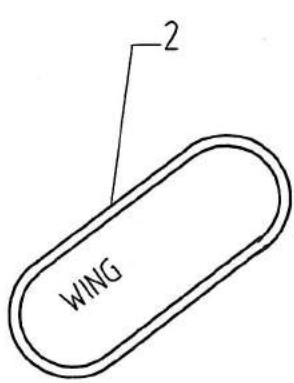
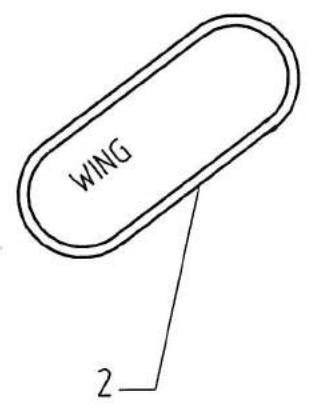
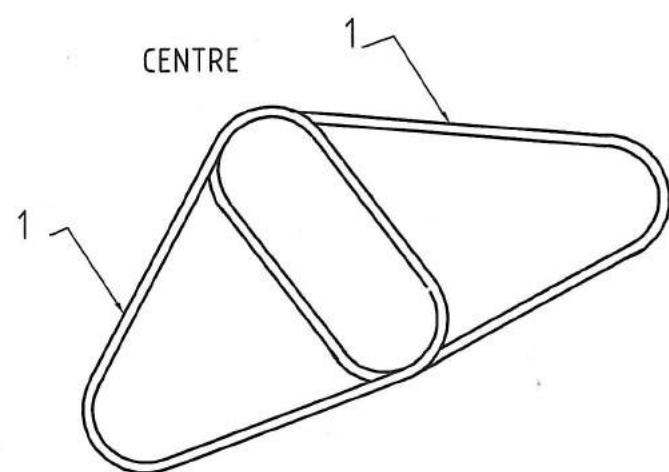
**BARECO 75 H.P. GEARBOX- 1.46:1 RATIO - PBL230 - PBL360**

ITEM No.	PART No.	DESCRIPTION	QTY. OFF
1	S6181	GEARBOX HOUSING	1
2	S6193	SPACER Output	1
3	S6183	TOP OUTPUT BEARING	1
4	S6184	BOTTOM OUTPUT BEARING	1
5	S6185	PINION Output Ratio 1:46 13Teeth	1
6	S6187	INPUT SHAFT	1
7	S6188	BEARING Input Front & Rear	2
8	S6205	CIRCLIP Input	1
9	S6190	GEAR Input Ratio 1:46 19Teeth	1
10	S6192	SHIM Input	AS REQ.
11	n/a	SPACER Input	1
12	S6194	SEAL Input	1
13	S6195	FRONT PLATE	1
14	S6196	SHIM Output	AS REQ.
15	S6197	SEAL CARRIER	1
16	S6198	SEAL Output	1
17	S6199	BOSS OUTPUT	1
18	S6201	NUT Castelated Output	1
19	S4045	COTTER PIN	1
20	S6206	FILLER / BREATHER PLUG	1
21	S6182	OUTPUT SHAFT	1

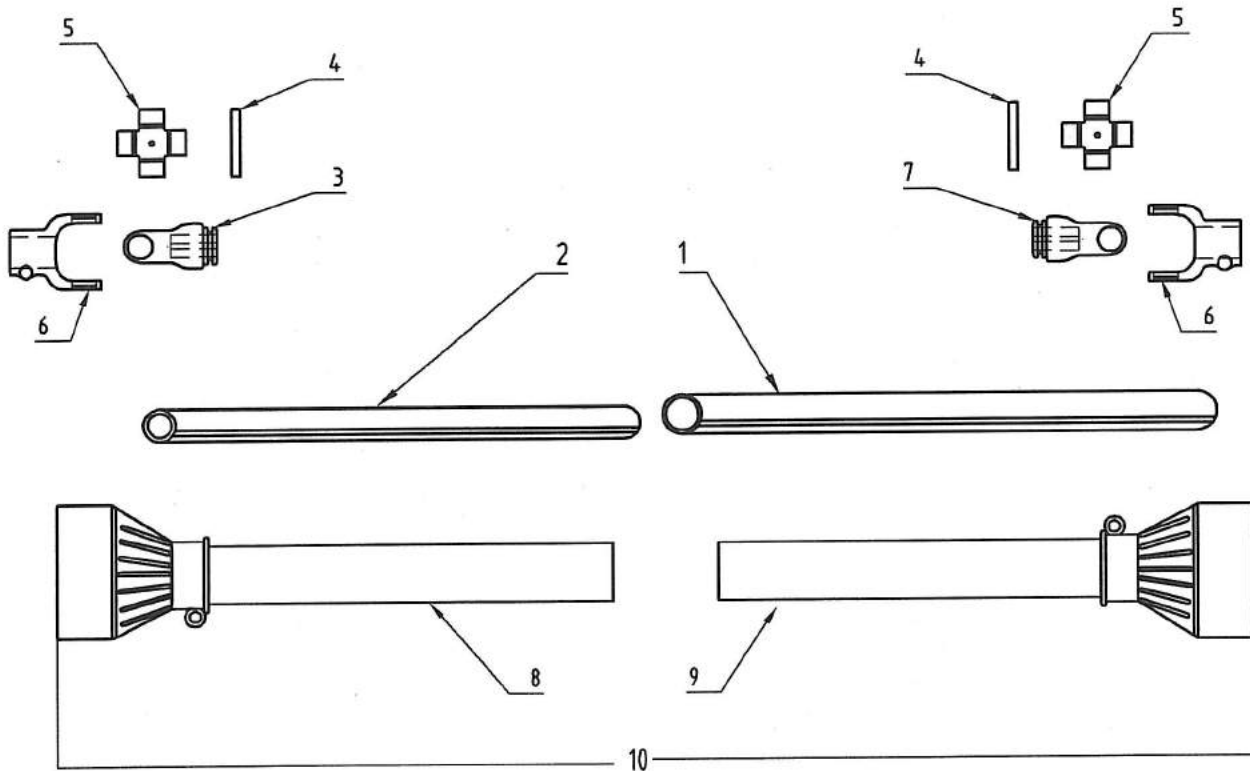
PBL2180  
PBL230



PBL300  
PBL360



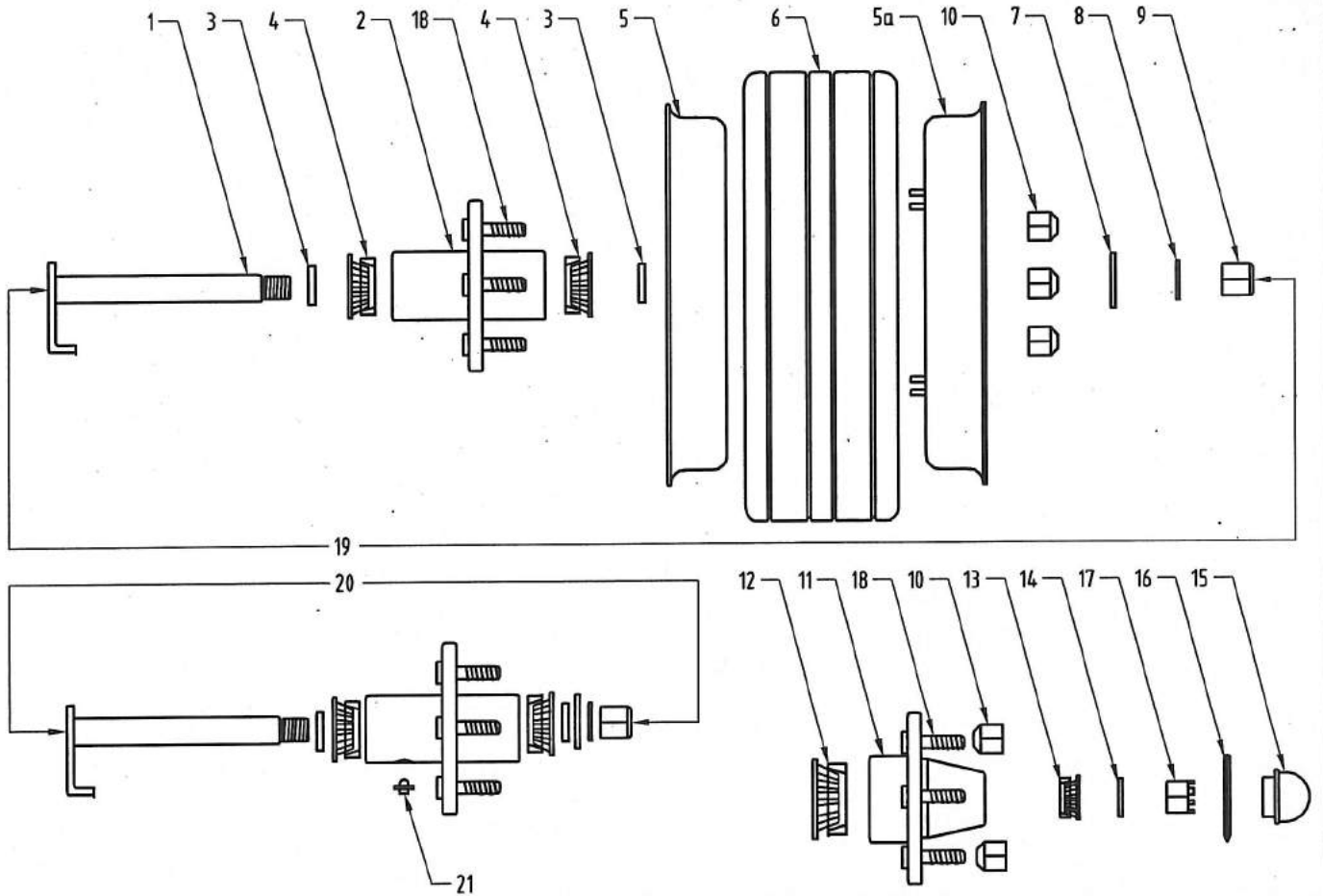
VEE BELTS - PBL2180 - PBL230 - PBL300 - PBL360						
ITEM No.	PART No. PBL 2180	PART No. PBL 230	PART No. PBL 300	PART No. PBL 360	DESCRIPTION	QTY. OFF
1	S3976	S4005	S3976	S4005	VEE BELT	1
2	/	/	S3959	S3969	VEE BELT	1



## DRIVESHAFTS FRONT MAIN

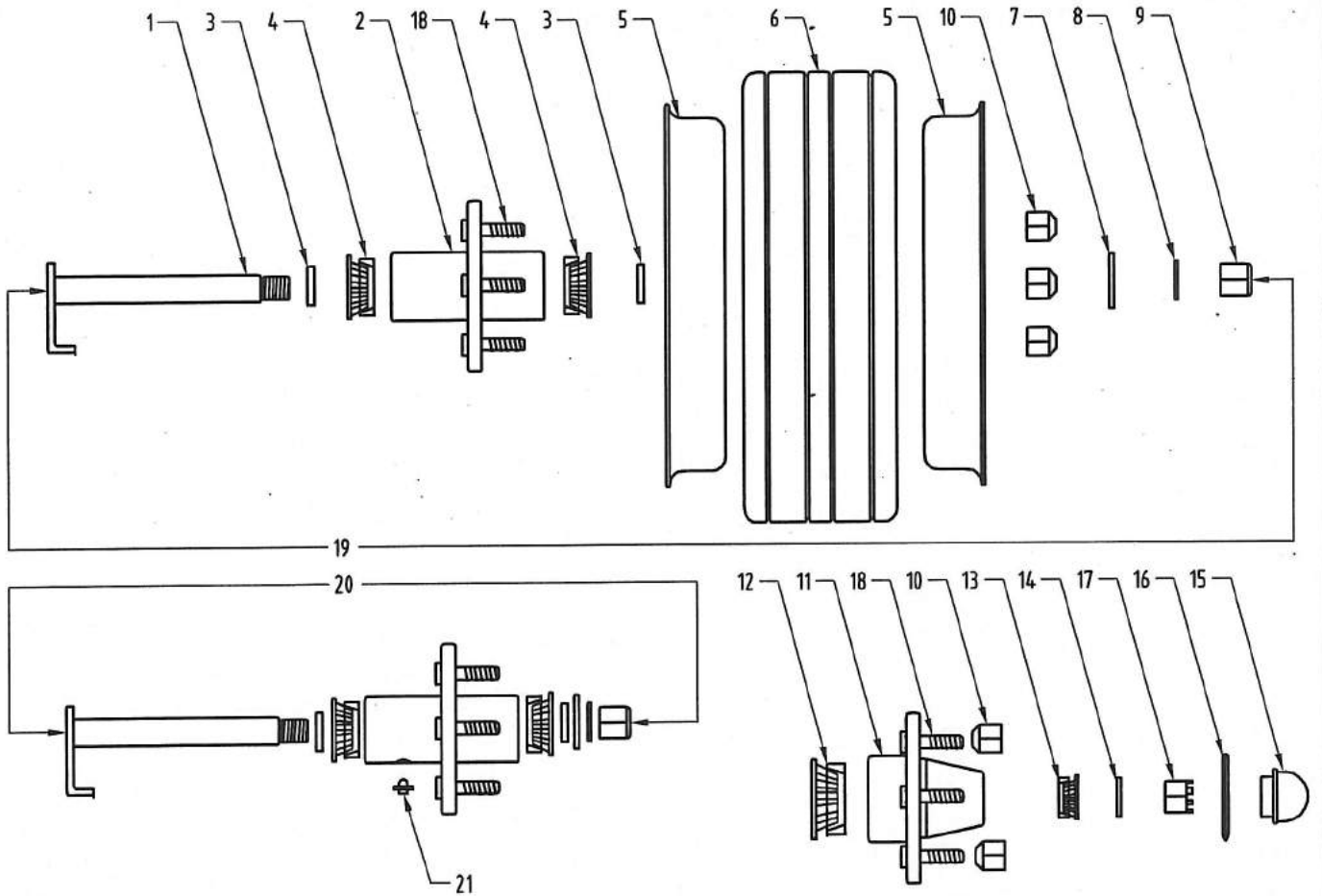
**SERIES 6 - PBL2180 - PBL230 - PBL300 - PBL360**

ITEM No.	PART No.	DESCRIPTION	QTY. OFF.
1	S1406	OUTER TUBE	1
2	S1405	INNER TUBE	1
3	S1403	YOKE Suits Inner Tube	1
4	S1404	ROLL PIN Suits Inner/Outer Tube Yoke	1
5	S7207	UNIVERSAL JOINT	2
6	S7213	YOKE 1 3/8 x 6 Spline QR	1
7	S1407	YOKE Suits Outer Tube	1
8	S1411	COVER TUBE Suits Inner Tube	1
9	S1412	COVER TUBE Suits Outer Tube	1
10	S7186	COVER COMPLETE	1
11	S7201	DRIVESHAFT COMPLETE	1



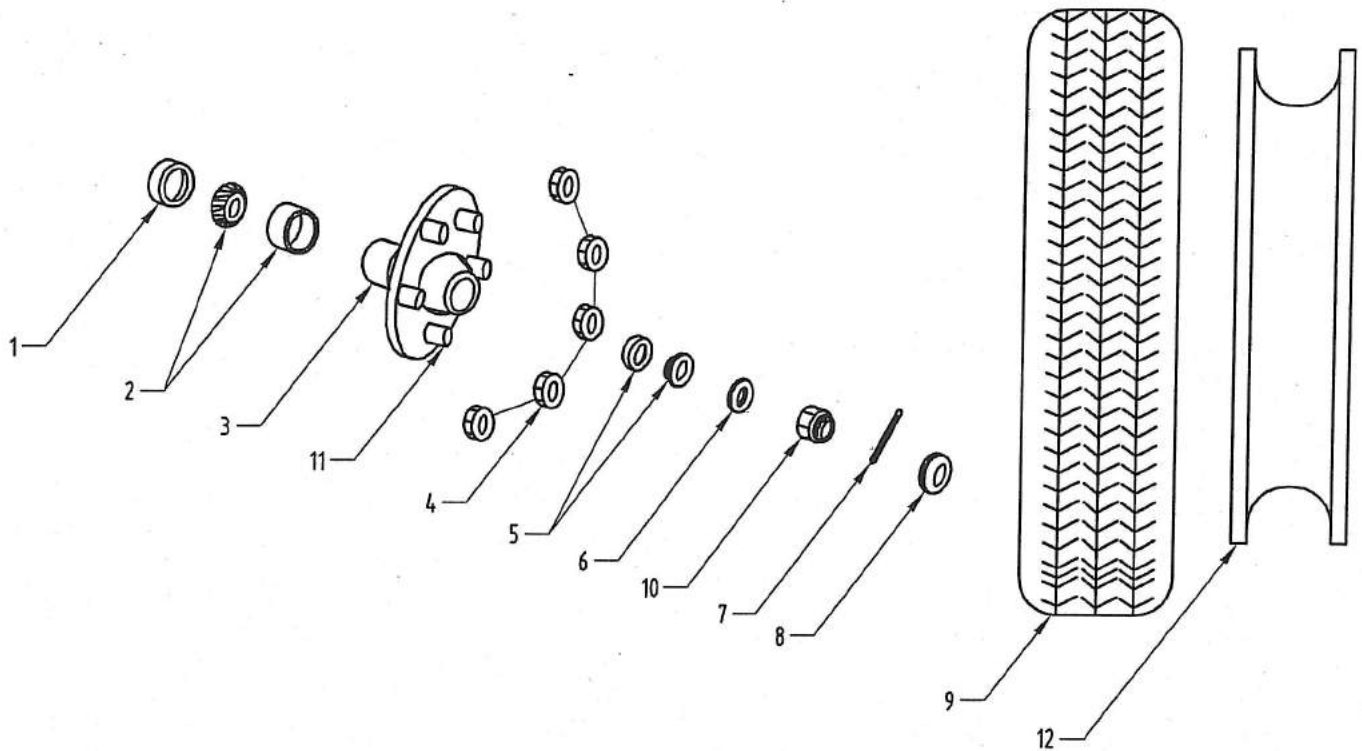
**PBL2180, PBL230, PBL300, PBL360 - REAR CASTOR WHEEL Options  
BEFORE JUL 2005 - OLD STYLE**

ITEM No.	PART No.	DESCRIPTION	QTY. OFF
1	S4082	AXLE	1
2	S5080	WHEEL HUB	1
3	S4078	SPACER	2
4	S4084	BEARINGS Cup & Cone	2
5	S5078	SPLIT RIM W/- Studs	1
5a	S5079	SPLIT RIM W/- No Studs	1
6	S5077	SOLID TYRE 400 x 8	1
7	S4052	WASHER 1"	2
8	S4233	WASHER 3/4"	1
9	S5067	NYLOC NUT 3/4Unc	1
10	S2225	WHEEL NUT 7/16"	5
11	S2224	WHEEL HUB (Optional Holden 5 Stud )	1
12	S2229	INNER BEARING C&C ( Optional Holden Hub )	1
13	S2229	OUTER BEARING C&C ( Optional Holden Hub )	1
14	S2230	WASHER 3/4 ( Optional Holden Hub )	1
15	S2232	DUST CAP ( Optional Holden Hub )	1
16	S2219	COTTER PIN	1
17	S2231	SLOTTED NUT	1
18	S2237	STUDS 7/16Unf Suits All	5
19	S4075	SOLID WHEEL ASSY. Complete	INC.1 - 10
20	S5083	WHEEL HUB ASSY. Complete	As Shown
21	S4085	GREASE NIPLE	1



**PBL2180, PBL230, PBL300, PBL360 - REAR CASTOR WHEEL Options  
AS FROM JUL 2005 - NEW STYLE**

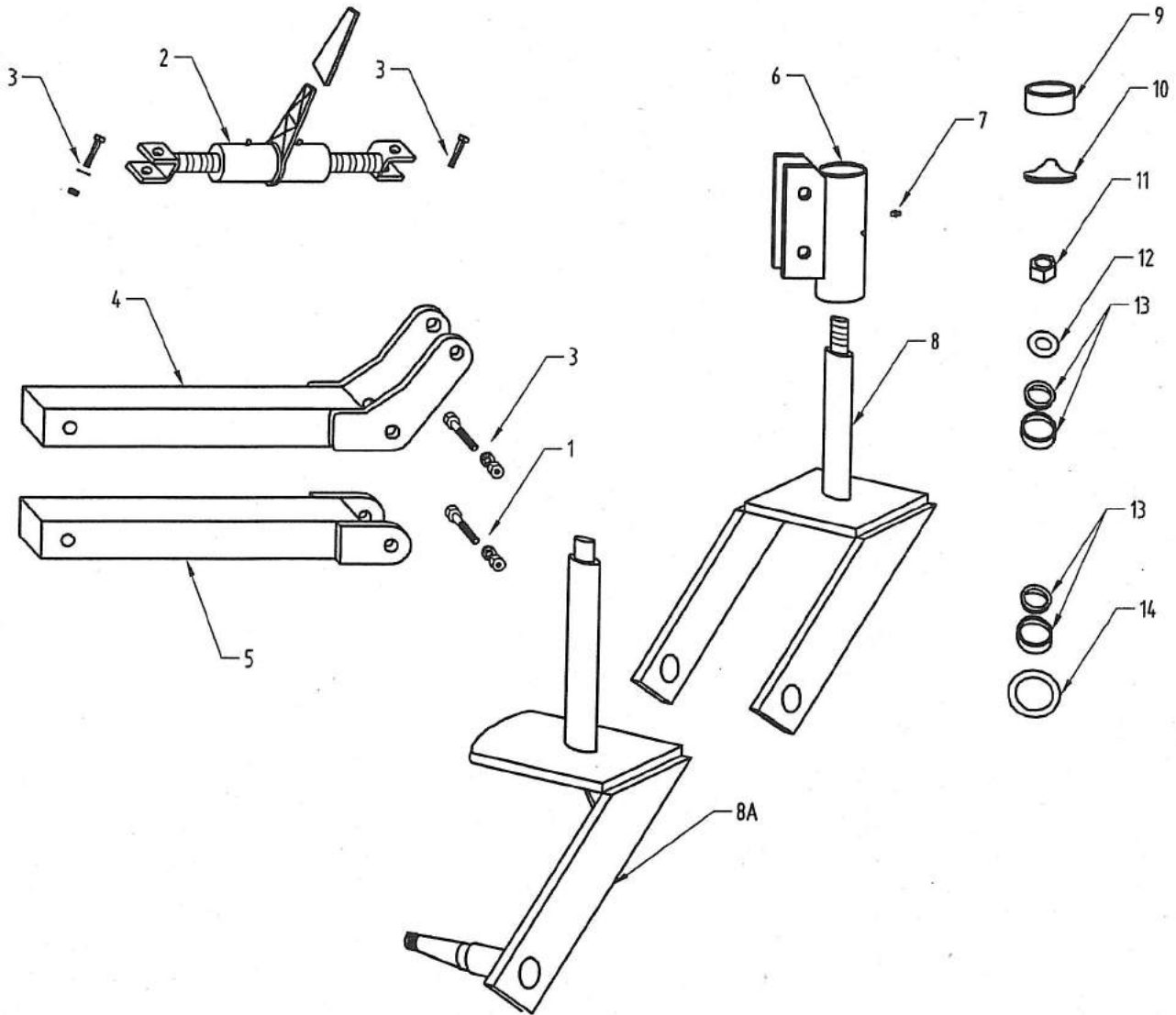
ITEM No.	PART No.	DESCRIPTION	QTY. OFF
1	S4082	AXLE	1
2	S7251	WHEEL HUB - 4 STUD (SUIT ITALIAN WHEEL)	1
3	S4078	SPACER	2
4	S4084	BEARINGS Cup & Cone	2
5	S7254	SPLIT RIM W/- STUDS - 4 STUD (SUIT ITALIAN WHEEL)	1
6	S7255	SOLID TYRE - 400 x 8 (ITALIAN)	1
7	S4052	WASHER 1"	2
8	S4233	WASHER 3/4"	1
9	S5067	NYLOC NUT 3/4Unc	1
10	S2225	WHEEL NUT 7/16"	4
11	S2150	WHEEL HUB (Optional Mini 4 Stud )	1
12	S2229	INNER BEARING C&C ( Optional Mini Hub )	1
13	S2229	OUTER BEARING C&C ( Optional Mini Hub )	1
14	S2230	WASHER 3/4 ( Optional Mini Hub )	1
15	S2232	DUST CAP ( Optional Mini Hub )	1
16	S2219	COTTER PIN	1
17	S2231	SLOTTED NUT	1
18	S2237	STUDS 7/16Unf Suits All	4
19	S7253	WHEEL ASSY COMPLETE W/- HUB ETC. - 4 STUD (ITALIAN)	INC.1 - 10
20	S7247	WHEEL HUB ASSY COMPLETE - 4 STUD (ITALIAN)	As Shown
21	S4085	GREASE NIPLE	1



## REAR WHEEL PNEUMATIC 600 x 9

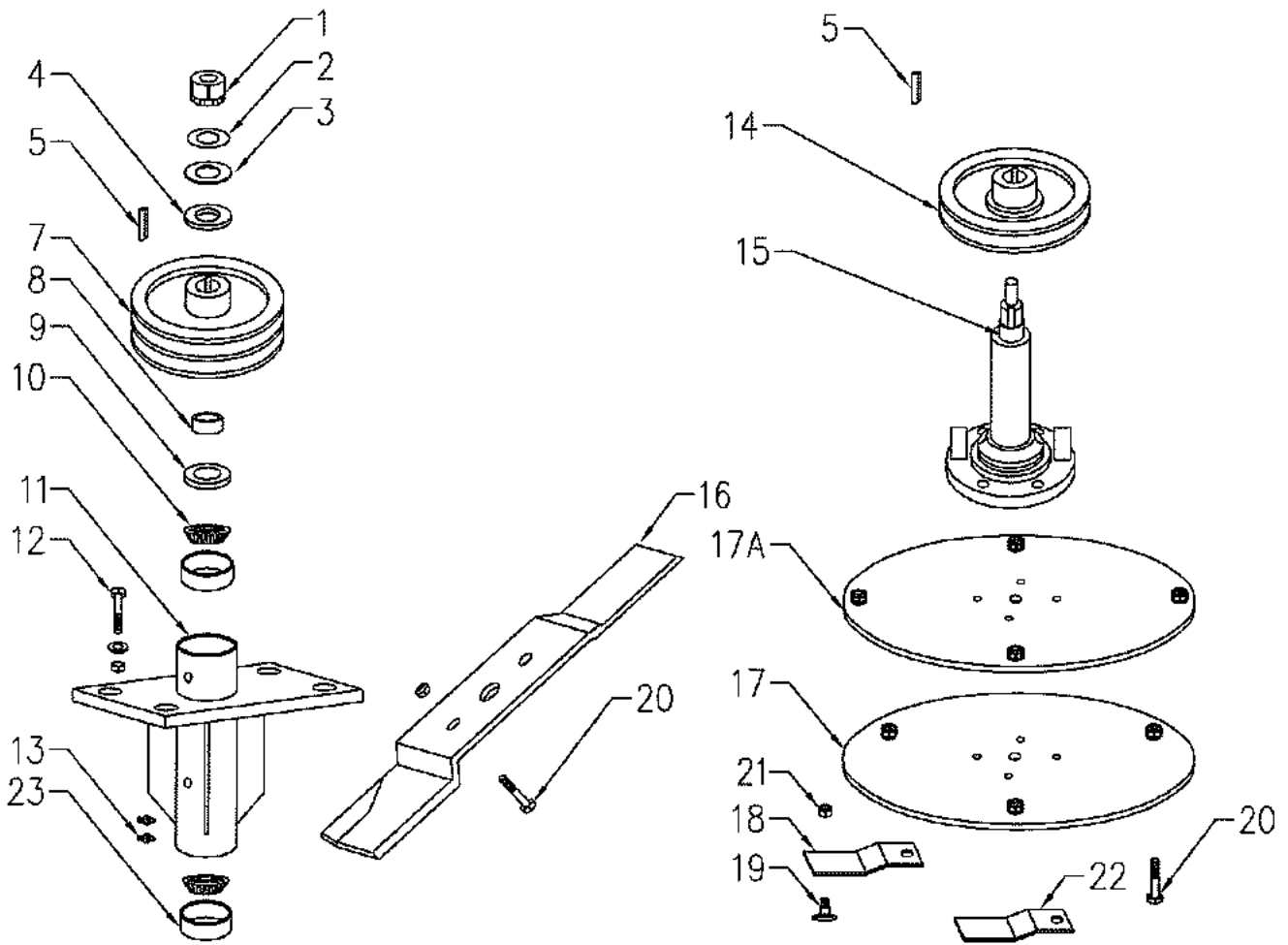
ITEM No.	PART No.	DESCRIPTION	QTY. OFF
1A	S5298	WHEELS 600 X 9 ALLOY 5 STUD COMPLETE	1
1	S2222	SEAL (Optional)	1
2	S2223	INNER BEARING (W/-Seal)	1
3	S2224	WHEEL HUB 5 STUD	2
4	S2225	WHEEL NUTS	2
5	S2229	OUTER BEARING	1
6	S2230	WASHER	1
7	S2233	COTTER PIN	1
8	S2232	WHEEL HUB DUST CAP	2
9	S5228	TYRE 600 X 9	2
10	S2231	SLOTTED NUT	1
11	S2237	WHEEL STUDS	5
12	S5229	WHEEL RIM 600 X 9 ALLOY 5 STUD	5
13	S5227	TUBE (Not Illustrated)	1





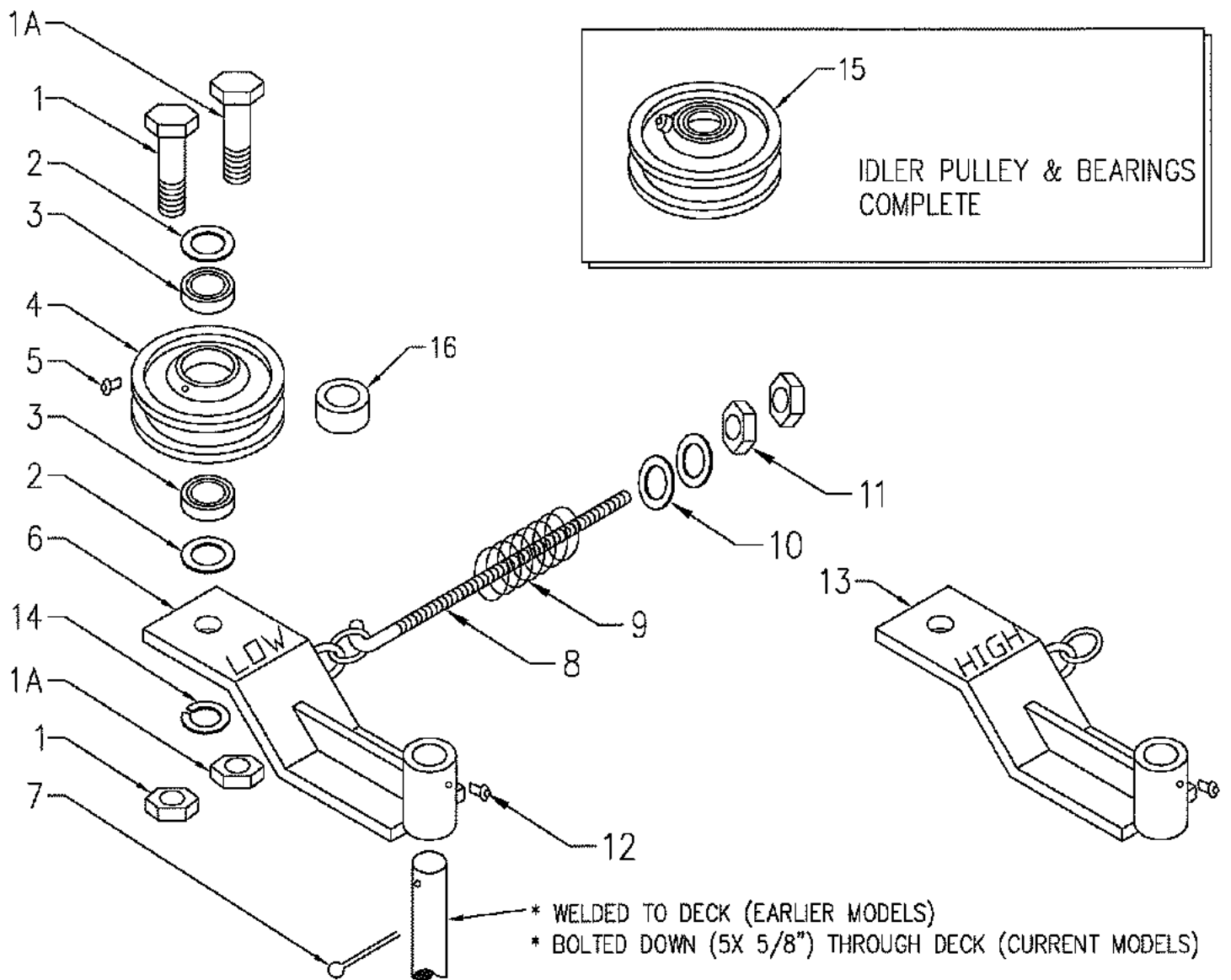
**CASTOR ASSEMBLY - PBL2180 - PBL230 - PBL300 - PBL360**

ITEM No.	PART No. SUIT 400 x 8	PART No. SUIT 600 x 9	DESCRIPTION	QTY. OFF
1	S3559	S3559	BOLT & NUT	1
2	S4893	S4893	RATCHET JACK Rear Wheel Adjuster	1
3	S3583	S3583	BOLT 6x1" & Lock Nuts	3
4	S4896	S4896	CASTOR WHEEL ARM Top	1
5	S4897	S4897	CASTOR ARM Bottom	1
6	S4898	S4898	CASTOR TUBE W/- Brkts	1
7	S4085	S4085	GREASE NIPPLE	1
8	S4092	N/A	CASTOR FORK Suit 400 x 8 Wheel	1
8A	S4116	S5226	CASTOR FORK Suit 400 X 8, & 600 x 9 Wheel	1
9	S4127	S4127	DUST CAP Plastic	1
10	S4097	S4097	DUST CAP Steel	1
11	S1100	S1100	NYLOC NUT 1" Thin Type	1
12	S4234	S4234	WASHER 1" Heavy	1
13	S4094	S4094	BEARINGS Suit Fork	2
14	S4093	S4093	THRUST WASHER Suit Fork	1



### CARTRIDGE & PULLEY ASSY'S W/- CUTTING HEAD OPTIONS

ITEM NO.	PBL 2180-300 PART NO.	PBL 230 - 360. PART No.	DESCRIPTION	QTY OF.
1	S05067	S05067	NYLOC NUT ( 3/4 UNF )	1
2	S02230	S02230	FLAT WASHER ( 3/4 )	1
3	S02264	S02264	FLAT WASHER ( 1" THIN)	1
4	S04234	S04234	FLAT WASHER ( 1" THICK )	1
5	S01638	S01638	KEY	1
7	S03687	S03710	DRIVE PULLEY ( 2-C SECTION )	1
8	S01670	S01670	SPACER ( BRG. & SEAL )	1
9	S01671	S01671	SEAL	1
10	S01672	S01672	TOP BEARING CUP & CONE	2
11	S04276	S04276	CARTRIDGE	1
12	S04055 / S05067	S04055 / S05067	BOLT CARTRIDGE (3/4"UNC )	1
13	S01261	S01261	GREASE NIPPLE ( 1/4" B.S.F. )	2
14	S03688	S03709	PULLEY (1-C. SECTION )	2
15	S04277	S04277	CUTTER SPINDLE	1
16	S03685	S03690	BLADE BAR TYPE	3 ~ 5
17	S01678	S03692	DISC HEAD - 3 BLADE	3 ~ 5
17A	S04334	S04335	DISC HEAD - 4 BLADE	3 ~ 5
18	S03693	S03693	SWING BLADE - 65 x 5	9
19	S03694	S03694	BOLT BLADE	9
20	S03341 / 1003	S03341 / 1003	BOLT & NUT CUTTING HEAD RETAINING	BAR 6 - DISC 12
21	S01096	S01096	NYLOC NUT	9
22	S03616	S03616	BLADE SWING H/D 75X10 (300 / 360 ONLY)	9
23	S04337	S04337	BOTTOM BEARING CUP & CONE	1



### BELT TENSIONER ASSY - PBL 2180 - 230 - 300 - 360

ITEM No.	PART No.	DESCRIPTION	QTY. OFF
1	S5068	BOLT, NUT, 3 x 3/4 UNC ASSY	1
1A	S4066	BOLT, NUT, 3 1/2 x 3/4 UNF ASSY	1
2	S4226	FLAT WASHER	2
3	S1677	BEARING	2
4	S3707	IDLER PULLEY	2
5	S4056	GREASE NIPPLE 1/4BSF 45'	1
6	S1617	BELT TENSIONER ARM (LOW)	1
7	S4054	COTTER PIN 5mm	1
8	S1618	TENSIONER	1
9	S1619	SPRING	1
10	S4224	FLAT WASHER 1/2"	2
11	S4102	NUT	2
12	S1261	GREASE NIPPLE 1/4" B.S.	1
13	S1651	BELT TENSIONER ARM (HIGH)	1
14	S4245	WASHER SPRING HEAVY 3/4"	1
15	S3847	IDLER PULLEY & BEARING (Complete)	1
16	S4068	BUSH	1

