

INSTRUCTION MANUAL AND PARTS LIST FOR POST HOLE DIGGERS PD/PHD/HPHD SERIES



INDEX

PAGE

Corporate Philosophy

<i>PART 1.</i>	<i>PD8-35Hp</i>	<i>(Mini Post Hole Digger)</i>	
	<i>PD12-50Hp</i>	<i>(Medium Duty Post Hole Digger)</i>	
	<i>PHD12M-75Hp</i>	<i>(Heavy Duty Post Hole Digger)</i>	
	<i>PHD12H-90Hp</i>	<i>(Heavy Duty Post Hole Digger)</i>	1

Safety Precautions for the operation of Post Hole Digger	2 - 3
Operational Safety Instructions	4 - 5
Operating Instructions	6
Mini Post Hole Diger	7
Medium Duty Post Hole Digger	8
Heavy Duty Post Hole Digger	9
Gear Box - 35Hp	10
Gear Box - 50Hp	11
Gear Box - 75Hp	12
Gear Box - 90Hp Superior H/Duty	13
Teeth For Superior Diggers	14
Pilots & Replacement Parts	15
Pilots & Boring Head "PENGO"	16
Driveshaft ANDYLINE - TORQUE LIMITER (Suit Mini Dig.)	17
Driveshaft W/SCHIED - PATTERN WITH CLUTCH	18
Driveshaft BYPY - PATTERN WITH CLUTCH	19
Driveshaft BYPY - STANDARD	20
Driveshaft BARECO	21
Clutch	22

PART 2. HPHD12M - 75Hp Hyd. Thrust (Extra H/D Post Hole Dig.)
HPHD12H - 90Hp Hyd. Thrust (Extra H/D Post Hole Dig.) **23**

Safety Precautions for the operation of Post Hole Digger	24 - 25
Operational Safety Instructions	26 - 27
Operating Instructions	28 - 29
Hydraulic Thrust Heavy Duty Post Hole Digger	30
Gear Box - 75Hp	31
Gear Box - 90Hp Superior H/Duty	32
Teeth For Superior Diggers	33
Pilots & Replacement Parts	34
Pilots & Boring Head "PENGO"	35
Driveshaft BYPY - PATTERN WITH CLUTCH	36
Driveshaft BYPY - STANDARD	37
Driveshaft BARECO	38
Driveshaft JAYBEN (OBSOLETE)	38A
Clutch	39
Warranty Form / Owner's Notes	40

INSTRUCTION MANUAL & PARTS LIST

FOR

PD8-35Hp	Mini Post Hole Digger
PD12-50Hp	Medium Duty Post Hole Digger
PHD12M-75Hp	Heavy Duty Post Hole Digger
PHD12H-90Hp	Heavy Duty Post Hole Digger

OPERATING INSTRUCTIONS SUPERIOR POST HOLE DIGGER

(Models PD8, PD12, PHD12M, PHD12H.)

SETTING UP YOUR DIGGER.

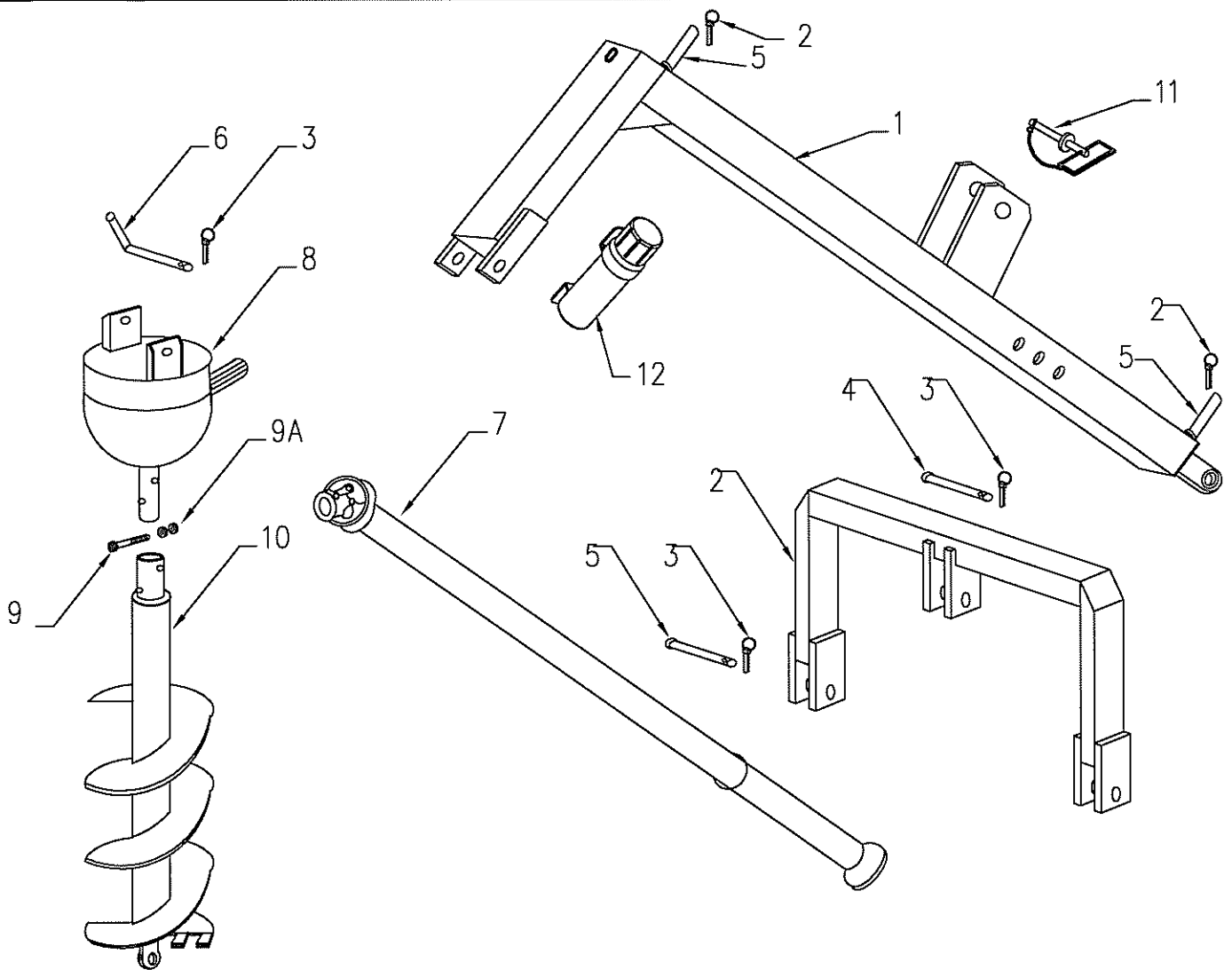
CONNECTING TO TRACTOR

1. Connect Top Ball Link to TRACTOR. (Cat 2 Fitted as standard)
2. Fit Cat 1 Sleeve if tractor is fitted w/- Cat1 Linkage (1" Dia. To 3/4" Dia.)
3. Connect Bottom Linkage Arms onto TPL Pins. (in "A"frame)
4. Make sure Lynch Pins are used in all pins connecting PHD to Tractor.
5. Connect P.T.O Shaft to Post Hole digger clutch and connect other end to Tractor.

6. Raise Jib using T.P.L. Tractor Hydraulics , Raise to full height check P.T.O. Shaft is correct length, (too short and the P.T.O shaft will come apart during operation)
Approx. 250 mm - 300 mm (10" -12") minimum drive allowable, too long and post hole digger will not dig to full depth.
7. Auger should now be clear of ground. (Adjust holes on Tower "A"frame for more clearance if desired.)
8. CHECK OIL LEVEL in GEARBOX BEFORE PROCEEDING. (Oil Filler in front or top, oil level on side 115 mm (4.5 ") approx. from bottom.)Fill till oil comes out of level plug.
9. Keep bystanders clear, Start tractor PTO and make sure Auger rotates ok..if everything is ok ..proceed to the position where you require the hole to be dug.
10. Align auger in desired hole position, make sure auger is vertical, start tractor PTO engine speed should be just above idle.
11. Lower TPL allow auger to penetrate the ground under its own weight, Lift TPL to clear soil from hole from time to time 3 to 4 times or more if soil is very dry or clay conditions , failure to do this will result in auger being buried to full depth which will require digging the auger out of the hole by hand.
12. SAFETY STARTS WITH THE OPERATOR, READ & UNDERSTAND ALL SAFETY REQUIREMENTS on PAGE 5. BEFORE OPERATING THIS POST HOLE DIGGER..
13. GREASE P.T.O. SHAFT & UNIVERSALS DAILY
14. GREASE :- All Purpose EPL2
15. OIL :- 85W - 140 EP GEAR OIL (approx. 4.5 Litres)

OWNERS NOTES

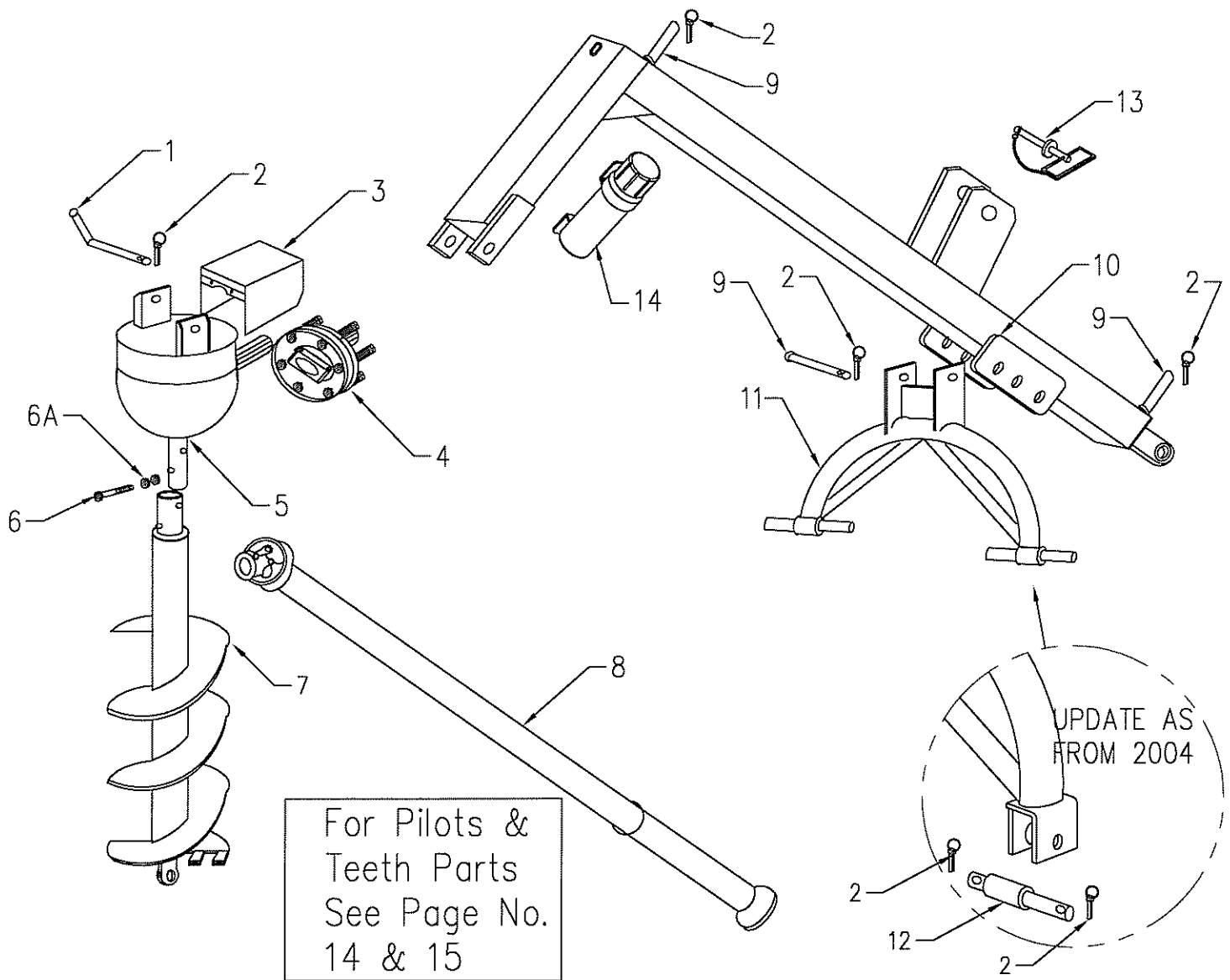
16. Machine Serial No. _____
17. Date Purchased _____
18. Date Warranty Returned to Superior _____



For Pilots & Teeth Parts, see Page No.14 & 15

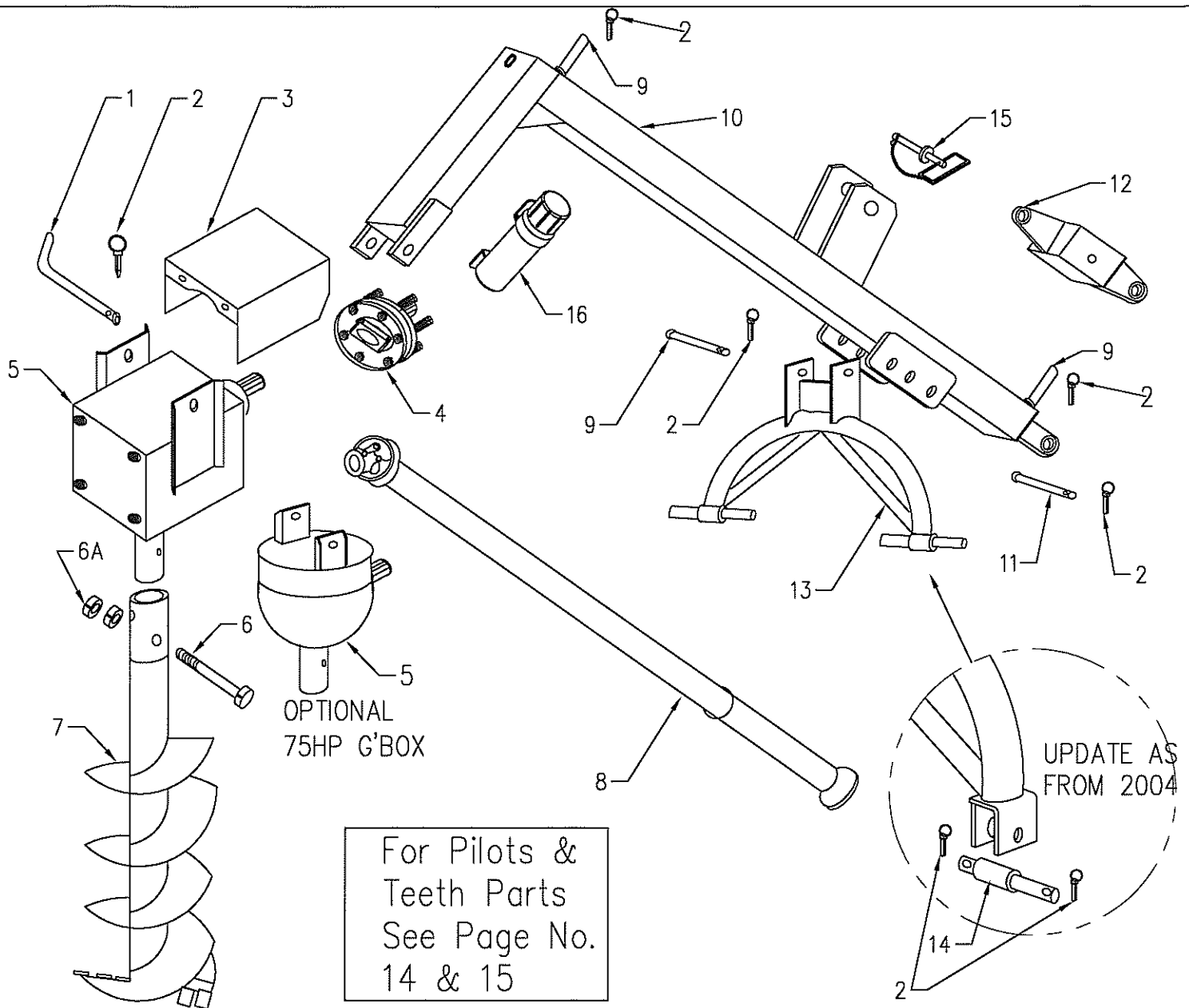
MINI POST HOLE DIGGER

ITEM	PART No.	DESCRIPTION	No. OFF
1	S01860	JIB	1
2	S01861	TOWER	1
3	S04011	LINCH PIN	5
4	S04133	TPL PIN	1
5	S04293	TPL PIN	3
6	S01992-2	MAIN HINGE PIN	1
7	S01864	DRIVE SHAFT ASSY	1
8	S02039	GEARBOX 35HP - COMPLETE	1
9	S03214	RETAINER BOLT	2
9A	S03205-2	LOCK NUT	2
10	S01941	AUGER 8"	1
11	S01495	DRAWBAR PIN	1
12	S08220	DOCUMENT HOLDER	1
13	S01996	MINI PD 30HP - COMPLETE	1



MEDIUM DUTY POST HOLE DIGGER

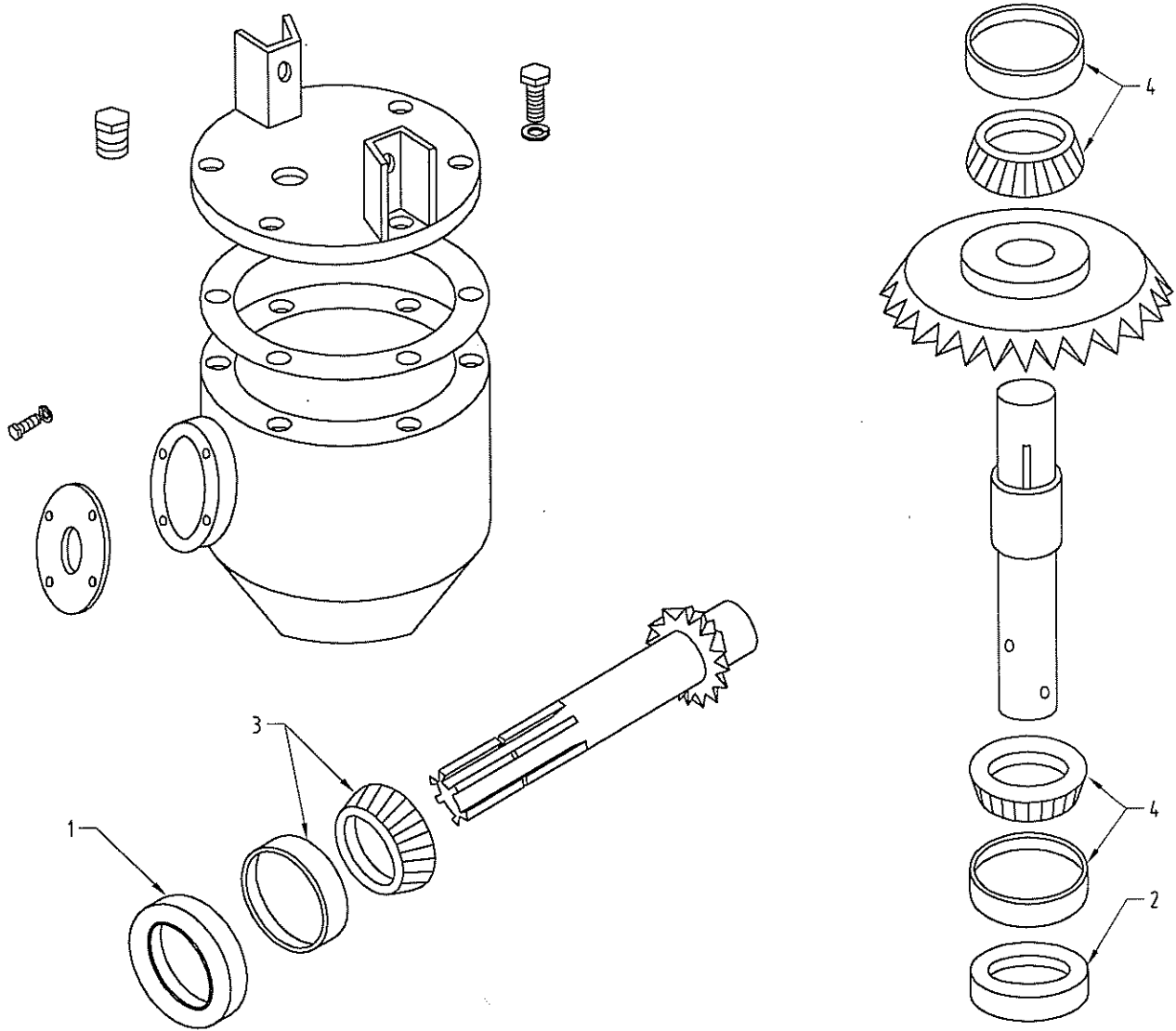
ITEM	PART No.	DESCRIPTION	No.OFF
1	S01912-1	MAIN HINGE PIN	1
2	S04011	LINCH PIN	6
3	S01926-2	PHD CLUTCH COVER 50H.P	1
4	S03125	CLUTCH ASSY.	1
5	S07156	GEARBOX COMPLETE 50HP	1
6	S03214	RETAINER BOLT	2
6A	S03205-2	LOCK NUTS	2
7	S01925	DOUBLE CUT AUGER 12"	1
8	S01916	DRIVESHAFT ASSY. COMPLETE B/co	1
8	S01927	DRIVE SHAFT ASSY. COMPLETE J/ben	1
8	S01857	DRIVESHAFT ASSY. AND CLUTCH COMP. W/Schd	1
9	S07229	TPL PIN	3
10	S01911	JIB FRAME	1
11	S01913	A" FRAME	1
12	S01914	A" FRAME HINGE PIN	1
13	S01495	DRAWBAR PIN	1
14	S08220	DOCUMENT HOLDER	1
15	S01995	MEDIUM DUTY POST HOLE DIGGER COMPLETE	1



For Pilots &
Teeth Parts
See Page No.
14 & 15

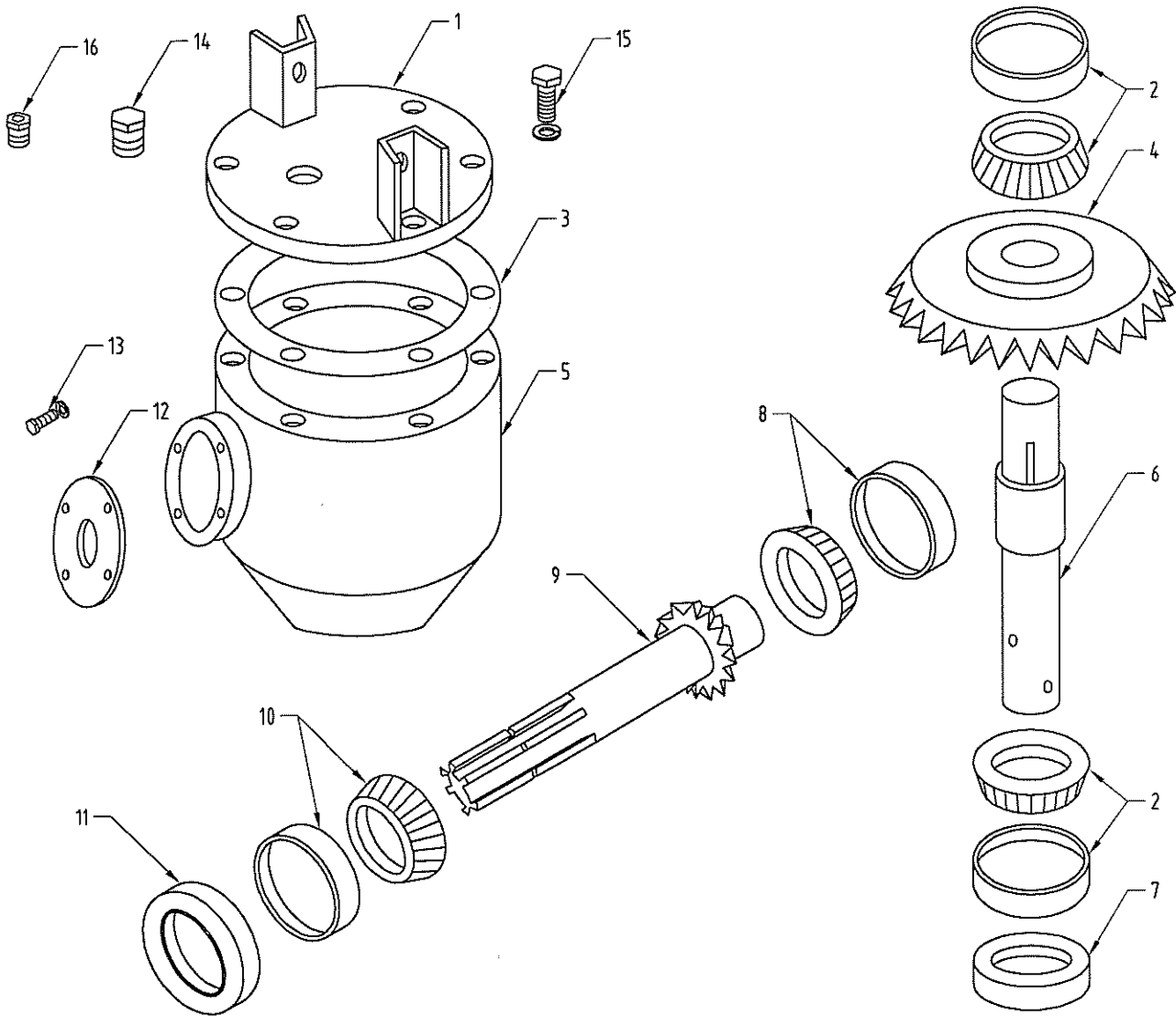
HEAVY DUTY POST HOLE DIGGER

ITEM	PART No.	DESCRIPTION	No.OFF
1	S01912	MAIN	1
2	S04011	LINCH PIN	7
3	S01926-2	PHD CLUTCH COVER 75H.P	1
4	S03125	CLUTCH ASSEMBLY	1
5	S01901	GEARBOX ASSEMBLY 90HP (STANDARD)	1
5	S07166	GEARBOX ASSEMBLY 75HP (OPTIONAL)	1
6	S03214	RETAINER BOLT	2
6A	S03205-2	LOCK NUTS	2
7	S01925	DOUBLE CUT 12" AUGER	1
8	S01916	DRIVESHAFT ASSEMBLY	1
8	S01927	DRIVESHAFT ASSEMBLY	1
9	S07229	TPL Pin	2
10	S01911	JIB	1
11	S04133	TPL PIN	1
12	S01915	Cat I/II Nose	1
13	S01913	Tower - Update As From 2004	1
14	S01914	A-FRAME HINGE PIN	1
15	S01495	DRAWBAR PIN	1
16	S08220	DOCUMENT HOLDER	1
17	S01947	HEAVY DUTY PHD 90HP STANDARD - COMPLETE	1



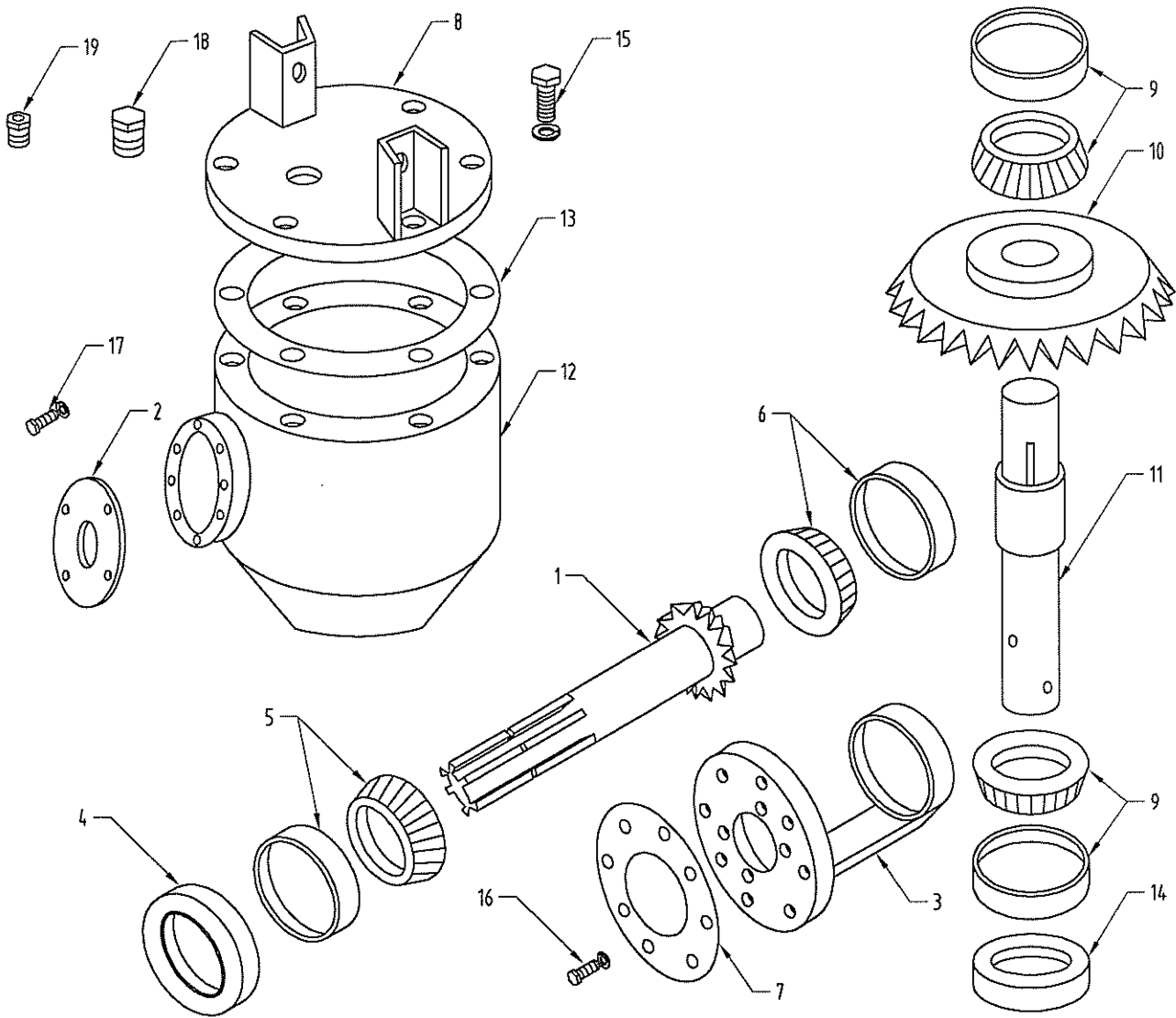
BARE-CO 35H.P. POST HOLE DIGGER GEARBOX

ITEM	PART No.	DESCRIPTION	No.OFF
1	S7135	INPUT OIL SEAL	1
2	S7136	OUTPUT OIL SEAL	1
3	S7137	INPUT SHAFT BEARING	1
4	S7138	OUTPUT SHAFT BEARING	2
	S7139	GEARBOX COMPLETE	



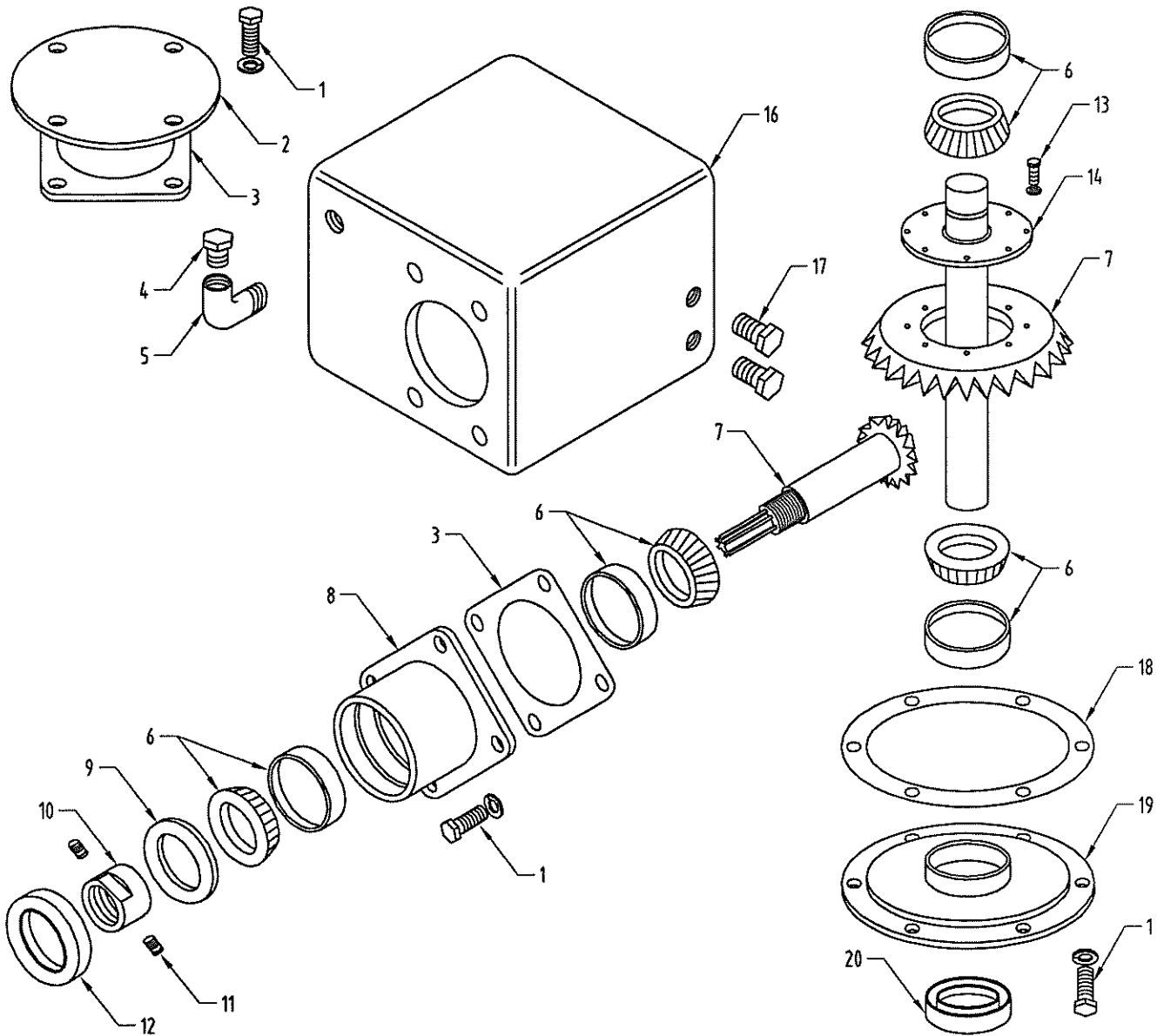
BARE-CO 50H.P. POST HOLE DIGGER GEARBOX

ITEM	PART No.	DESCRIPTION	No.OFF
1	S7140	TOP HOUSING	1
2	S7138	OUTPUT BEARING ASSEMBLY	2
3	S7141	TOP SHIM GASKETS	AS REQ.
4	S7142	OUTPUT GEAR	1
5	S7143	MAIN HOUSING - Suit 1 1/4" Round Input Shaft	1
5	S7144	MAIN HOUSING - Suit 1 3/8" x 6 Spline Input Shaft	1
6	S7145	OUTPUT SHAFT	1
7	S7146	LOWER SEAL	1
8	S7147	INPUT REAR BEARING ASSEMBLY	1
9	S7148	PINION For Models With 1 1/4" Input Shaft	1
9	S7149	PINION For Models With 1 3/8" x 6 Spline Input Shaft	1
10	S7150	INPUT FRONT BRG. ASSY. For Models With 1 1/4" Input Shaft	1
10	S7151	INPUT FRONT BRG. ASSY. For Models With 1 3/8" x 6 Spline Input Shaft	1
11	S7152	INPUT SEAL For Models With 1 1/4" Input Shaft	1
11	S7153	INPUT SEAL For Models With 1 3/8" x 6 Spline Input Shaft	1
12	S7154	FRONT CAP For Models With 1 1/4" Input Shaft	1
12	S7155	FRONT CAP For Models With 1 3/8" x 6 Spline Input Shaft	1
13	S3478	BOLT & S'WASHER	4
14	S6206	FILLER BREATHER PLUG	1
15	S3479	BOLT & S'WASHER	6
16	S1017	OIL LEVEL PLUG	1
	S7156	GEARBOX COMPLETE	



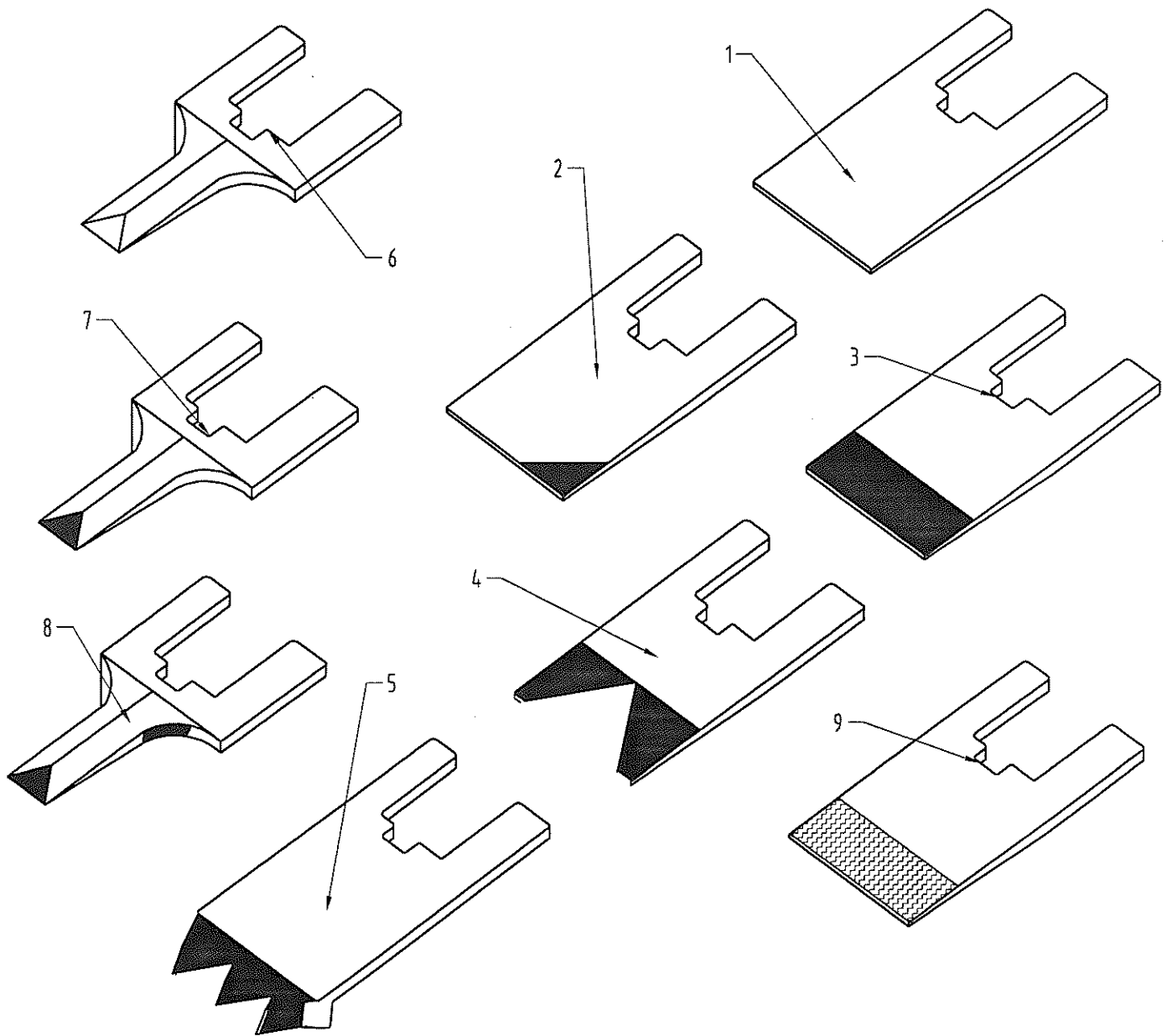
BARE-CO 75H.P. POST HOLE DIGGER GEARBOX

ITEM	PART No.	DESCRIPTION	No.OFF
1	S7157	PINION - 1 3/8" x 6 SPLINE	1
2	S7158	OUTER CAP	1
3	S7159	PINION SUPPORT HOUSING	1
4	S7160	INPUT SEAL	1
5	S7151	INPUT FRONT BEARING ASSY.	1
6	S7147	INPUT REAR BEARING ASSY.	1
7	S7146	SHIM GASKETS	AS REQ.
8	S7161	TOP COVER	1
9	S7138	OUTPUT BEARING ASSY.	2
10	S7162	OUTPUT GEAR	1
11	S7163	OUTPUT SHAFT	1
12	S7164	MAIN HOUSING	1
13	S7165	TOP SHIM GASKET	AS REQ.
14	S7146	OUTPUT SEAL	1
15	S3494	BOLT & S'WASHER	8
16	S3292	BOLT & S'WASHER	8
17	S3479	BOLT & S'WASHER	4
18	S6206	FILLER BREATHER PLUG	1
19	S1017	OIL LEVEL PLUG	1
	S7166	GEARBOX COMPLETE	



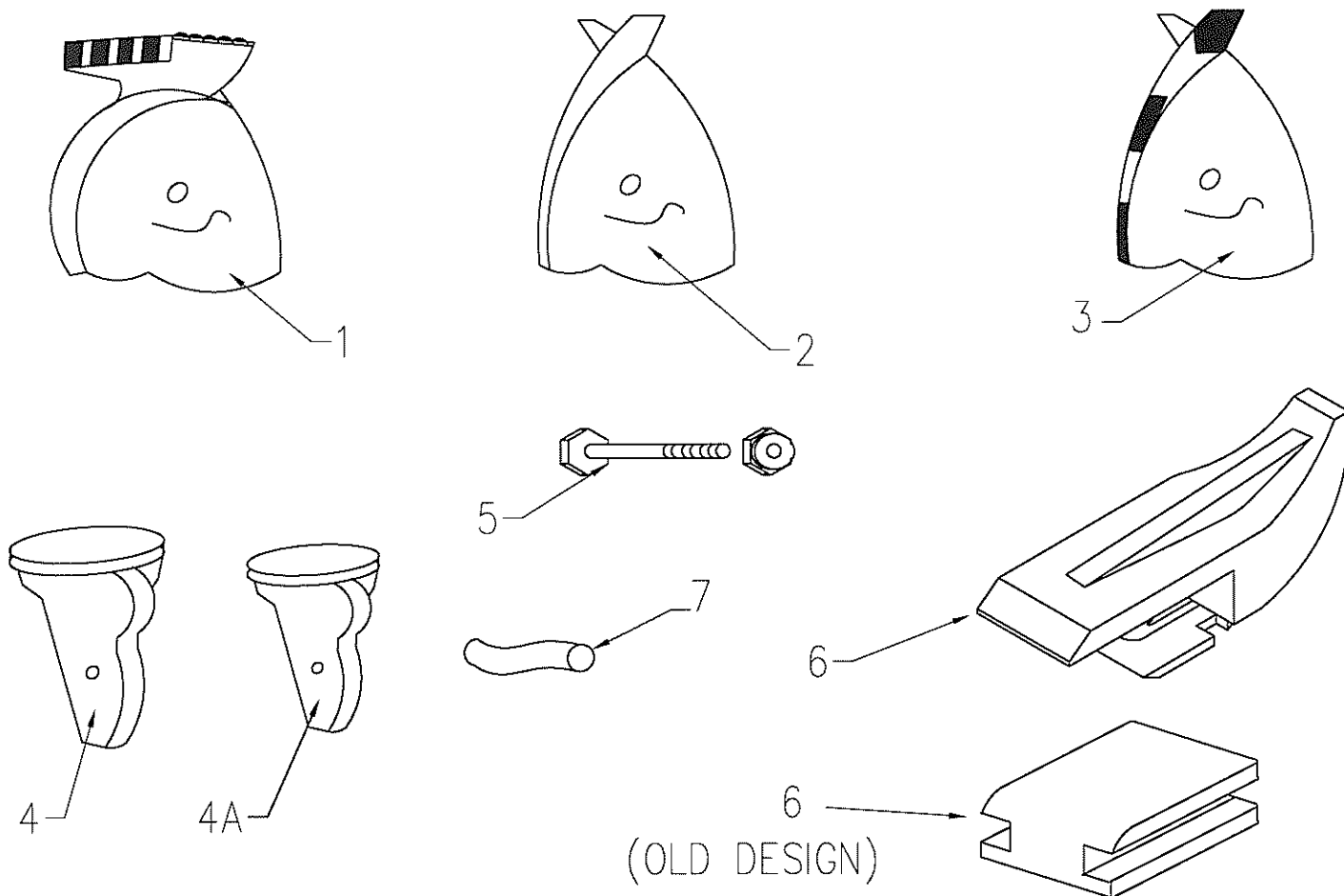
POST HOLE DIGGER H/D GEARBOX - 90HP SUPERIOR

ITEM	PART No.	DESCRIPTION	No.OFF
1	S1910	BOLT AND S'WASHER	14
2	S1901	TOP BEARING END CAP	1
3	S1909	SHIMS 0.005/0.010	AS REQ.
4	S1018	FILLER BREATHER PLUG	1
5	S1932	ELBOW	1
6	S1010	INPUT AND OUTPUT BEARING CUP AND CONE	4
7	S1905	GEAR AND PINION PR.	1
8	S1904	FRONT CARTRIDGE	1
9	S1929	FRONT SPACER	1
10	S1908	SLEEVE NUT	1
11	S1930	GRUB SCREW	2
12	S1907	FRONT SEAL	1
13	S1931	RET BOLT AND S'WASHER	8
14	S1923	OUTPUT SHAFT	1
16	S1902	GEARBOX HOUSING	1
17	S1017	LEVEL AND DRAIN PLUGS	2
18	S1004	SHIMS 0.005/0.010	AS REQ.
19	S2003	END PLATE	1
20	S1015	BOTTOM SEAL	1
	S1901	GEARBOX COMPLETE	



TEETH FOR SUPERIOR DIGGERS

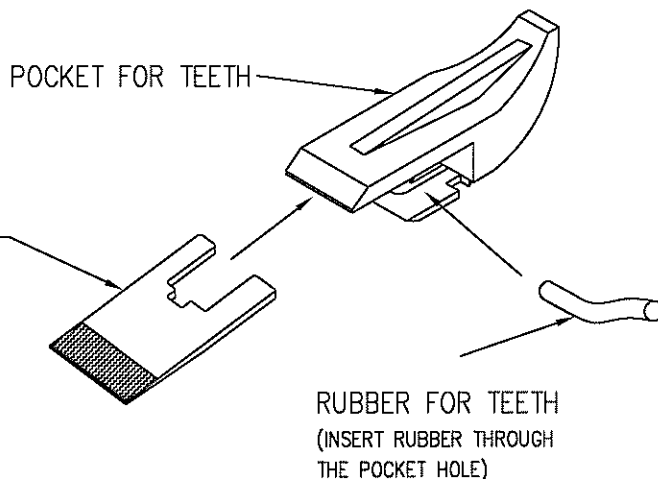
ITEM No	PART No	DESCRIPTION	No OFF
1	S1917	EARTH TOOTH	1
2	S1920	TUNGSTEN TIPPED TOOTH	1
3	S1934	FULL TUNGSTEN TOOTH	1
4	S1870	V" BLACK SOIL TOOTH	1
5	S1943	MFT TOOTH	1
6	S1848	CHISEL TOOTH	1
7	S1847	TUNGSTEN TIPPED CHISEL TOOTH	1
8	S1846	MFT CHISEL TOOTH	1
9	S1919	HARD FACED TOOTH	1



ASSEMBLY OF TOOTH TO POCKET

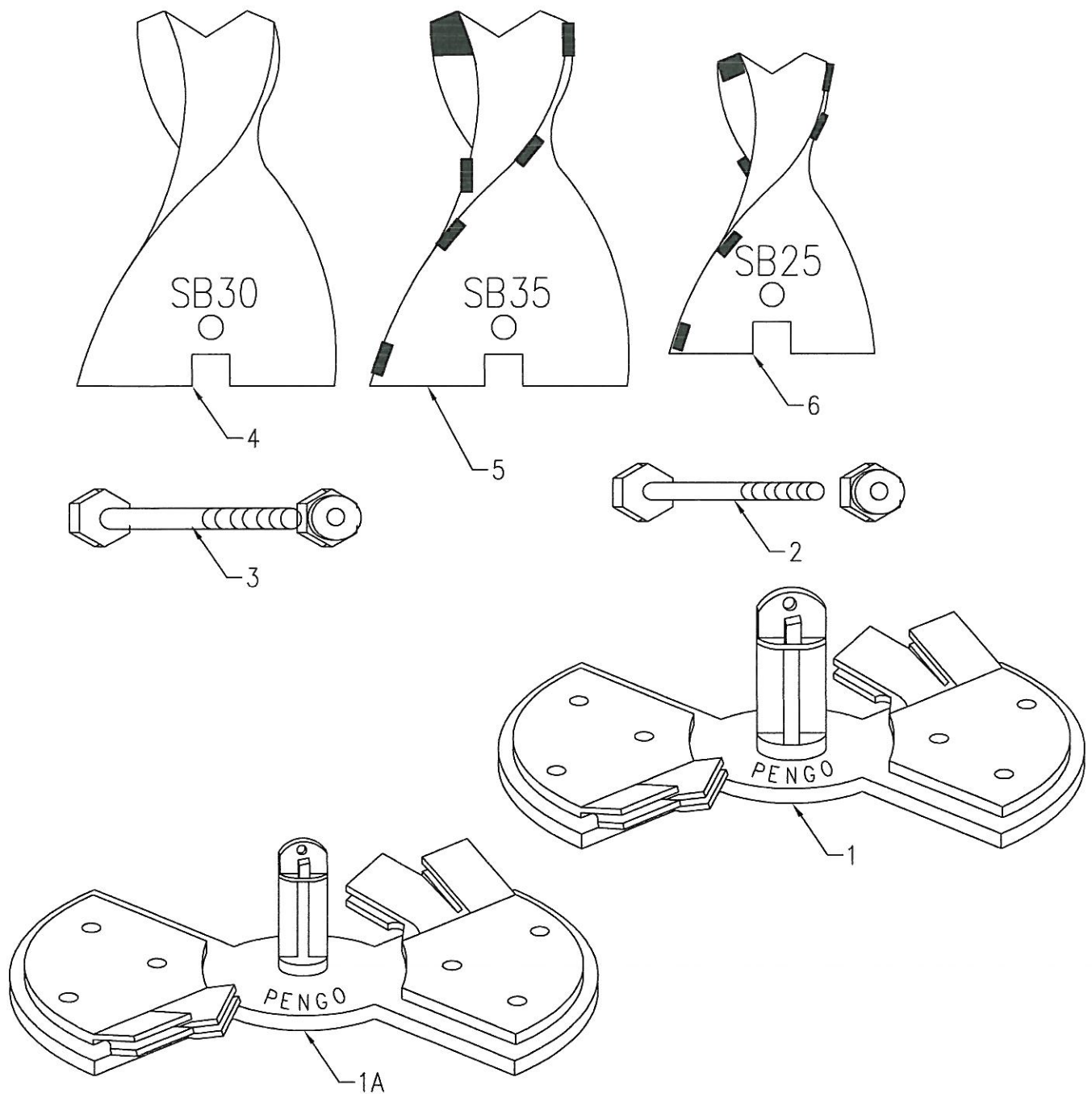
NOTE:
TO AVOID INJURY INSTALL WITH SOFT HAMMER

TOOTH
 (TOOTH IS INSERTED INTO THE POCKET AND PRESSED OVER THE RUBBER. REFER PAGE 33 FOR DIFFERENT TEETH)



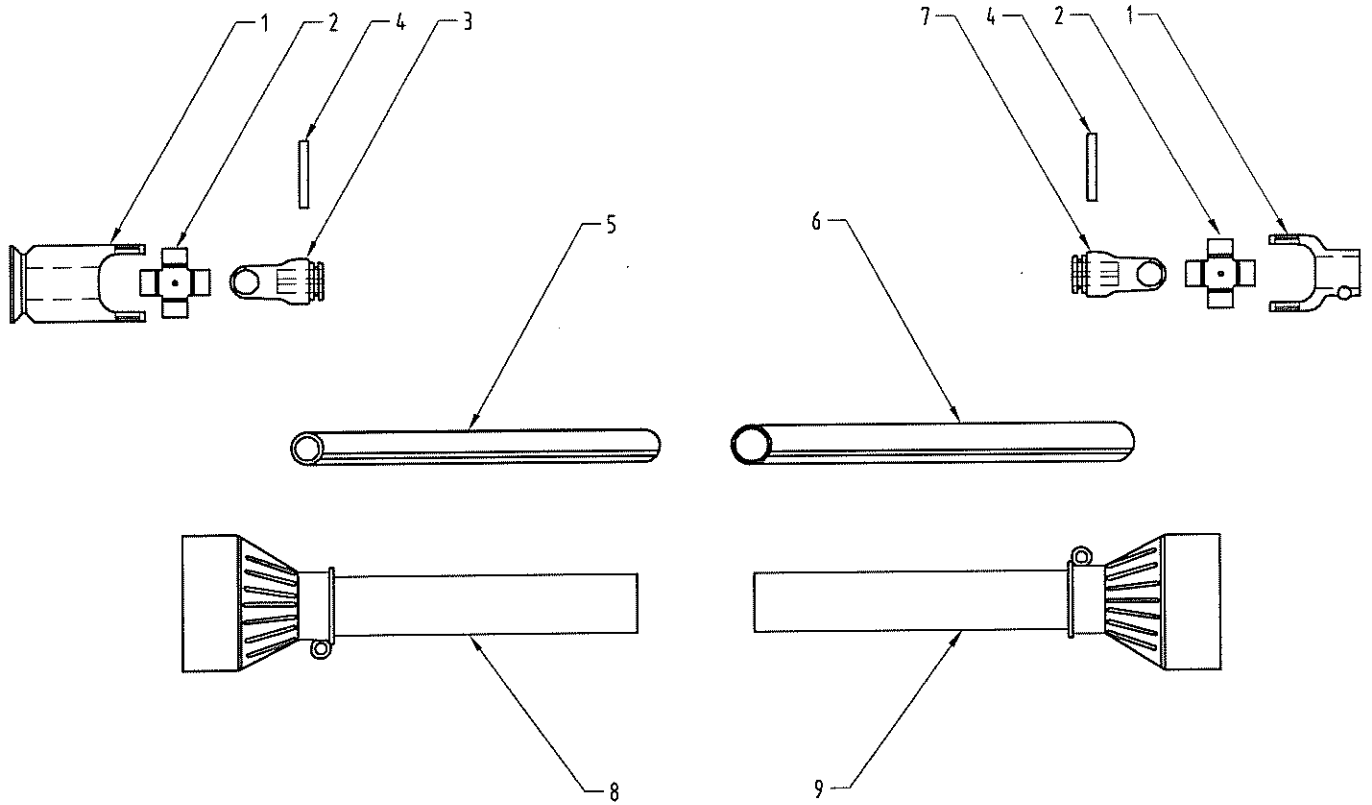
PILOTS & REPLACEMENT PARTS

ITEM No	PART No	DESCRIPTION	No OFF
1	S01933	MFT PILOT Full tungsten	1
2	S01921	EARTH PILOT Forged Standard	1
3	S01922	TUNGSTEN TIPPED PILOT Tungsten Tipped	1
Not Shown	S01871	HARD FACED PILOT as T.T. but Hard Faced	1
4	S01867	DRIVE DOG for Pilot (Large)	1
4A	S01867-1	DRIVE DOG for Pilot (Small)	1
5	S01928	BOLT & NUT for Pilots	1
6	S01874	POCKET for Teeth	1
7	S01918	RUBBER for Teeth	1



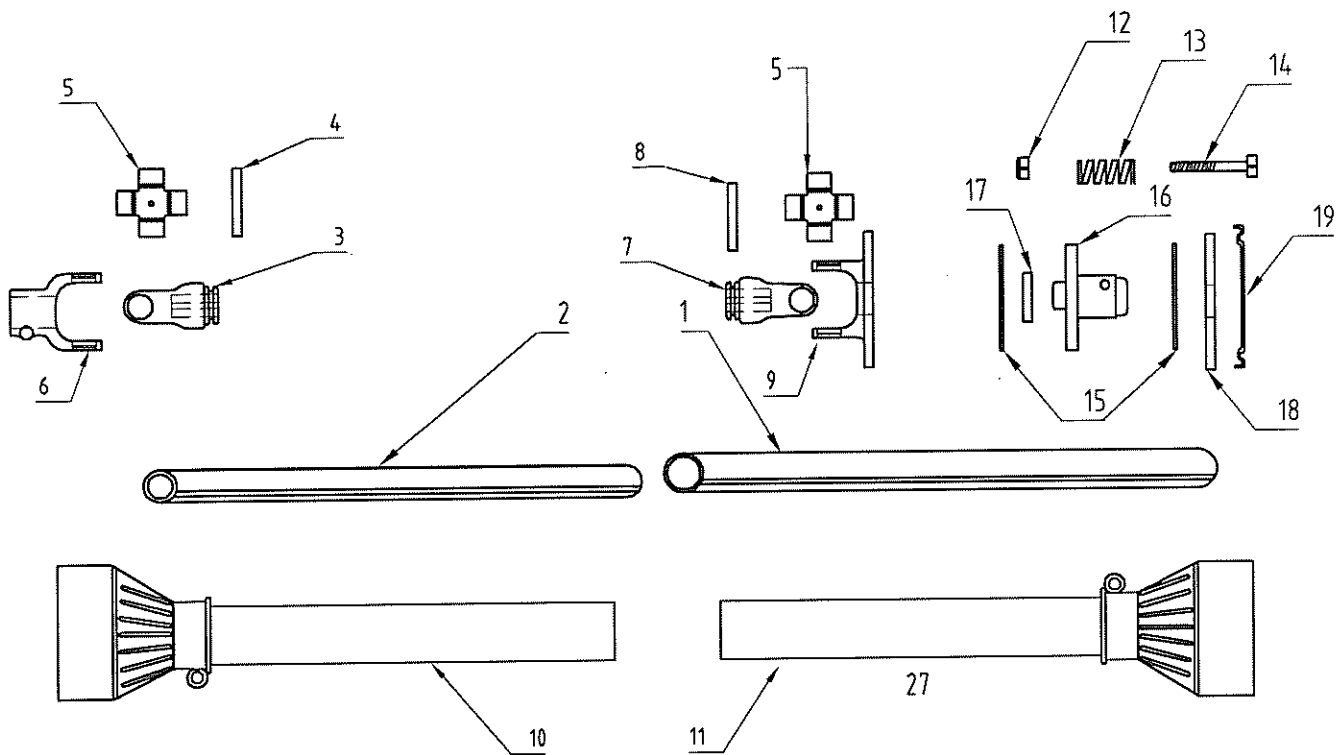
PILOTS & BORING HEAD "Pengo"

ITEM No	PART No	DESCRIPTION	No OFF
1	S2056	BORING HEAD "Pengo" (Large)	1
1A	S2056-1	BORING HEAD "Pengo" (Small)	1
2	S1814	BOLT & NUT 8mmX40 Pilot Retainer	1
3	S1813	BOLT & NUT 10mmX40 Pilot Retainer	1
4	S1819	PILOT EARTH Lge " Pengo" SB30	1
5	S1816	PILOT TUNGSTEN Lge "Pengo" SB35	1
6	S1817	PILOT TUNGSTEN Small "Pengo" SB25	1



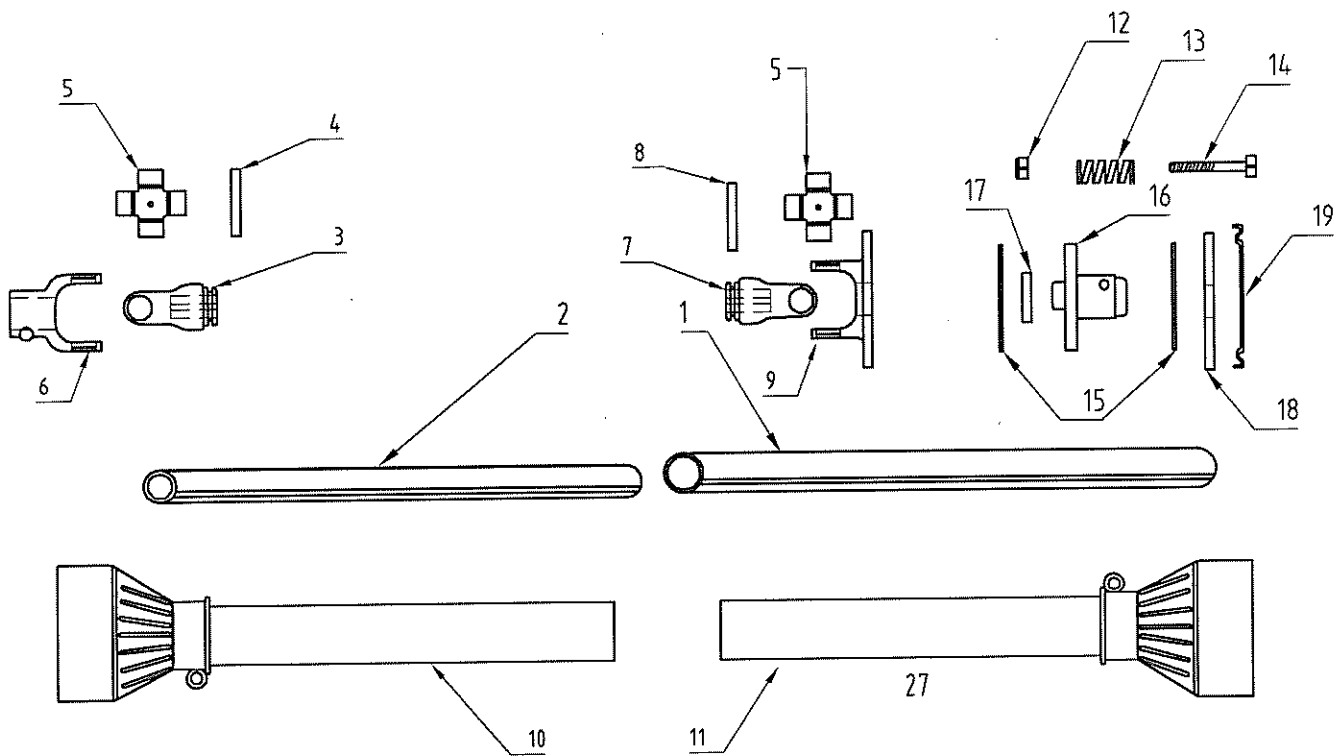
PHD D/SHAFT ANDYLINE - TORQUE LIMITER - MINI DIGGER

ITEM No	PART No	DESCRIPTION	No OFF
1	S2049	Torque Limiter	1
2	S2171	U Joint	2
3	S2172	Male End Yoke	1
4	S2173	Roll Pin	2
5	S2178	Male Tube	1
6	S2183	Female Tube	1
7	S2184	Female And Yoke	1
8	S2189	Male Cover Assy	1
9	S2194	Female Cover Assy	1
	S1864	Complete Driveshaft	1



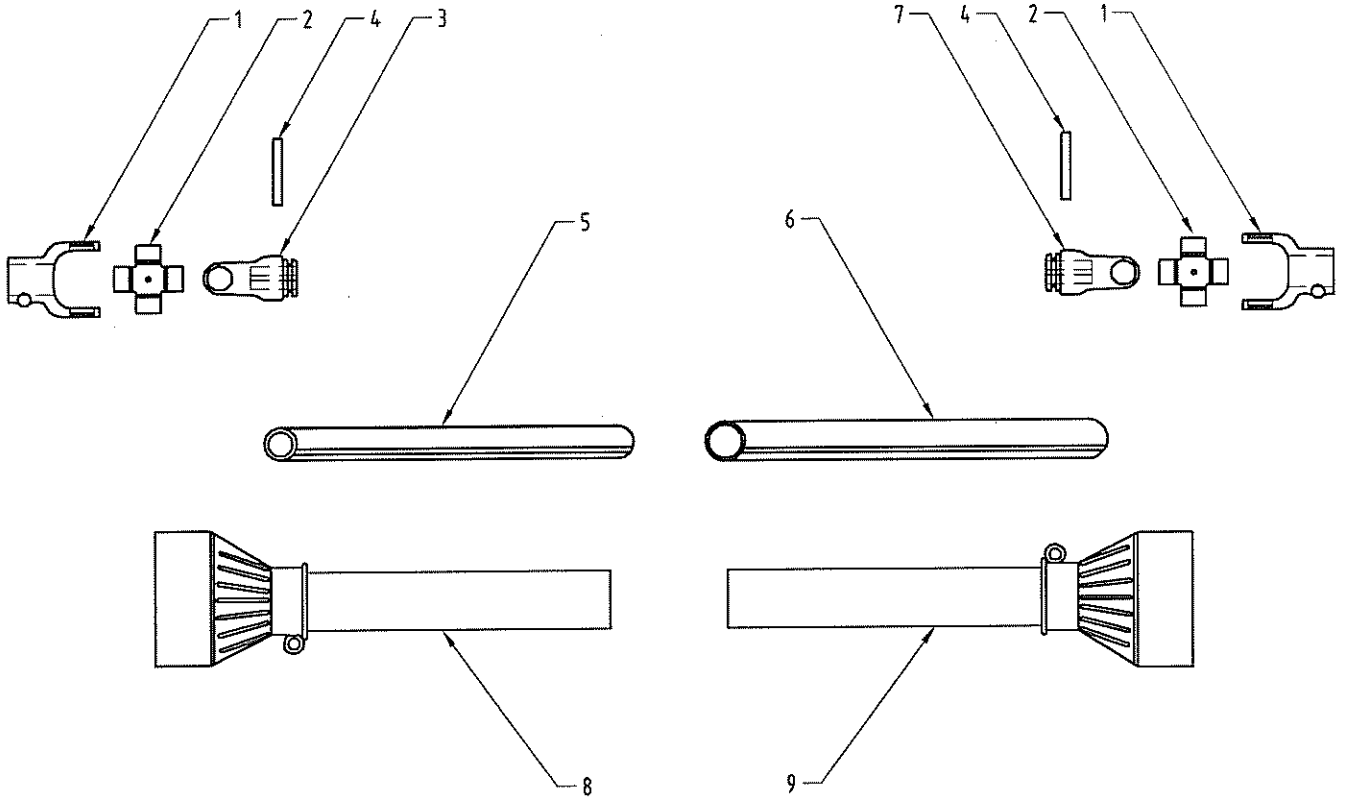
POST HOLE DIGGER DRIVESHAFT W/Schied

ITEM	PART No.	DESCRIPTION	No.OFF
1	S2965	DRIVESHAFT TUBE OUTER	1
2	S2964	DRIVESHAFT TUBE INNER	1
3	S2962	TUBE YOKE INNER	1
4	S2966	ROLL PIN 10 X 65	1
5	S2960	UNIVERSAL JOINT	1
6	S2969	YOKE QR. 1 3/8 X 6	1
7	S2963	TUBE YOKE OUTER	1
8	S2967	ROLL PIN 10 X 75	1
9	S2951	FLANGE YOKE	1
10	S2970	INNER TUBE COVER	1
11	S2971	OUTER TUBE COVER	1
12	S2957	NUT M12	8
13	S2959	SPRING	8
14	S2955	BOLT M12 X 90	8
15	S2952	LINING	2
16	S2953	DRIVE FLANGE HUB 1 3/8 X 6	1
17	S2972	BEARING (FLANGE HUB)	1
18	S2973	COVER PLATE	1
19	S2954	THRUST PLATE	1
20	S1857	DRIVESHAFT COMPLETE W/- CLUTCH W/SCHD	1



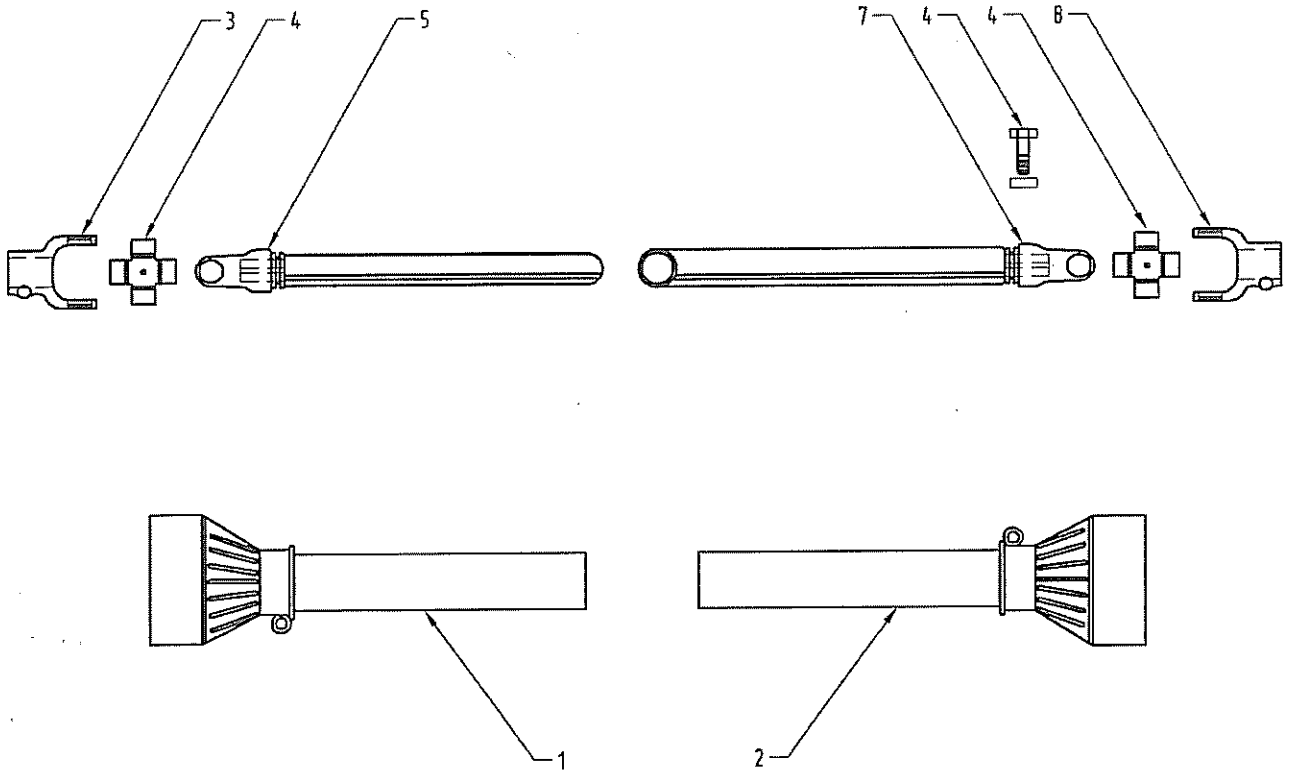
POST HOLE DIGGER DRIVESHAFT Bypy

ITEM	PART No.	DESCRIPTION	No.OFF
1	S1380	DRIVESHAFT TUBE OUTER	1
2	S1379	DRIVESHAFT TUBE INNER	1
3	S1377	TUBE YOKE INNER	1
4	S1378	ROLL PIN 10 X 65	1
5	S7206	UNIVERSAL JOINT	1
6	S7212	YOKE QR. 1 3/8 X 6	1
7	S1381	TUBE YOKE OUTER	1
8	S1382	ROLL PIN 10 X 75	1
9	S1452	FLANGE YOKE	1
10	S7195	INNER TUBE COVER	1
11	S7194	OUTER TUBE COVER	1
12	S1449	LOCK NUT	8
13	S1450	SPRING	8
14	S1458	BOLT	8
15	S1453	LINING	2
16	S1455	DRIVE FLANGE HUB 1 3/8 X 6	1
17	S1454	BEARING (FLANGE HUB)	1
18	S1456	FRONT PLATE	1
19	S1457	COVER PLATE	1
20	S2169	DRIVESHAFT COMPLETE W/- CLUTCH Bypy	1



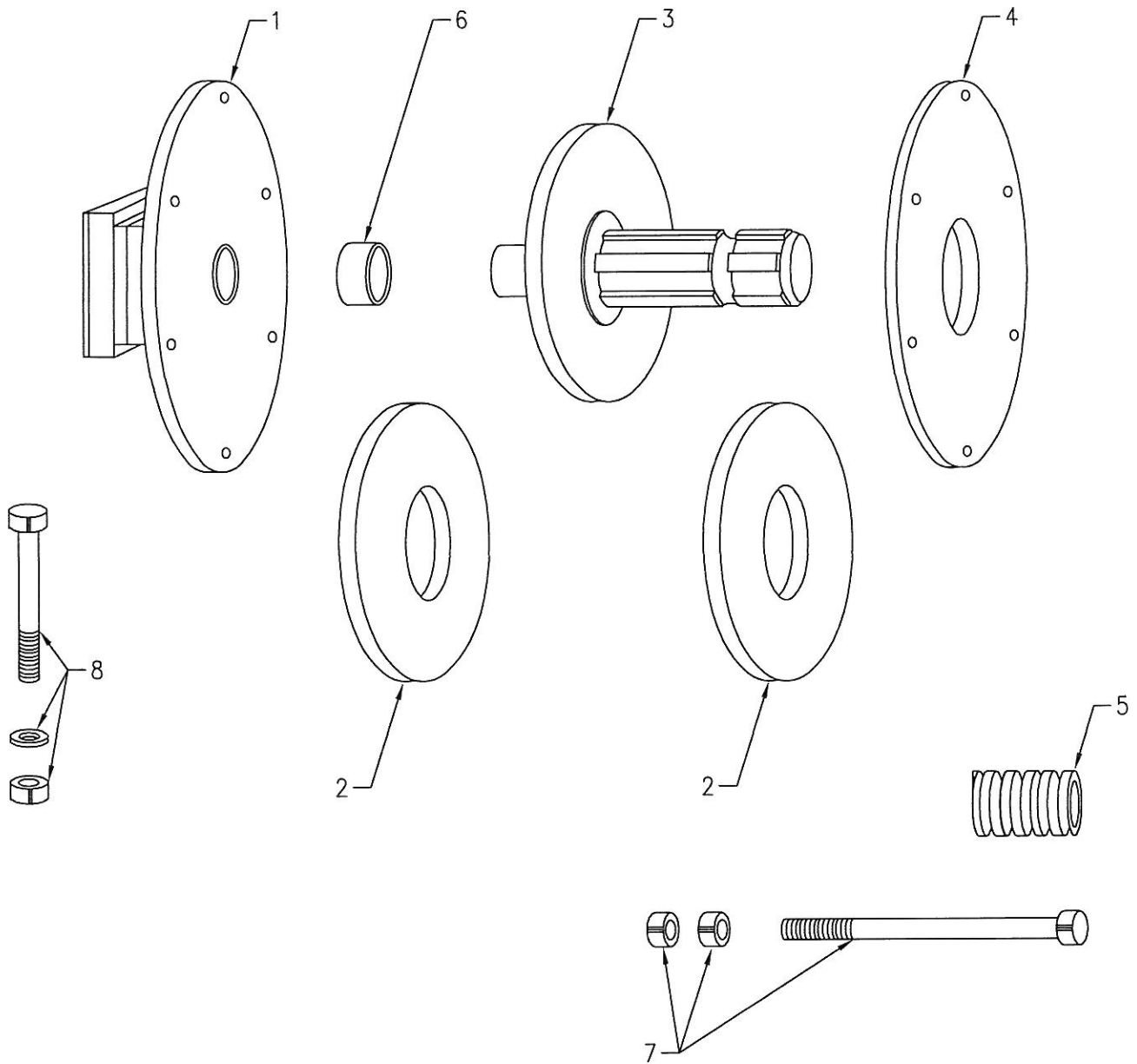
POST HOLE DIGGER DRIVESHAFT BYPY - STD

ITEM	PART No.	DESCRIPTION	No. OFF
1	S2170	1 3/8" x 6 Pline Q.R. Yoke	2
2	S2171	U Joint	2
3	S2172	Male End Yoke	1
4	S2173	Roll Pin	2
5	S2178	Male Tube	1
6	S2183	Female Tube	1
7	S2184	Female And Yoke	1
8	S2189	Male Cover Assy	1
9	S2194	Female Cover Assy	1
	S2169	Complete Driveshaft	1



POST HOLE DIGGER DRIVESHAFT JAYBEN

<i>ITEM</i>	<i>PART No.</i>	<i>DESCRIPTION</i>	<i>No. OFF</i>
1	S2170	Female Plastic Cover Assy	1
2	S2171	Male Plastic Cover Assy	1
3	S2172	Quick Release Yoke	1
4	S2173	Cross Pack Kit	2
5	S2178	Bar Yoke	1
	S2183	Bar Yoke Assy (5, 4, 3)	1
6	S2184	Yoke Clamp Bolt & Nut Assy	1
7	S2189	Tube Yoke	1
	S2194	Tube Yoke Assy	1
8	S2169	Yoke Clamp Type	1
		Drive Shaft Complete	1



POST HOLE DIGGER CLUTCH ASSY.

ITEM No.	PART No.	DESCRIPTION	No. OFF
1	S3129	1 3/8" x 6 SPLINE BASE ASSY. (INCLUDES BUSH)	1
1	S4022	1 1/4" ROUND BORE 1/4" KEYWAY BASE ASSY. (INCLUDES BUSH)	1
2	S3127	FRICTION DISC 5" O.D. x 1 3/4" I.D.	2
3	S3228	1 3/8" x 6 SPLINE DRIVE PLATE 5" O.D. 1 1/8" DIA SPIGOT	1
4	S3126	PRESSURE PLATE	1
5	S4100	SPRING (6 REQ.)	6
6	S4103	BUSH 1 1/8" I.D.	1
7	S4101	CLUTCH BOLT AND LOCK NUTS	6
8	S4030	CLAMP BOLT, NUT AND S'WASHER	2 per set
	S3125	CLUTCH ASSY. COMPLETE	1

INSTRUCTION MANUAL & PARTS LIST

FOR

**HPHD12M-75Hp Hyd
Extra Heavy Duty Post Hole Digger
&
HPHD12H-90Hp Hyd
Extra Heavy Duty Post Hole Digger**

SAFETY PRECAUTIONS FOR THE OPERATION OF POST HOLE DIGGER

In addition to the design and configuration of equipment, hazard control and accident prevention are dependent upon the awareness, concern, prudence and proper training of personnel in the operation, transportation, maintenance and storage of equipment. Lack of attention to safety can result in accident, personal injury, reduction of efficiency and worst of all, loss of life. Watch for safety hazards and correct deficiencies promptly. Use the following safety precautions as a general guide to safe operations when using these Post Hole Diggers. Additional safety precautions are used throughout this manual for specific operating and maintenance procedures. Read this manual often and review the safety precautions on a continual basis.

THE TRACTOR

1. Read the tractor operator's manual to learn how to operate your tractor safely. Failure to do so could result in serious injury or death. Equipment damage may also result from improper use.
2. It is recommended that the tractor be equipped with a Rollover Protective System (ROPS) and a seat belt be used for all Post Hole Digger operations.
3. Add wheel ballast for stability.
4. Move wheels to the manufacturer's widest recommended settings to increase stability.
5. Stop tractor engine, place transmission in park (or neutral), engage parking brake, lower Post Hole Digger to the ground, cycle all hydraulic controls to relieve pressure, allow machine moving parts to stop, remove ignition key to prevent unauthorized person from starting engine before dismounting tractor or servicing, repairing, or making adjustments to the equipment.
6. Wear personal protective equipment (PPE), such as, but not limited to, protection for eyes, ears, lungs, head, hands and feet when operating, servicing, or repairing equipment. Avoid wearing loose clothing or jewelry that may catch and entangle on equipment moving parts.
7. Use sway bars, sway chains or rigid stabilizers to eliminate the 3 point hitch linkage sway and to stabilize the Post Hole Digger behind the tractor. As viewed from behind the tractor, the 3 point lift arms should be adjusted to position the auger vertically.
8. Never use alcoholic beverages or drugs which can effect alertness or coordination while operating equipment.

THE POST HOLE DIGGER

1. Read the Post Hole Digger manual. Any person who has not read and understood all operating and safety instructions is not qualified to operate this equipment. Failure to do so could result in serious injury or death and equipment damage.
2. Become familiar with all the machine's controls and all the caution, warning and danger decals affixed to the machine before attempting to start to operate.

SAFETY PRECAUTIONS FOR THE OPERATION OF POST HOLE DIGGER

3. Do not allow children to operate Post Hole Digger. Do not allow adults to operate Post Hole Digger without proper instructions.
4. Before starting or operating the Post Hole Digger, make a walk around inspection and check for obvious defects such as loose, damaged or worn components. Correct any deficiency before starting.
5. Do not operate Post Hole Digger without all guards and shields in place and in good condition.
6. Do not operate with worn, broken or missing auger pilots and cutting teeth.
7. Avoid serious injury or equipment damage by replacing worn or broken shear bolts or pins with Superior specified size and grade shear bolts or pins.
8. Never use unspecified long pins, bolts or bars to replace drive line shear bolts, pins or auger bolts. Avoid serious injury or death from entanglement in this long protruding part and damage to drive line, gearbox or auger.
9. Keep the work area clear of objects which might be picked up, thrown or be entangled in the auger.
10. Keep the area of operation clear of all persons particularly small children and pets. Stop operation when ever any one comes within the operating area.
11. Never operate Post Hole Digger with anyone near or in contact with the Post Hole Digger, PTO drive line, or auger.
12. Keep body parts, loose clothing, hands and feet clear of auger, PTO drive line and gearbox during operation.
13. Do not transport persons on tractor or Post Hole Digger.
14. Do not use body weight to force Post Hole Digger auger into the ground during digging operation or locate auger while turning.
15. Shut off power and stop auger when transporting.
16. Do not raise Post Hole Digger more than 300 mm (12") off the ground with the tractor PTO engaged.
17. Consult local council or shire, telstra, etc. before digging commences...for location of buried gas, water, electrical, telephone cables, etc., in the work area.

SUPERIOR EQUIPMENT Australia Pty Ltd

Multi Head Mowers, Slashers, Vineyard Mowers, Pasture Toppers, Post Hole Diggers, Grader Blades, Cotton Shredders, Flail Mowers, Aerators and associated Equipment.

- **Operational Safety Instructions**

- Before operating any Equipment it is your duty to read all Safety Labels and Warning Decals and Operating Manuals and fully comprehend their meaning.
- Safety Labels and Warning Decals are there to make people aware that Safety is in the Hands of the Operator whilst operating Equipment of this nature.

- **WARNING !!**

- **KEEP CLEAR!!**

-

- **OPEN DISCHARGE AREA**

-

- **DO NOT Operate while people or stock are at risk in the discharge area.**

- **DO NOT stand on the Equipment while PTO is engaged or Equipment is Operational.**

- **DO NOT approach rear of Equipment while PTO is Engaged or Equipment is Operational.**

- **DO NOT Operate in conditions where stones, sticks or solid objects may be discharged from the Equipment.**

SAFETY INSTRUCTIONS FOR POST HOLE DIGGER

Never operate post hole digger whilst tractor is
MOVING in **FORWARD** or **REVERSE** direction

Adjust Slip Clutch to achieve drive do not **OVER TIGHTEN** (breakage's will occur)

Keep **HANDS , FEET & CLOTHING CLEAR** of
AUGER, DRIVE SHAFT & GEARBOX moving parts at all times.

Use **MILD STEEL** Shear Bolts in Augers.

Keep **BYSTANDERS CLEAR WHEN DIGGER is in OPERATION**

Never use **SHOVEL, CROW BARS** or other **HAND TOOLS** whilst
AUGER is in OPERATION. (If they are to be used **OPERATOR**
MUST MAKE SURE POST HOLE DIGGER IS NOT
ACTIVE, turn **P.T.O. OFF,** and make sure **TRACTOR IS IN**
NEUTRAL.)

Never Remove any **SHIELD or SAFETY DEVICE**
it is there for **YOUR PROTECTION**

SUPERIOR POST HOLE DIGGERS SHOULD ONLY
BE USED BY EXPERIENCED OPERATORS.

REMEMBER OPERATOR SAFETY
IS
IN YOUR HANDS !!!

OPERATING INSTRUCTIONS SUPERIOR POST HOLE DIGGER

(Models PD8, PD12, PHD12M, PHD12H.)

SETTING UP YOUR DIGGER. CONNECTING TO TRACTOR

1. Connect Top Ball Link to TRACTOR. (Cat 2 Fitted as standard)
2. Fit Cat 1 Sleeve if tractor is fitted w/- Cat1 Linkage (1" Dia. To 3/4" Dia.)
3. Connect Bottom Linkage Arms onto TPL Pins. (in "A"frame)
4. Make sure Lynch Pins are used in all pins connecting PHD to Tractor.
5. Connect P.T.O Shaft to Post Hole digger clutch and connect other end to Tractor.

6. Raise Jib using T.P.L. Tractor Hydraulics , Raise to full height check P.T.O. Shaft is correct length, (too short and the P.T.O shaft will come apart during operation)
Approx. 250 mm - 300 mm (10" -12") minimum drive allowable, too long and post hole digger will not dig to full depth.
7. Auger should now be clear of ground. (Adjust holes on Tower "A"frame for more clearance if desired.)
8. CHECK OIL LEVEL in GEARBOX BEFORE PROCEEDING. (Oil Filler in front or top, oil level on side 115 mm (4.5 ") approx. from bottom.)Fill till oil comes out of level plug.
9. Keep bystanders clear, Start tractor PTO and make sure Auger rotates ok..if everything is ok ..proceed to the position where you require the hole to be dug.
10. Align auger in desired hole position, make sure auger is vertical, start tractor PTO engine speed should be just above idle.
11. Lower TPL allow auger to penetrate the ground under its own weight, Lift TPL to clear soil from hole from time to time 3 to 4 times or more if soil is very dry or clay conditions , failure to do this will result in auger being buried to full depth which will require digging the auger out of the hole by hand.
12. SAFETY STARTS WITH THE OPERATOR, READ & UNDERSTAND ALL SAFETY REQUIREMENTS on PAGE 5. BEFORE OPERATING THIS POST HOLE DIGGER..
13. GREASE P.T.O. SHAFT & UNIVERSALS DAILY
14. GREASE :- All Purpose EPL2
15. OIL :- 85W - 140 EP GEAR OIL (approx. 4.5 Litres)

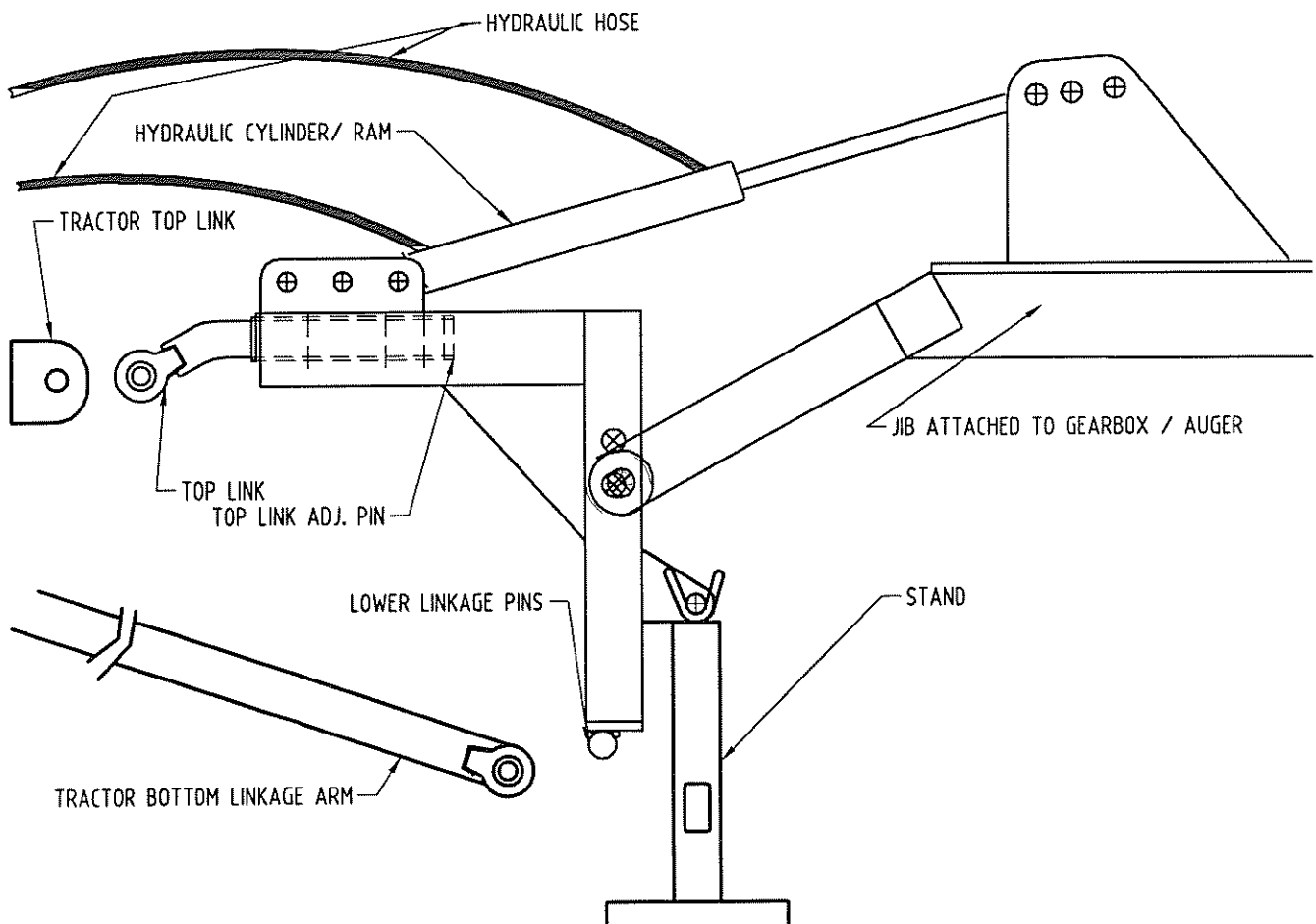
OWNERS NOTES

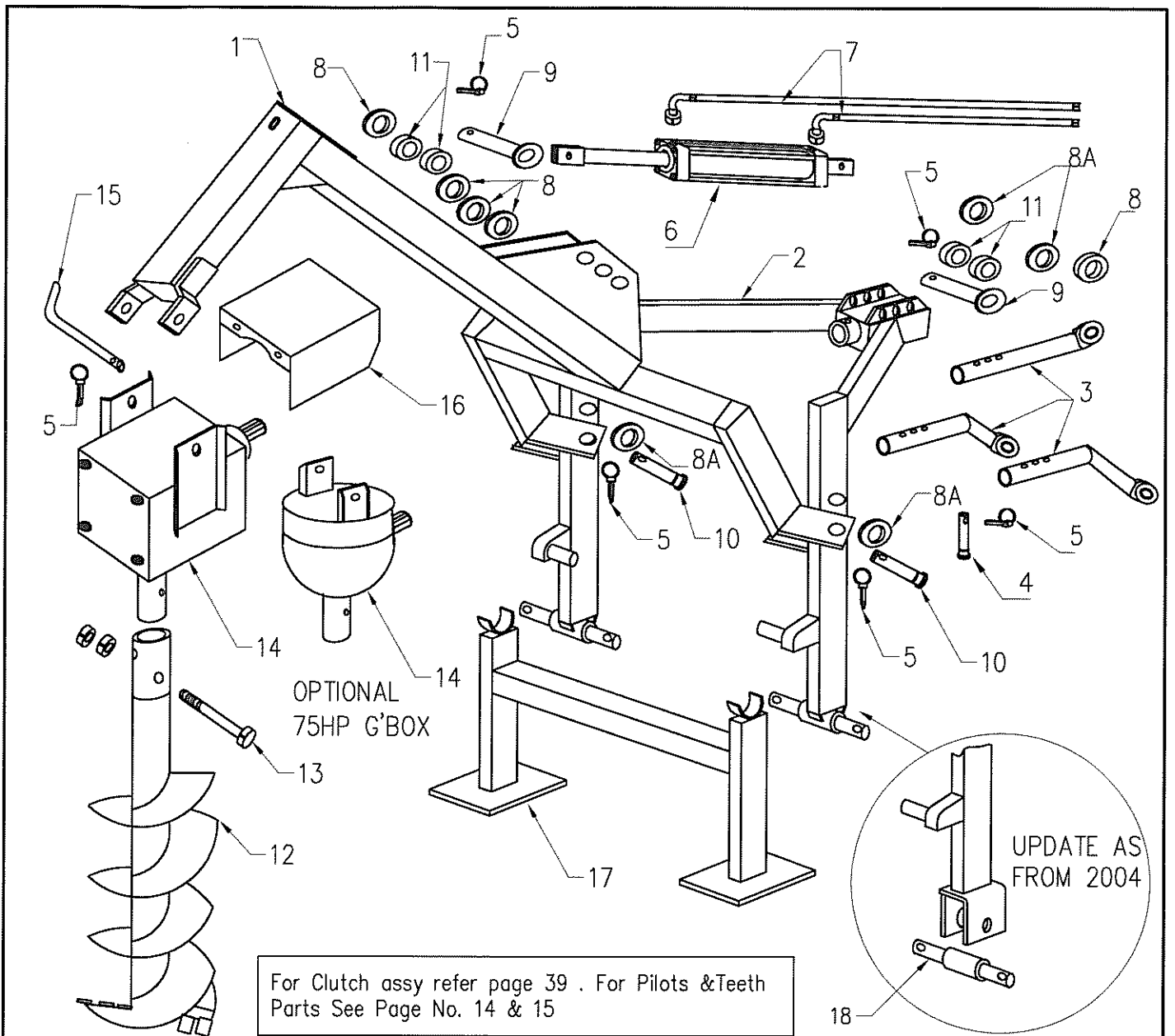
16. Machine Serial No. _____
17. Date Purchased _____
18. Date Warranty Returned to Superior _____

USE OF HYDRAULIC THRUST POST HOLE DIGGER STAND ATTACHING TO TRACTOR

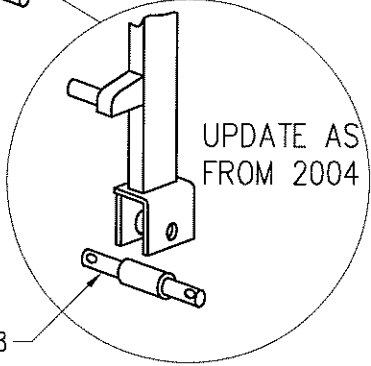
- 1) Attach lower lift arms to hyd.thrust post hole digger
- 2) Attach hydraulic hoses to tractor remotes
- 3) Raise tractor linkage arms (digger clear of stand)
- 4) Align digger top link to tractor (adjust top link extension)
- 5) Use digger ram & linkage arms to align, pin top link to tractor.
- 6) When digger is connected place tractor hydraulic lever in "float" position (some tractors have down thrust as well as lift)
- 7) NEVER USE TRACTOR HYDRAULIC LEVER TO RAISE OR LOWER LINKAGE ARMS WHILE DIGGER IS ATTACHED TO ALL 3 POINTS
COSTLY DAMAGE WILL / MAY RESULT

DETACH FROM TRACTOR IN THE REVERSE MANNER

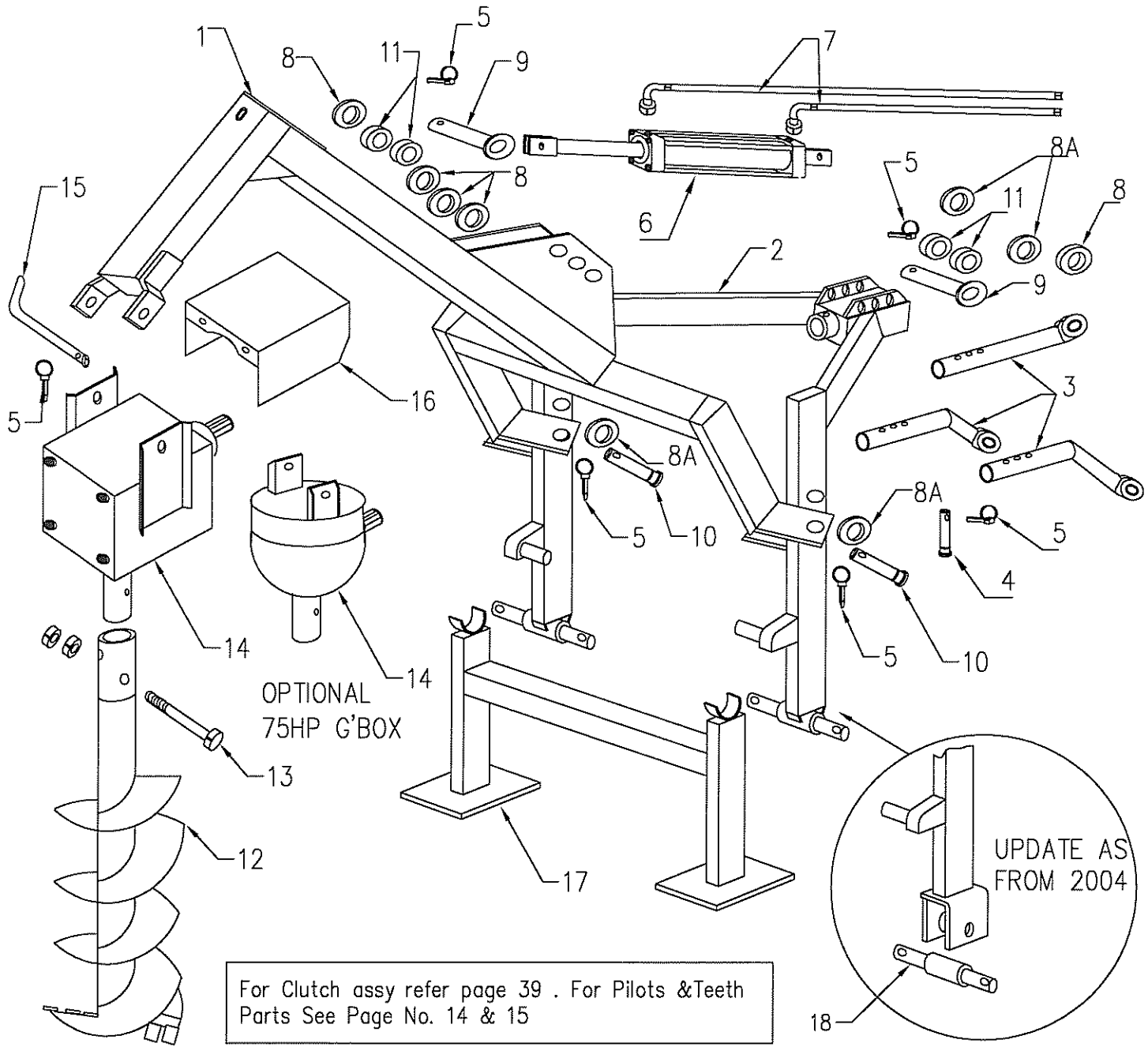




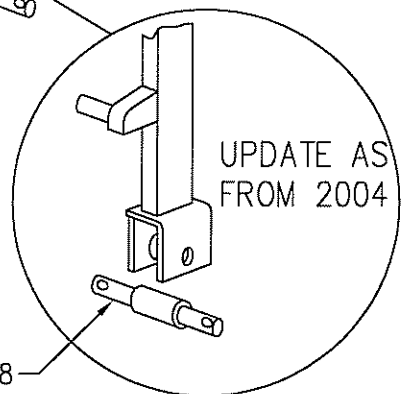
For Clutch assy refer page 39 . For Pilots & Teeth
Parts See Page No. 14 & 15



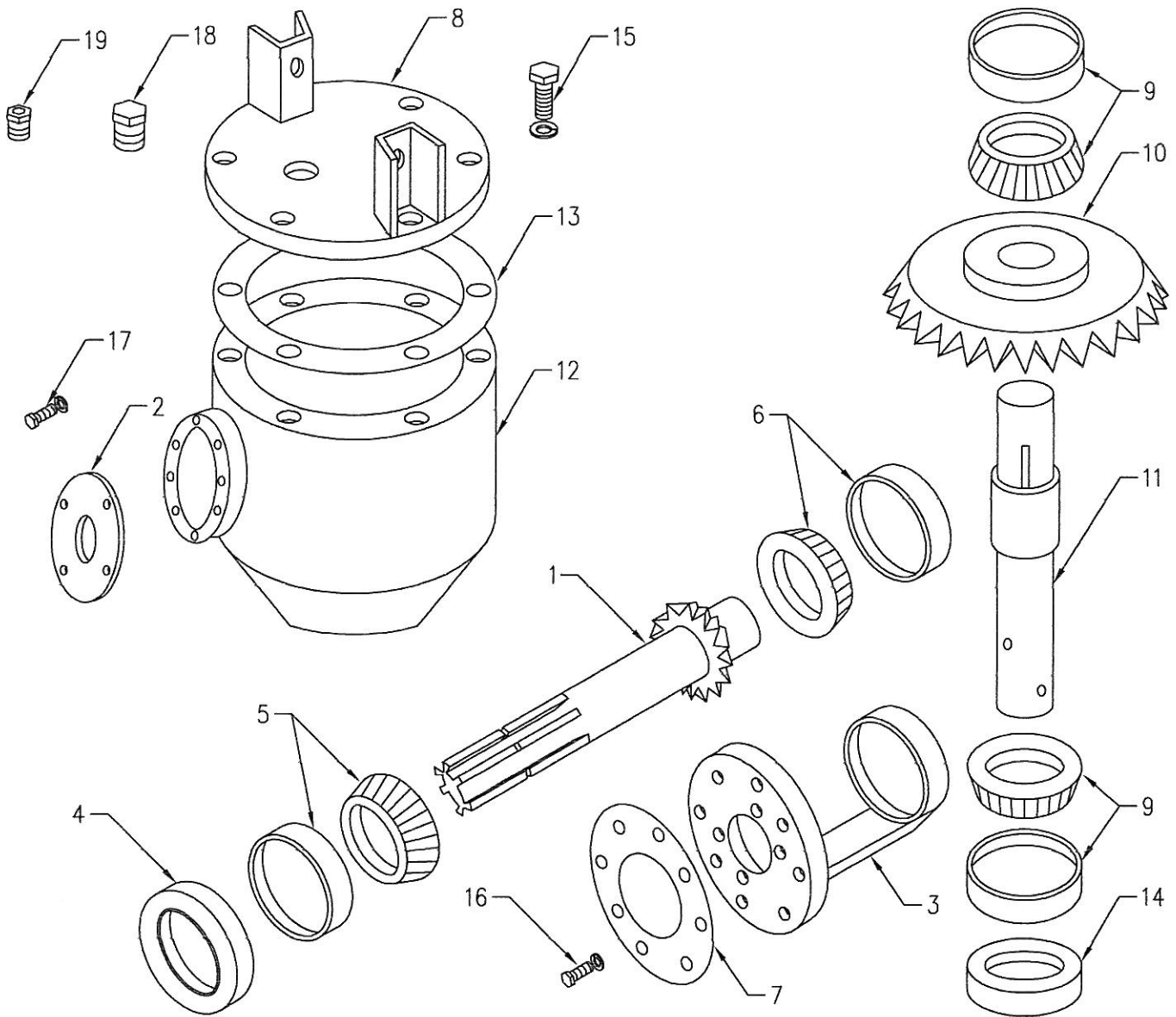
HYDRAULIC POST HOLE DIGGER			
ITEM	PART No.	DESCRIPTION	No.OFF
1	S01850	HYDRAULIC MAIN JIB	1
2	S01851	HYDRAULIC TOWER - UPDATE AS FROM 2004	1
3	S01853-1	POST HOLE DIGGER HYDRAULIC TOWER TOP LINK BENT 21" LONG	1
3	S01853-2	POST HOLE DIGGER HYDRAULIC TOWER TOP LINK STRAIGHT 21" LONG (OPTIONAL)	1
3	S01853-3	POST HOLE DIGGER HYDRAULIC TOWER TOP LINK BENT 31" LONG (OPTIONAL)	1
4	S01854	TOP LINK PIN	1
5	S04011	LYNCH PIN	5
6	S02528	HYDRAULIC CYLINDER (2 1/2 x 12) (CURRENT)	1
6	S01845	HYDRAULIC CYLINDER (2 x 12) AS FROM 5/6/2000 (OBSOLETE)	1
7	S01863	HYDRAULIC HOSE SET (600, 1200)	1 SET
8	S04234	WASHER HEAVY 1"	7
8A	S04227	WASHER LIGHT 1"	4
9	S01855	HYDRAULIC CYLINDER PIN	2
10	S01839	PIN SUITS JIB TO TOWER	2
11	S01856	BUSH SUIT HYDRAULIC CYLINDER	4
12	S01925	AUGER 12" DOUBLE CUT	1
13	S03130	RETAINER BOLT & NUTS (AUGER)	1
14	S01838	GEARBOX ASSEMBLY 90 HP COMPLETE - STD	1
15	S07166	GEARBOX ASSEMBLY 75HP COMPLETE - OPTIONAL	1
16	S01912	MAIN GEARBOX PIN	1
17	S01926	CLUTCH COVER	1
18	S07167	STAND	1
19	S07229	PIN	2
20	S01862	HYDRAULIC PHD 90 HP STD - COMPLETE	1



For Clutch assy refer page 39 . For Pilots &Teeth
Parts See Page No. 14 & 15

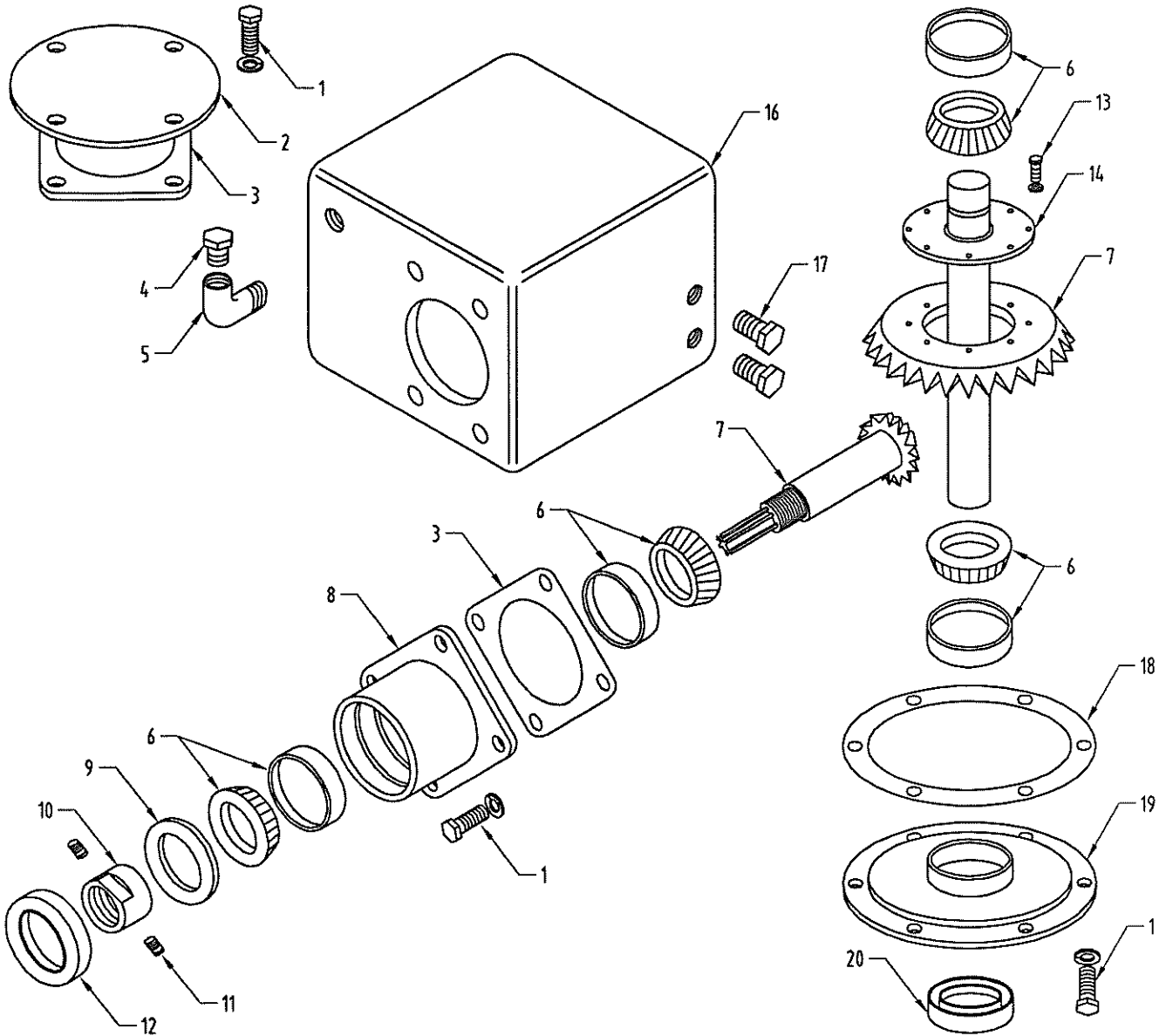


HYDRAULIC POST HOLE DIGGER			
ITEM	PART No.	DESCRIPTION	No.OFF
1	S01850	HYDRAULIC MAIN JIB	1
2	S01851	HYDRAULIC TOWER - UPDATE AS FROM 2004	1
3	S01853-1	POST HOLE DIGGER HYDRAULIC TOWER TOP LINK BENT 21 INCH LONG	1
3	S01853-2	POST HOLE DIGGER HYDRAULIC TOWER TOP LINK STRAIGHT 21 INCH LONG (OPTIONAL)	1
3	S01853-3	POST HOLE DIGGER HYDRAULIC TOWER TOP LINK BENT 31 INCH LONG (OPTIONAL)	1
4	S01854	TOP LINK PIN	1
5	S04011	LYNCH PIN	5
6	S02528	HYDRAULIC CYLINDER (2 1/2 X 12) (CURRENT)	1
6	S01845	HYDRAULIC CYLINDER (2 X 12) as from 5/6/2000 (OBSOLETE)	1
7	S01863	HYDRAULIC HOSE SET	1 SET
8	S04234	WASHER HEAVY 1"	7
8A	S04227	WASHER LIGHT 1"	4
9	S01855	HYDRAULIC CYL. PIN	2
10	S01839	PIN Suits Jib to Tower	2
11	S01856	BUSH Suit Hyd. Cylinder	4
12	S01925	AUGER 12" DOUBLE CUT	1
13	S03130	RETAINER BOLT & NUTS (AUGER)	1
14	S01838	GEARBOX ASSEMBLY 90HP COMPLETE - STD	1
14	S07166	GEARBOX ASSEMBLY 75HP COMPLETE - OPTIONAL	1
15	S01912	MAIN GEARBOX PIN	1
16	S01926	CLUTCH COVER	1
17	S07167	STAND	1
18	S07229	PIN	2
19	S01862	HYDRAULIC PHD 90HP STD - COMPLETE	1



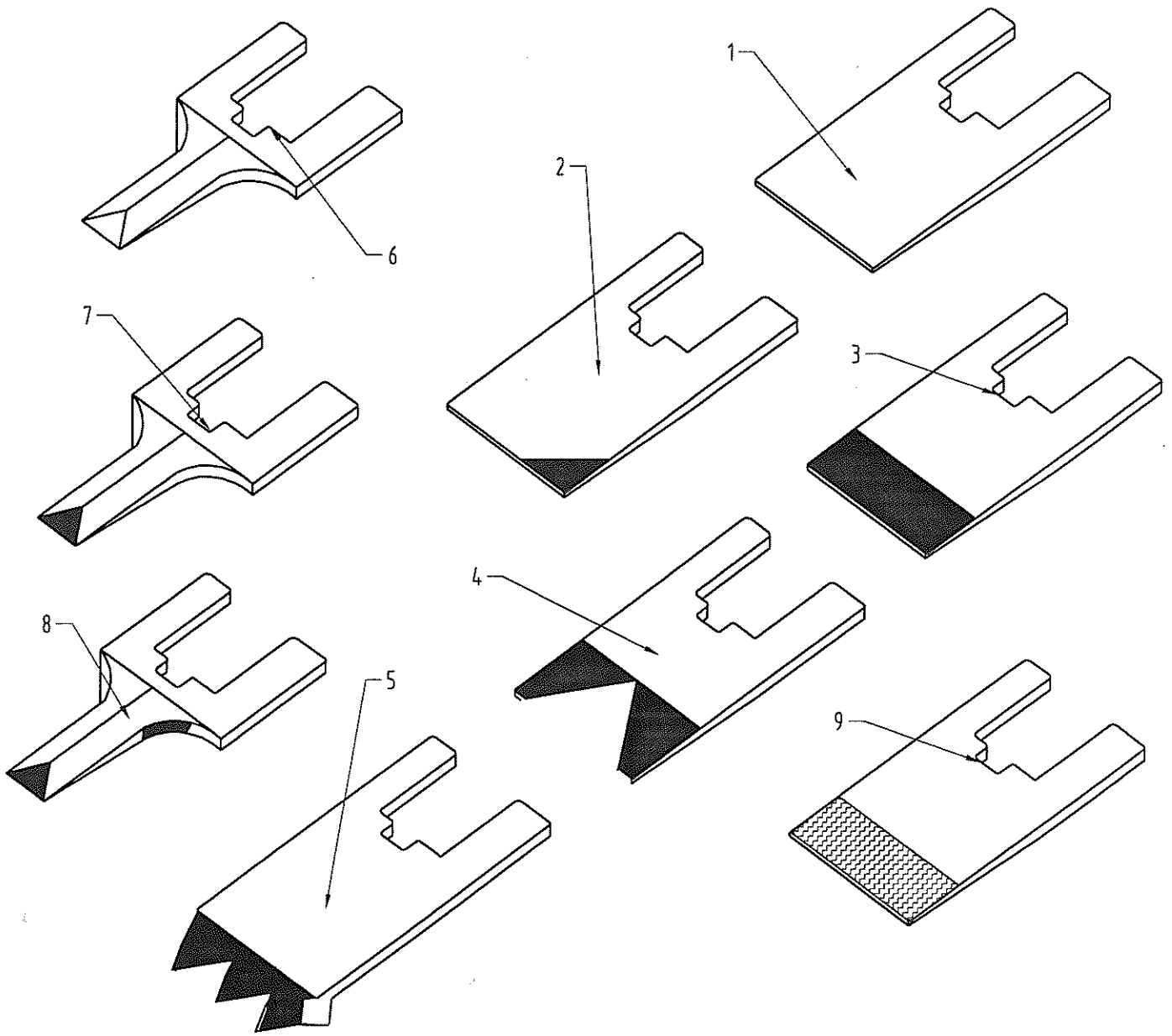
BARE-CO 75H.P. POST HOLE DIGGER GEARBOX

ITEM	PART No.	DESCRIPTION	No.OFF
1	S07157	PINION - 1 3/8" x 6 SPLINE	1
2	S07158	OUTER CAP	1
3	S07159	PINION SUPPORT HOUSING	1
4	S07160	INPUT SEAL	1
5	S07151	INPUT FRONT BEARING ASSY.	1
6	S07147	INPUT REAR BEARING ASSY.	1
7	S07165	SHIM GASKETS	AS REQ.
8	S07161	TOP COVER	1
9	S07138	OUTPUT BEARING ASSY.	2
10	S07162	OUTPUT GEAR	1
11	S07163	OUTPUT SHAFT	1
12	S07164	MAIN HOUSING	1
13	S07165	TOP SHIM GASKET	AS REQ.
14	S07146	OUTPUT SEAL	1
15	S03494	BOLT & S'WASHER	8
16	S03292	BOLT & S'WASHER	8
17	S03479	BOLT & S'WASHER	4
18	S06206	FILLER BREATHER PLUG	1
19	S01017	OIL LEVEL PLUG	1
20	S07166	GEARBOX COMPLETE	



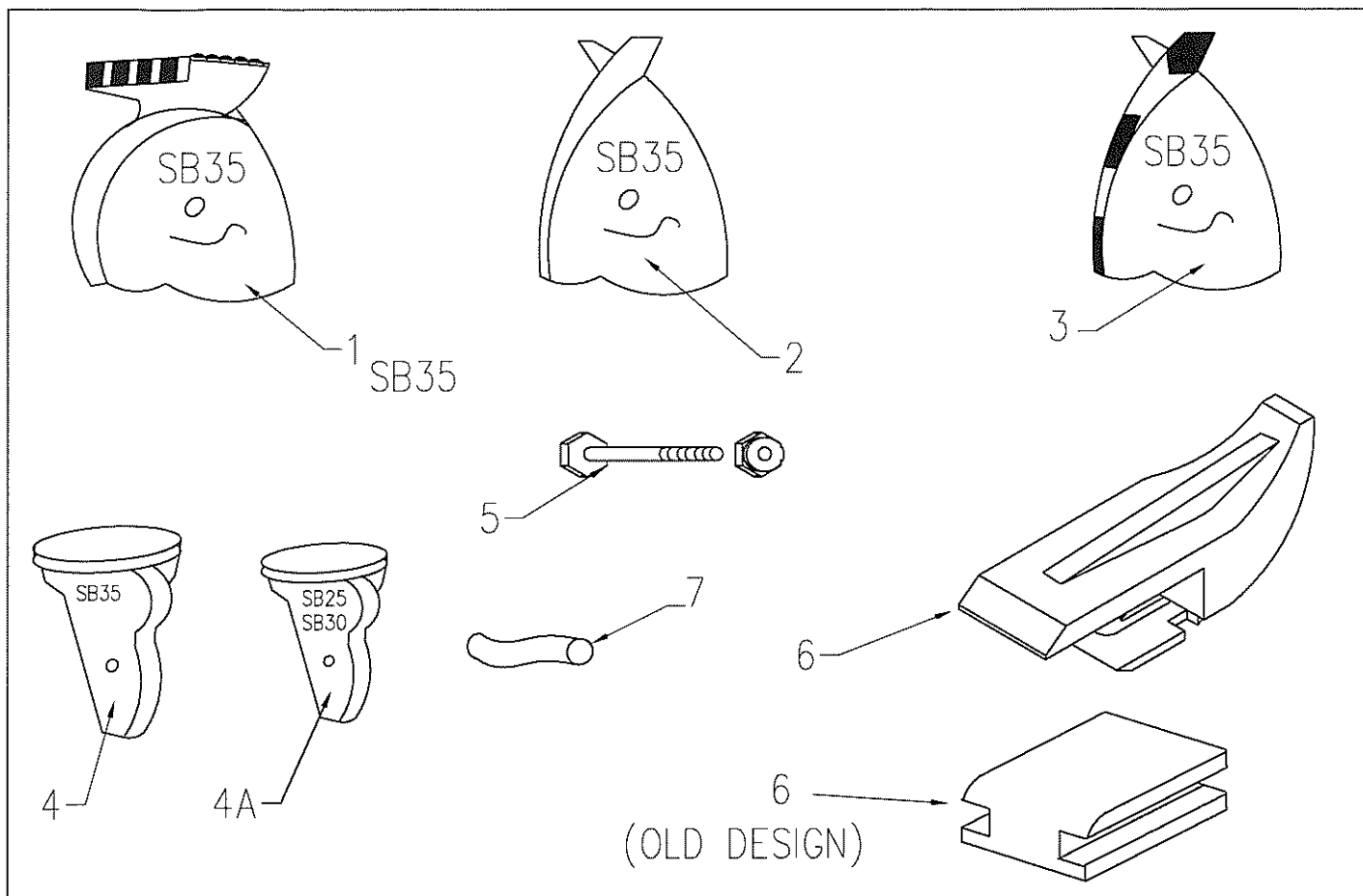
POST HOLE DIGGER H/D GEARBOX - 90HP SUPERIOR

ITEM	PART No.	DESCRIPTION	No.OFF
1	S1910	BOLT AND S'WASHER	14
2	S1901	TOP BEARING END CAP	1
3	S1909	SHIMS 0.005/0.010	AS REQ.
4	S1018	FILLER BREATHER PLUG	1
5	S1932	ELBOW	1
6	S1010	INPUT AND OUTPUT BEARING CUP AND CONE	4
7	S1905	GEAR AND PINION PR.	1
8	S1904	FRONT CARTRIDGE	1
9	S1929	FRONT SPACER	1
10	S1908	SLEEVE NUT	1
11	S1930	GRUB SCREW	2
12	S1907	FRONT SEAL	1
13	S1931	RET BOLT AND S'WASHER	8
14	S1923	OUTPUT SHAFT	1
16	S1902	GEARBOX HOUSING	1
17	S1017	LEVEL AND DRAIN PLUGS	2
18	S1004	SHIMS 0.005/0.010	AS REQ.
19	S2003	END PLATE	1
20	S1015	BOTTOM SEAL	1
	S1901	GEARBOX COMPLETE	



TEETH FOR SUPERIOR DIGGERS

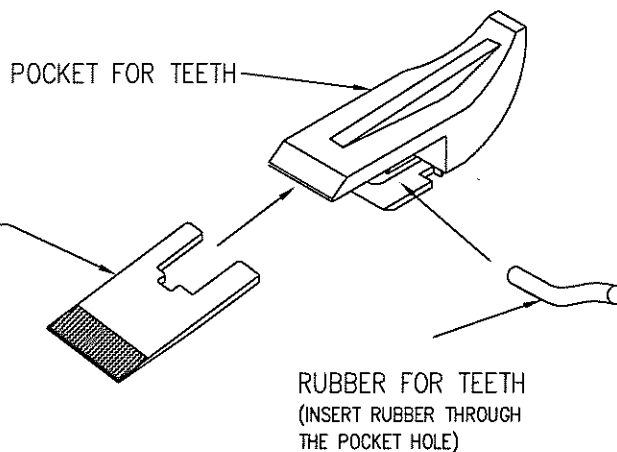
ITEM No	PART No	DESCRIPTION	No OFF
1	S1917	EARTH TOOTH	1
2	S1920	TUNGSTEN TIPPED TOOTH	1
3	S1934	FULL TUNGSTEN TOOTH	1
4	S1870	V" BLACK SOIL TOOTH	1
5	S1943	MFT TOOTH	1
6	S1848	CHISEL TOOTH	1
7	S1847	TUNGSTEN TIPPED CHISEL TOOTH	1
8	S1846	MFT CHISEL TOOTH	1
9	S1919	HARD FACED TOOTH	1



ASSEMBLY OF TOOTH TO POCKET

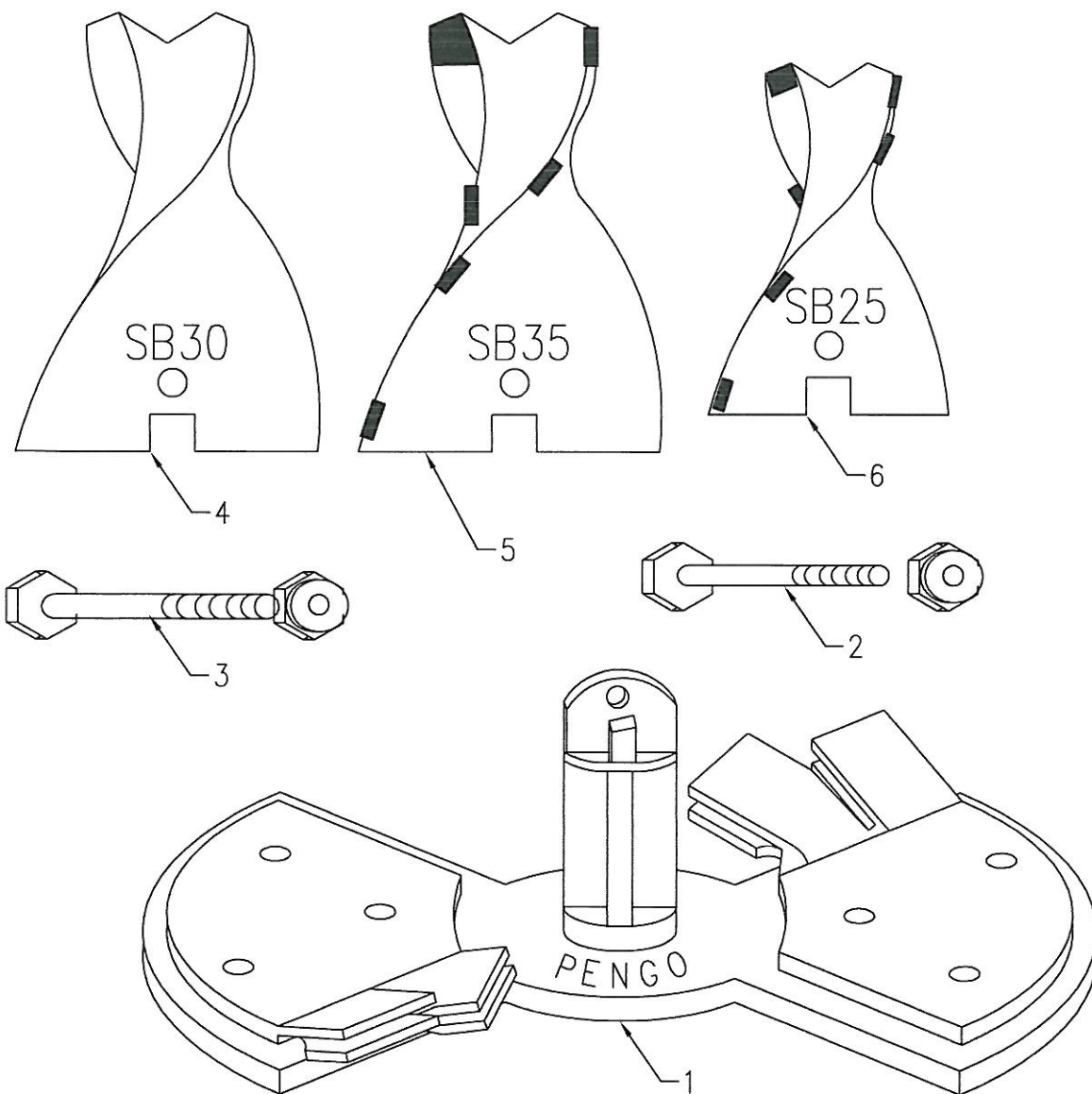
NOTE:
TO AVOID INJURY INSTALL
WITH SOFT HAMMER

TOOTH
(TOOTH IS INSERTED INTO
THE POCKET AND PRESSED
OVER THE RUBBER.
REFER PAGE 33 FOR
DIFFERENT TEETH)



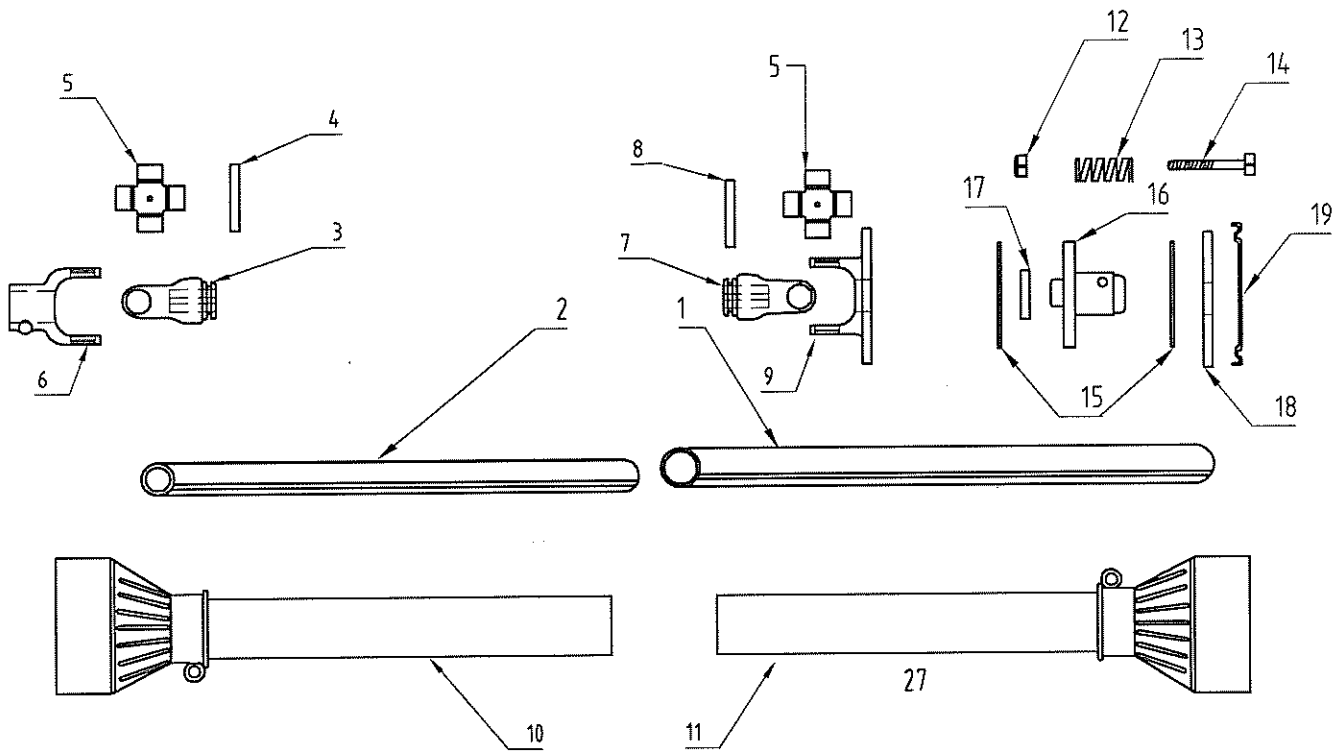
PILOTS & REPLACEMENT PARTS

ITEM No	PART No	DESCRIPTION	No OFF
1	S01933	MFT PILOT Full tungsten	1
2	S01921	EARTH PILOT Forged Standard (RH SB35 60 MOUNT)	1
3	S01922	TUNGSTEN TIPPED PILOT Tungsten Tipped	1
Not Shown	S01871	HARD FACED PILOT as T.T. but Hard Faced	1
4	S01867	DRIVE DOG for Pilot (Large) (SUIT SB35)	1
4A	S01867-1	DRIVE DOG for Pilot (Small) (SUIT SB25 & SB30)	1
5	S01928	BOLT & NUT for Pilots	1
6	S01874	POCKET for Teeth	1
7	S01918	RUBBER for Teeth	1



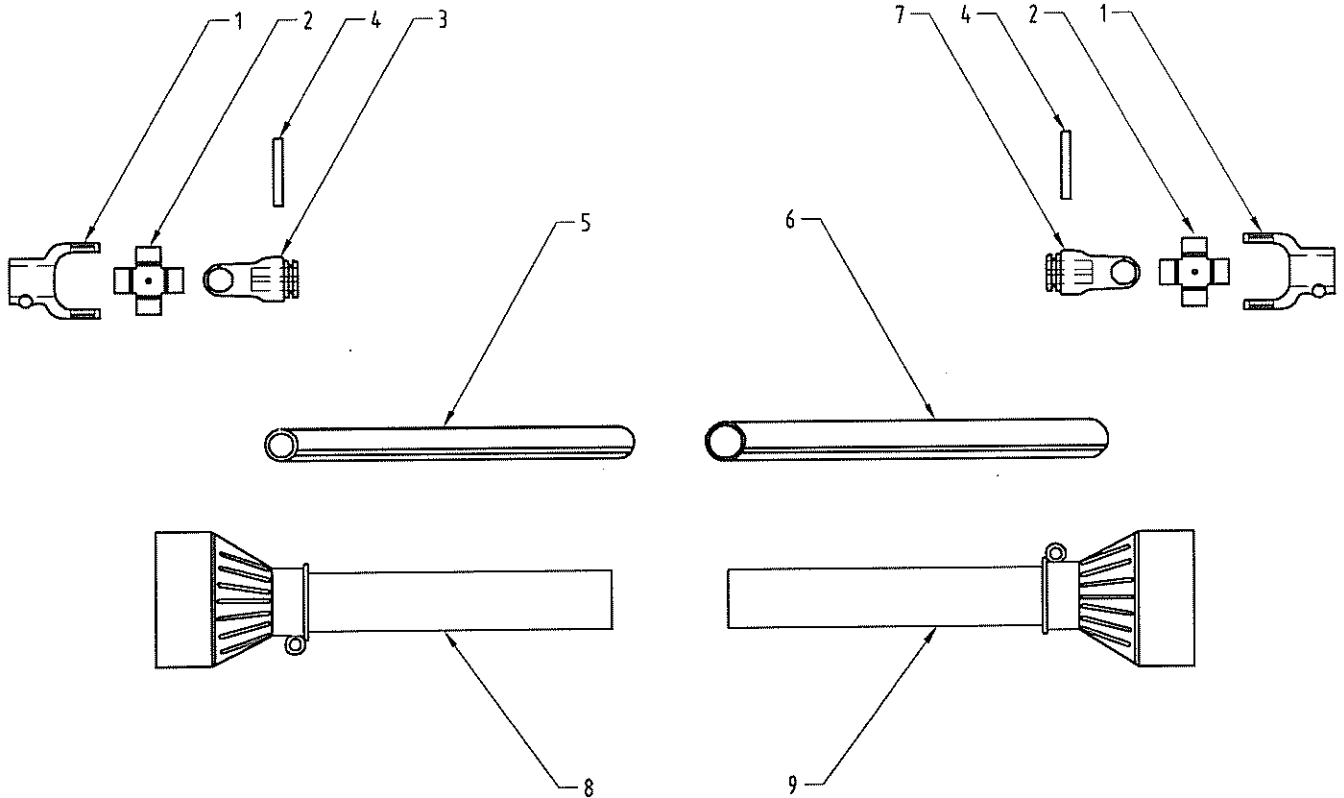
PILOTS & BORING HEAD "Pengo"

ITEM No	PART No	DESCRIPTION	No OFF
1	S2056	BORING HEAD "Pengo" (Large)	1
1A	S2056-1	BORING HEAD "Pengo" (Small)	1
2	S1814	BOLT & NUT 8mmX40 Pilot Retainer	1
3	S1813	BOLT & NUT 10mmX40 Pilot Retainer	1
4	S1819	PILOT EARTH Lge " Pengo" SB30	1
5	S1816	PILOT TUNGSTEN Lge "Pengo" SB35	1
6	S1817	PILOT TUNGSTEN Small "Pengo" SB25	1



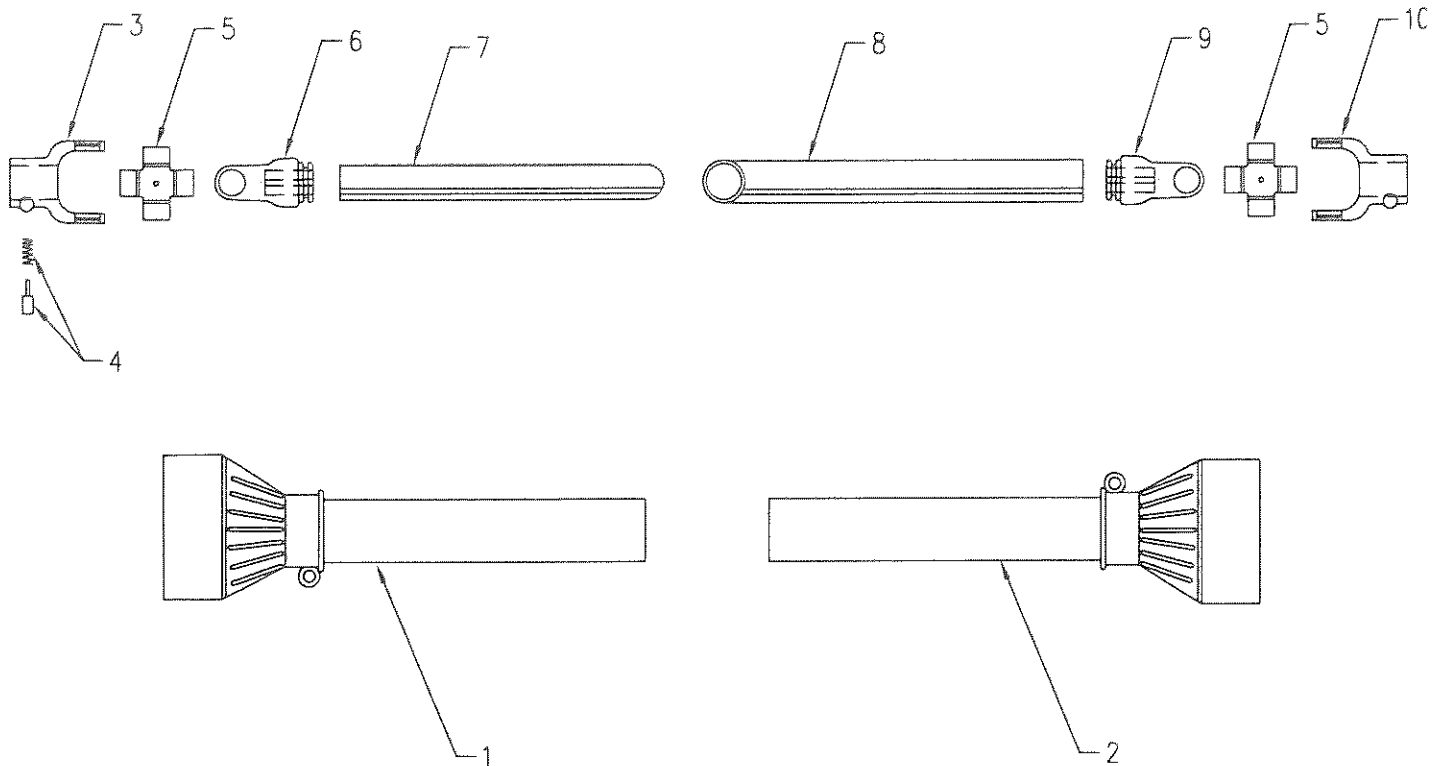
POST HOLE DIGGER DRIVESHAFT BYPY - PATTERN WITH CLUTCH

ITEM	PART No.	DESCRIPTION	No.OFF
1	S1380	DRIVESHAFT TUBE OUTER	1
2	S1379	DRIVESHAFT TUBE INNER	1
3	S1377	TUBE YOKE INNER	1
4	S1378	ROLL PIN 10 X 65	1
5	S7206	UNIVERSAL JOINT	1
6	S7212	YOKE QR. 1 3/8 X 6	1
7	S1381	TUBE YOKE OUTER	1
8	S1382	ROLL PIN 10 X 75	1
9	S1452	FLANGE YOKE	1
10	S7195	INNER TUBE COVER	1
11	S7194	OUTER TUBE COVER	1
12	S1449	LOCK NUT	8
13	S1450	SPRING	8
14	S1458	BOLT	8
15	S1453	LINING	2
16	S1455	DRIVE FLANGE HUB 1 3/8 X 6	1
17	S1454	BEARING (FLANGE HUB)	1
18	S1456	FRONT PLATE	1
19	S1457	COVER PLATE	1
20	S2169	DRIVESHAFT COMPLETE W/- CLUTCH Bypy	1



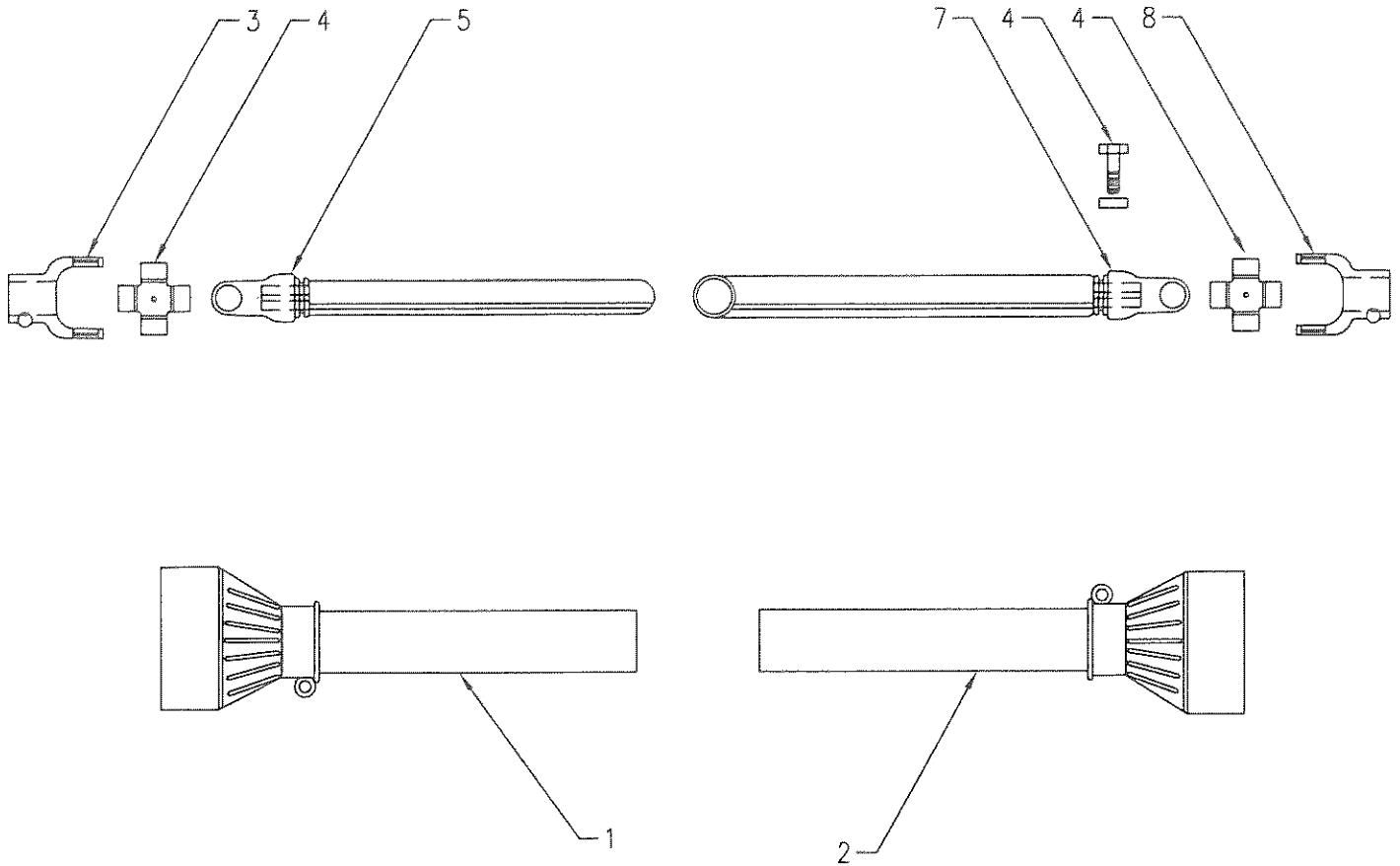
POST HOLE DIGGER DRIVESHAFT BYPY - STD

ITEM	PART No.	DESCRIPTION	No. OFF
1	S2170	1 3/8" x 6 Pline Q.R. Yoke	2
2	S2171	U Joint	2
3	S2172	Male End Yoke	1
4	S2173	Roll Pin	2
5	S2178	Male Tube	1
6	S2183	Female Tube	1
7	S2184	Female And Yoke	1
8	S2189	Male Cover Assy	1
9	S2194	Female Cover Assy	1
	S2169	Complete Driveshaft	1



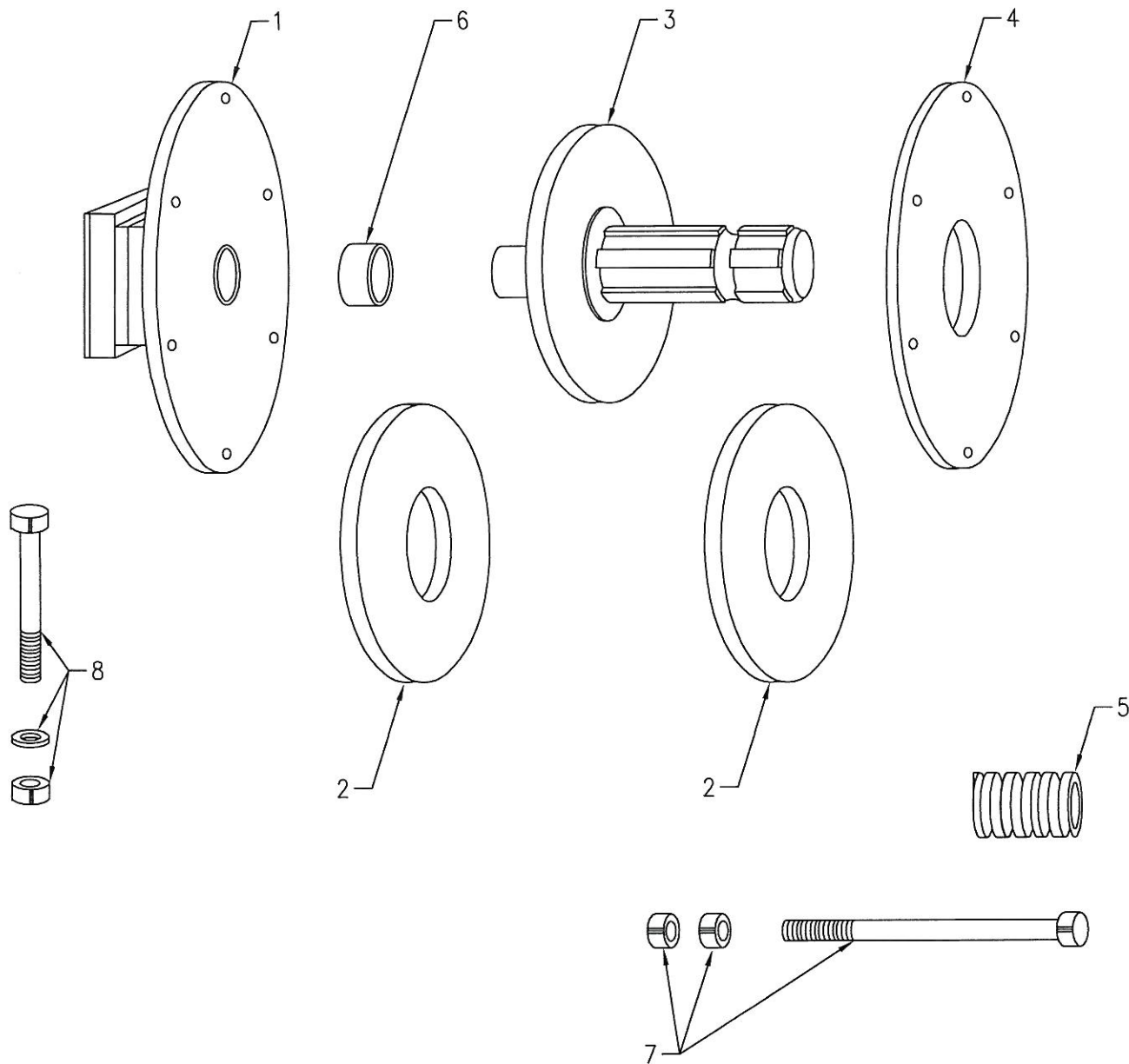
POST HOLE DIGGER DRIVESHAFT BARE-CO

ITEM	PART No.	DESCRIPTION	No. OFF
1	S07194	PLASTIC COVER OUTER ASSY	1
2	S07195	PLASTIC COVER INNER ASSY	1
3	S07212	QUICK RELEASE YOKE	1
4	S03042	QR PIN	1
5	S07206	UNIVERSAL	2
6	S01377	TUBE YOKE INNER	1
7	S01379	SHAFT INNER	1
8	S01380	SHAFT OUTER	1
9	S07183	TUBE YOKE	1
10	S01381	TUBE YOKE OUTER	1
11	S02169	DRIVESHAFT COMPLETE	1



POST HOLE DIGGER DRIVESHAFT JAYBEN (OBSOLETE SINCE SEPT'2010)

ITEM	PART No.	DESCRIPTION	No. OFF
1	S2170	Female Plastic Cover Assy	1
2	S2171	Male Plastic Cover Assy	1
3	S2172	Quick Release Yoke	1
4	S2173	Cross Pack Kit	2
5	S2178	Bar Yoke	1
	S2183	Bar Yoke Assy (5, 4, 3)	1
6	S2184	Yoke Clamp Bolt & Nut Assy	1
7	S2189	Tube Yoke	1
	S2194	Tube Yoke Assy	1
8	S2169	Yoke Clamp Type	1
		Drive Shaft Complete	1



POST HOLE DIGGER CLUTCH ASSY.

ITEM No.	PART No.	DESCRIPTION	No. OFF
1	S3129	1 3/8" x 6 SPLINE BASE ASSY. (INCLUDES BUSH)	1
1	S4022	1 1/4" ROUND BORE 1/4" KEYWAY BASE ASSY. (INCLUDES BUSH)	1
2	S3127	FRICTION DISC 5" O.D. x 1 3/4" I.D.	2
3	S3228	1 3/8" x 6 SPLINE DRIVE PLATE 5" O.D. 1 1/8" DIA SPIGOT	1
4	S3126	PRESSURE PLATE	1
5	S4100	SPRING (6 REQ.)	6
6	S4103	BUSH 1 1/8" I.D.	1
7	S4101	CLUTCH BOLT AND LOCK NUTS	6
8	S4030	CLAMP BOLT, NUT AND S'WASHER	2 per set
	S3125	CLUTCH ASSY. COMPLETE	1

Post Hole Diggers - PD8, PD12, PHD12M, PHD12H, HPHD12M, HPHD12H

WARRANTY

Your Superior Product is covered by **Manufacturers Warranty of 180 days** against faulty parts and or workmanship. Warranty does not cover operator abuse, or damage to the cutting head assembly (head flats, blades etc.) Should a warranty type problem develop with your new Slasher **contact your local dealer** who will refer the problem to SUPERIOR EQUIPMENT. Items for any warranty inspection must be **forwarded on a pre-paid basis**. Goods supplied are on a charge basis, subject to warranty inspection.

OWNERS NOTES

Model _____

Serial No. _____

Lubrication Dates _____

Spare Part References
