

INDEX

	PAGE
CORPORATE PHILOSOPHY	1
OPERATIONAL SAFETY INSTRUCTIONS	2 - 4
OPERATION, CARE & MAINTENANCE SCHEDULE	5
MAIN FRAME ASSEMBLY	6
MAIN FRAME ASSEMBLY - OPTIONAL	7
AXLE - OPTIONAL	8
WHEEL - OPTIONAL	9
OWNERS NOTES	10

OPERATING INSTRUCTION

ATTACHING TO TRACTOR :

Make sure Aerator is on level ground and is sitting on stands supplied.

Line up tractor bottom linkage arms and reverse tractor close to Aerator.

Remove TPL Pins from Aerator, Stand well clear of aerator, reverse tractor so linkage arms slide into TPL bracket and attach Tractor Bottom linkage arms to Aerator with TPL pin.

Connect Top Link Arm to top TPL position with pin.

Raise Aerator off ground using tractor TPL.

Remove "R" clip from stands, remove stands from holders & turn upside down in holders and replace "R" clip in stands.

DETACH FROM TRACTOR (IN REVERSE to ABOVE)

OPERATION OF AERATOR

Aerator penetration will depend upon how hard the ground is. Weights of some description may need to be used on very hard ground.

Caution using EXTREME WEIGHTS may cause bending of main spindle if Aerator contacts any underground obstacles.

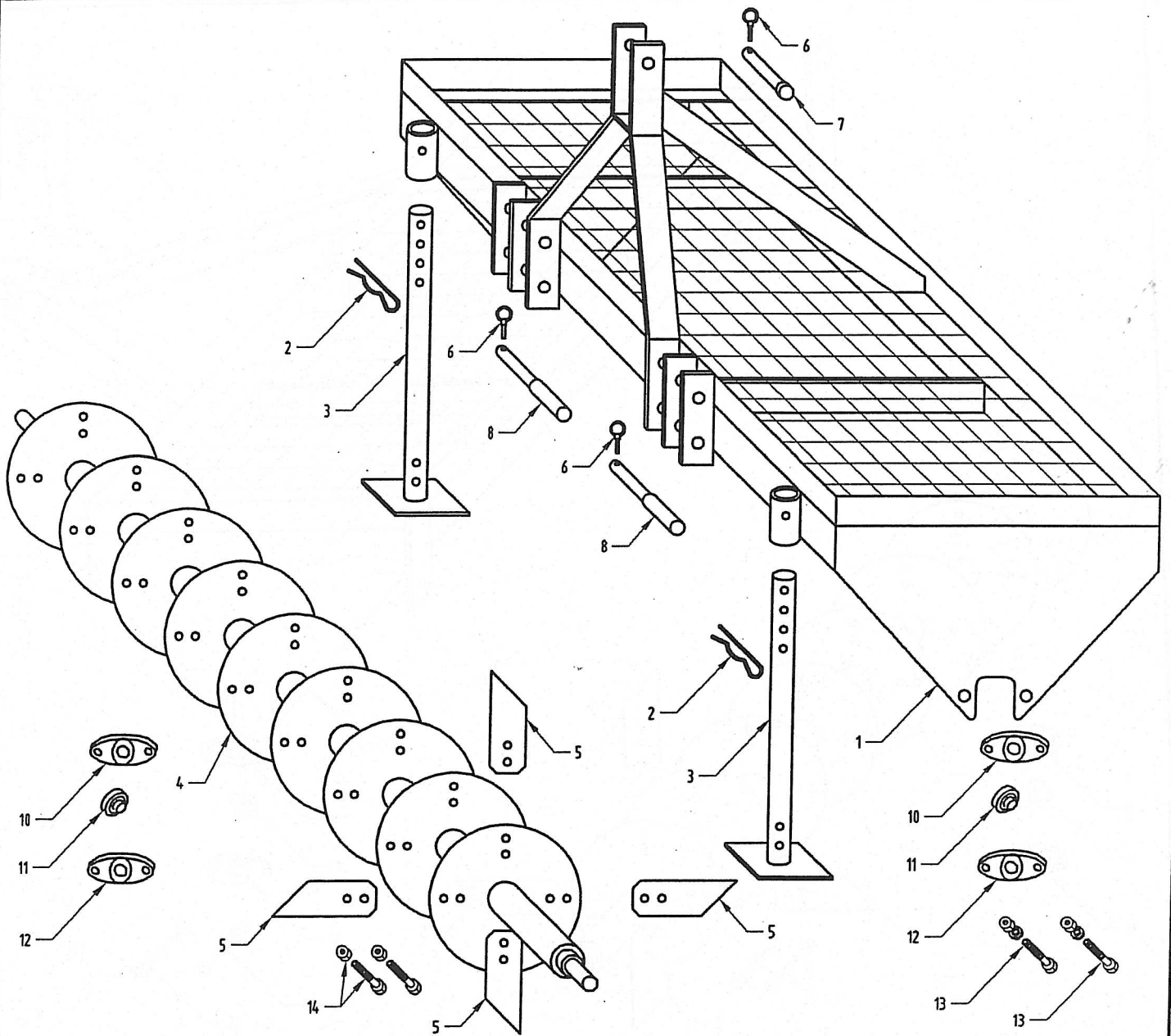
Aerator must only be used in a straight line, if turning occurs whilst the aerator is engaged in the ground, **BLADE BREAKAGE** will occur.

Lift the Aerator clear of the ground before turning at the end of a run.

Checking of Blade bolts and nuts, Spindle bearing bolts and nuts need to be done after first 2 hours, and daily thereafter.

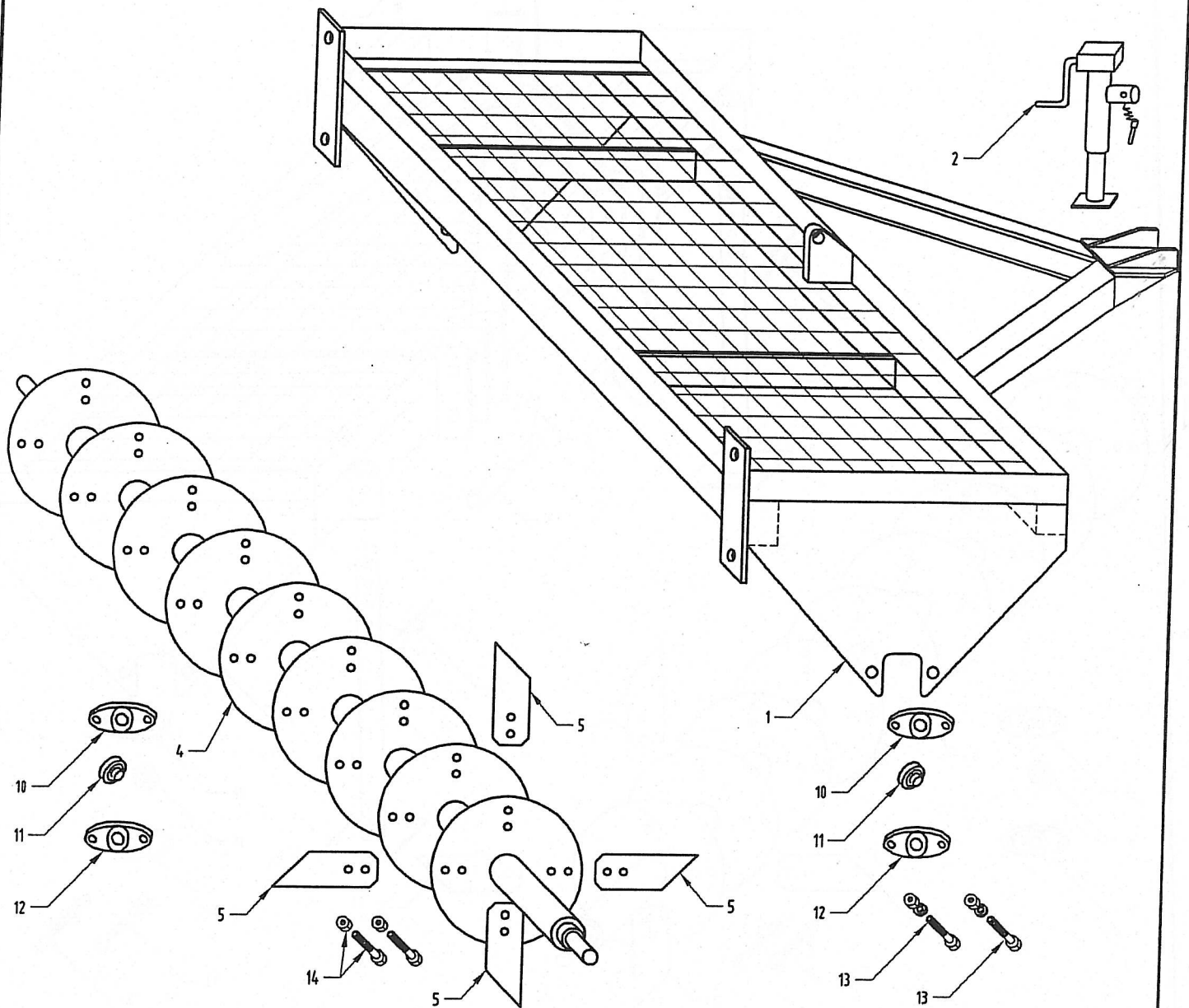
Grease Spindle bearings daily....***Multi Purpose Grease***

Preventive Maintenance is critical to the longevity of this equipment, Blade wear will depend upon soil conditions(sandy abrasive soils means high wear ... Clay type soils are less abrasive low wear)



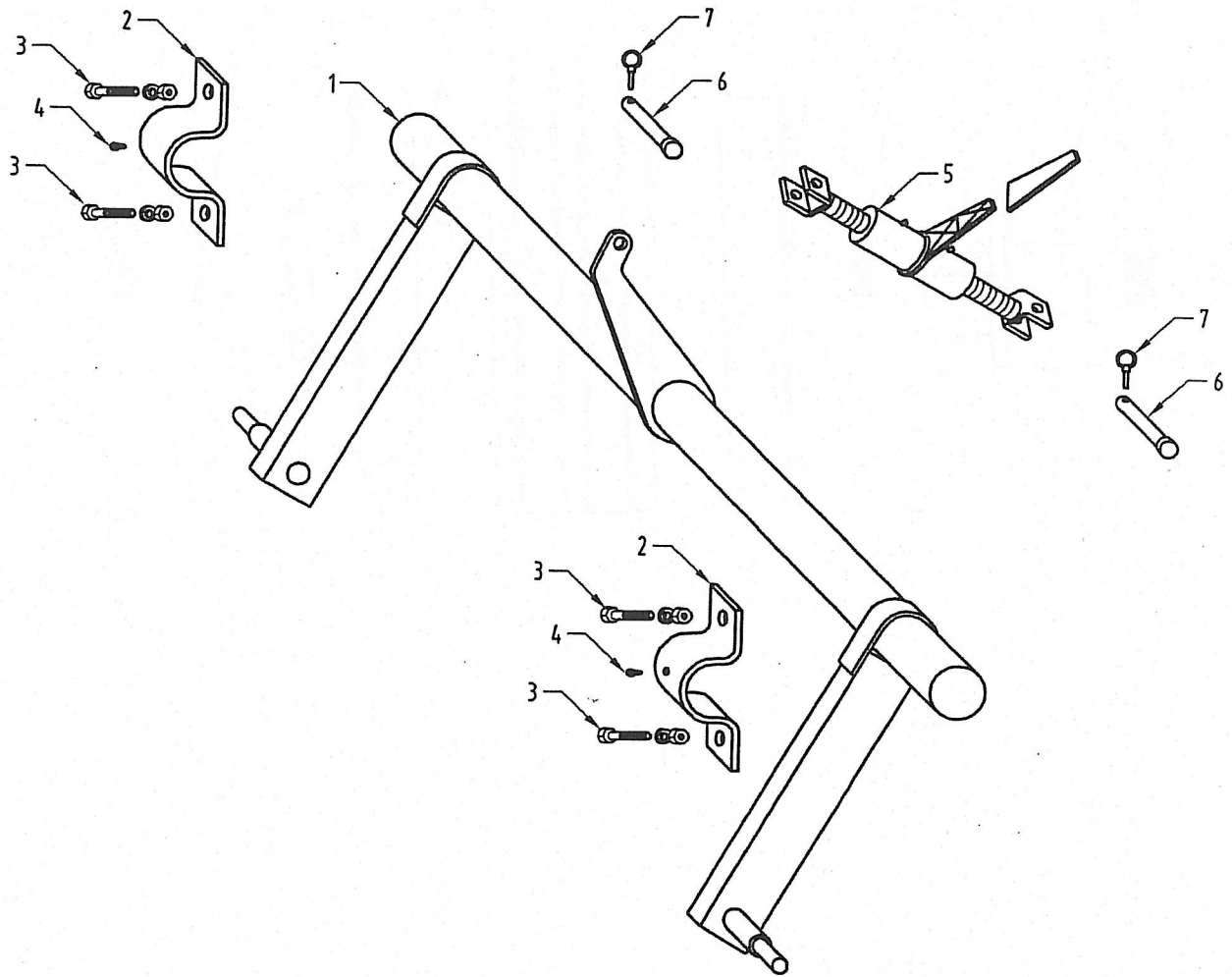
MAIN BODY - TURF AERATORS

ITEM No.	PART No. TA120	PART No. TA150	PART No. TA180	PART No. TA210	PART No. TA240	DESCRIPTION	QTY. OFF
1	S7910	S7908	S7901	S7924	S7925	MAIN FRAME	1
2	S2251	S2251	S2251	S2251	S2251	R - CLIP	4
3	S7906	S7906	S7906	S7906	S7906	STAND	4
4	S7914	S7915	S7916	S7917	S7914	SPINDLE ASSY	1 & 2 PER 7'&8'
5	S7920	S7920	S7920	S7920	S7920	BLADE	As Req.
6	S4011	S4011	S4011	S4011	S4011	LYNCH PIN	2
7	S4133	S4133	S4133	S4133	S4133	TOWER T.P.L. PIN	1
8	S7008	S7008	S7008	S7008	S7008	T.P.L. PIN	1
9	S7909	S7907	S7900	S7923	S7921	COMPLETE MACHINE	1
10	S1609	S1609	S1609	S1609	S1609	BEARING HOUSING	2 & 3 PER 7'&8'
11	S1608	S1608	S1608	S1608	S1608	BEARING	2 & 3 PER 7'&8'
12	S1607	S1607	S1607	S1607	S1607	BEARING ASSEMBLY COMPLETE	2 & 3 PER 7'&8'
13	S3342	S3342	S3342	S3342	S3342	BOLT AND NUT	4
14	S3536	S3536	S3536	S3536	S3536	BOLT, NUT & SPRING WASHER	2 PER



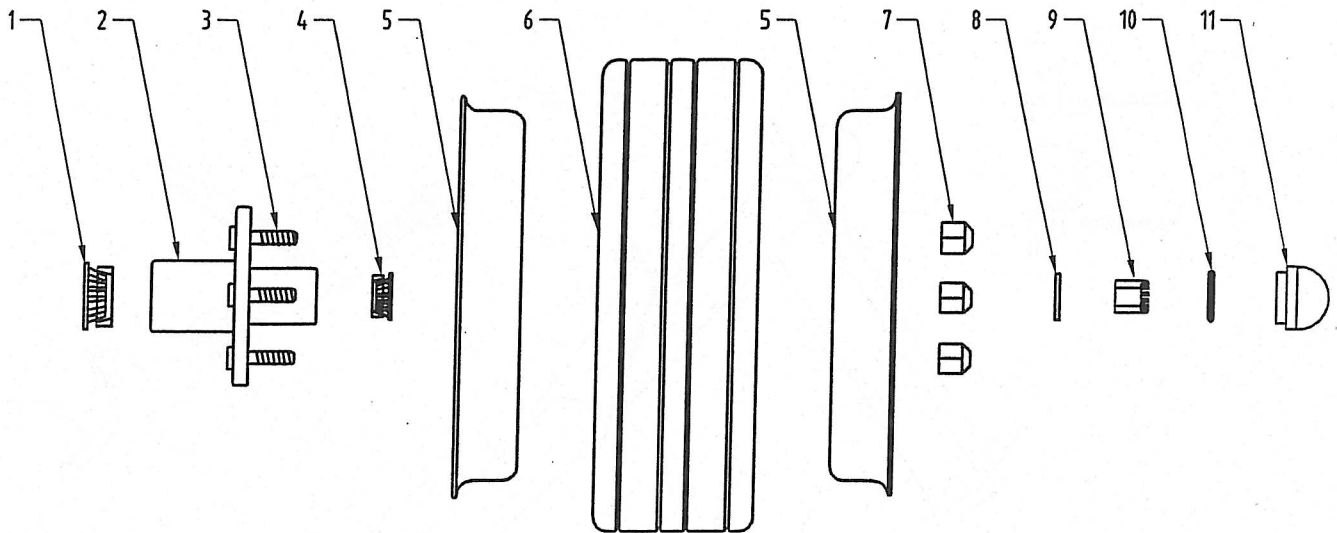
MAIN BODY - TURF AERATORS - (OPTIONAL)

ITEM No.	PART No. TA120	PART No. TA150	PART No. TA180	PART No. TA210	PART No. TA240	DESCRIPTION	QTY. OFF
1	S7910-1	S7908-1	S7901-1	S7924-1	S7925-1	MAIN FRAME	1
2	S1796	S1796	S1796	S1796	S1796	JACK & HANDLE ASSY.	1
4	S7914	S7915	S7916	S7917	S7914	SPINDLE ASSY	1 & 2 PER 7'&8'
5	S7920	S7920	S7920	S7920	S7920	BLADE	As Req.
9	S7909-1	S7907-1	S7900-1	S7923-1	S7921-1	COMPLETE MACHINE	1
10	S1609	S1609	S1609	S1609	S1609	BEARING HOUSING	2 & 3 PER 7'&8'
11	S1608	S1608	S1608	S1608	S1608	BEARING	2 & 3 PER 7'&8'
12	S1607	S1607	S1607	S1607	S1607	BEARING ASSEMBLY COMPLETE	2 & 3 PER 7'&8'
13	S3342	S3342	S3342	S3342	S3342	BOLT AND NUT	4
14	S3536	S3536	S3536	S3536	S3536	BOLT, NUT & SPRING WASHER	2 PER



AXLE - TURF AERATORS - (OPTIONAL)

ITEM No.	PART No. TA120	PART No. TA150	PART No. TA180	PART No. TA210	PART No. TA240	DESCRIPTION	QTY. OFF
1	S7926	S7927	S7928	S7929	S7930	AXLE	1
2	S2234	S2234	S2234	S2234	S2234	SADLE PLATE	2
3	S3551	S3551	S3551	S3551	S3551	BOLT, WASHER, NUT	4
4	S4085	S4085	S4085	S4085	S4085	GREASE NIPLE	2
5	S4893	S4893	S4893	S4893	S4893	RATCHET JACK	1
6	S4133	S4133	S4133	S4133	S4133	PIN	2
7	S4011	S4011	S4011	S4011	S4011	LYNCH PIN	2



WHEEL - TURF AERATORS - (OPTIONAL) SOLID RUBBER WHEEL

ITEM No.	PART No.	DESCRIPTION	QTY. OFF.
	S4075	SOLID RUBBER WHEEL COMPLETE 400 X 8	1
1	S2223	HUB BEARING INNER	1
2	S2224	WHEEL HUB - 5 STUD	1
3	S2157	STUDS	1
4	S2229	HUB BEARING OUTER	5
5	S5078	SPLIT RIM W/- STUDS	1
5	S5079	SPLIT RIM W/- NO STUDS	1
6	S5077	SOLID TYRE	1
7	S2158	WHEEL NUT	5
8	S2230	HUB BEARING WASHER	1
9	S2231	HUB SLOTTED NUT	1
10	S2233	HUB COTTER PIN	1
11	S2232	WHEEL HUB DUST CAP	1

WARRANTY

Your Superior Product is covered by **Manufacturers Warranty of 180 days** against faulty parts and or workmanship. Warranty does not cover operator abuse, or damage to the cutting head assembly (head flats, blades etc.) Should a warranty type problem develop with your new Slasher **contact your local dealer** who will refer the problem to SUPERIOR EQUIPMENT. Items for any warranty inspection must be **forwarded on a pre-paid basis. Goods supplied are on a charge basis, subject to warranty inspection.**

OWNERS NOTES

Model _____

Serial No. _____

Lubrication Dates _____

Spare Part References
